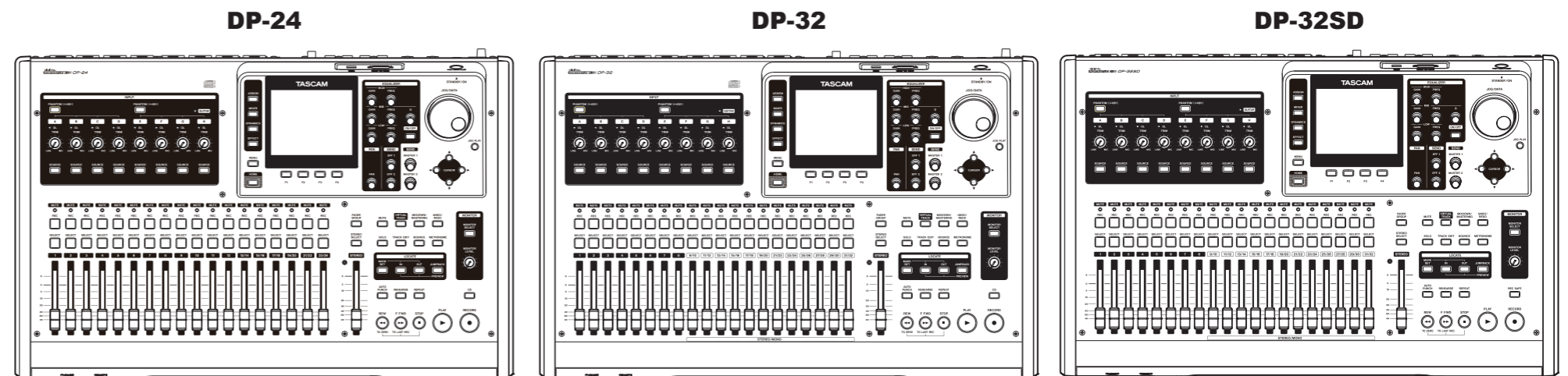
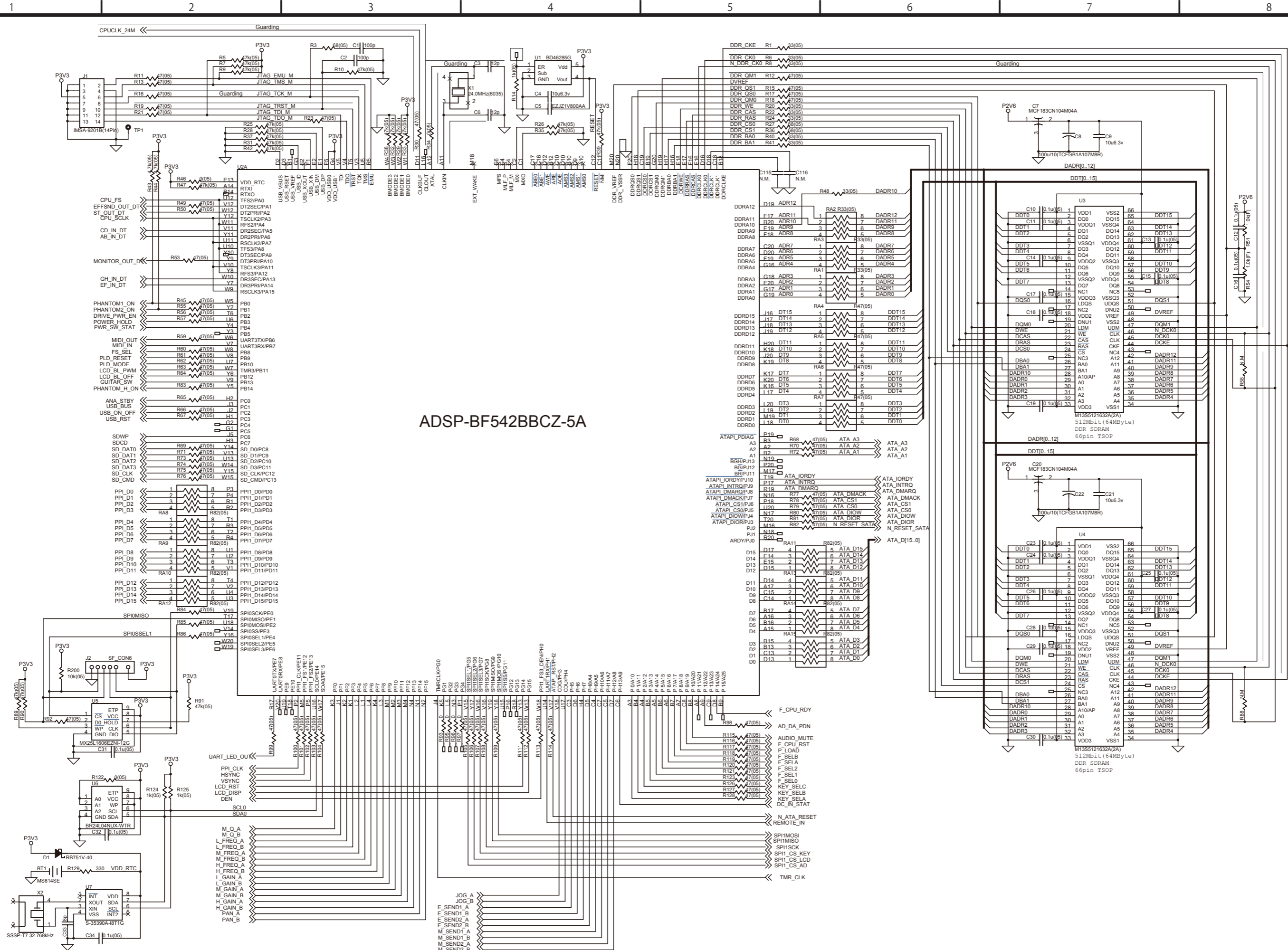
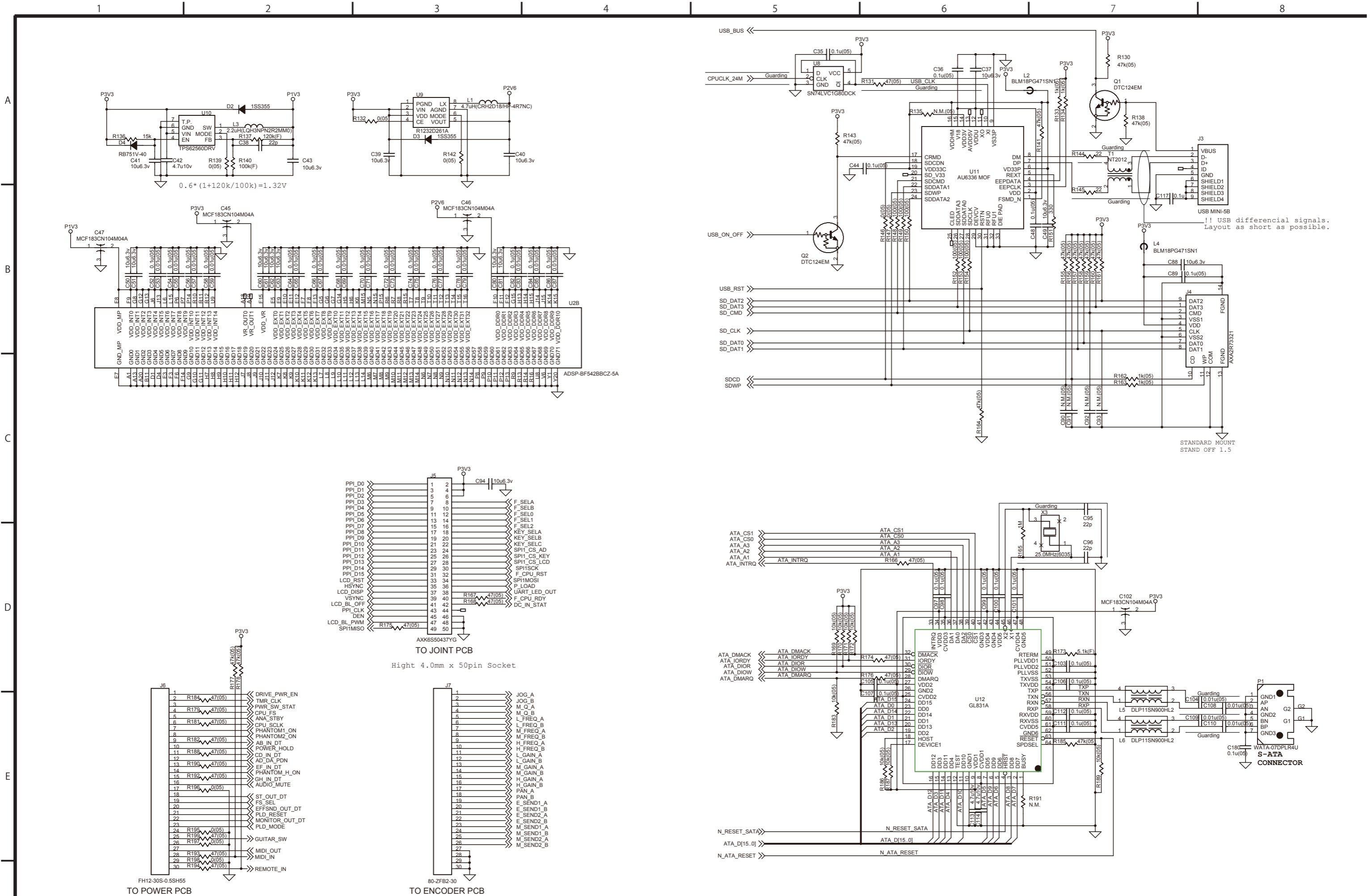


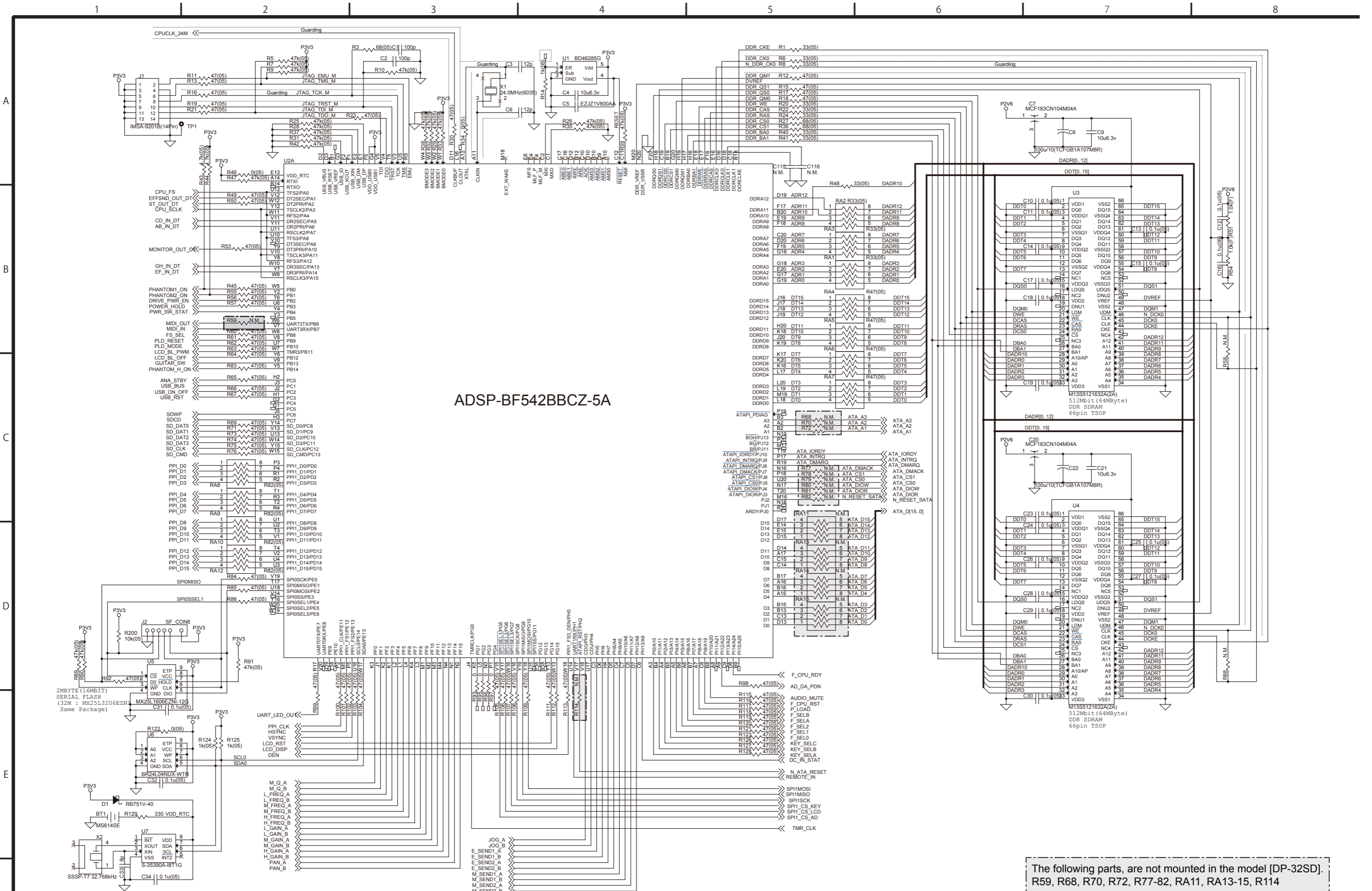
CONTENTS 目次

MAIN PCB DP-24 (1/2).....	2
MAIN PCB DP-24 (2/2).....	3
MAIN PCB DP-32/32SD (1/2)	4
MAIN PCB DP-32/32SD (2/2)	5
AUDIO PCB DP-24/32/32SD (1/4)	6
AUDIO PCB DP-24/32/32SD (2/4)	7
AUDIO PCB DP-24/32/32SD (3/4)	8
AUDIO PCB DP-24/32/32SD (4/4)	9
POWER PCB (JOG PCB) DP-24/32 (1/5).....	10
POWER PCB DP-24/32 (2/5)	11
POWER PCB (REMOTE PCB/PHONE PCB) DP-24/32 (3/5).....	12
POWER PCB DP-24/32 (4/5)	13
POWER PCB DP-24/32 (5/5)	14
POWER PCB (JOG PCB) DP-32SD (1/5).....	15
POWER PCB DP-32SD (2/5)	16
POWER PCB (REMOTE PCB/PHONE PCB) DP-32SD (3/5).....	17
POWER PCB DP-32SD (4/5)	18
POWER PCB DP-32SD (5/5)	19
JOINT PCB DP-24/32/32SD (1/2).....	20
JOINT PCB DP-24/32/32SD (2/2).....	21
INPUT PCB DP-24/32/32SD.....	22
PANEL L PCB DP-24 (1/3).....	23
PANEL L PCB DP-24 (2/3).....	24
PANEL L PCB DP-24 (3/3).....	25
PANEL L PCB DP-32/32SD (1/3)	26
PANEL L PCB DP-32/32SD (2/3)	27
PANEL L PCB DP-32/32SD (3/3)	28
PANEL R PCB DP-24/32/32SD (1/2)	29
PANEL R PCB DP-24/32/32SD (2/2)	30
ENCODER PCB DP-24/32/32SD (1/2).....	31
ENCODER PCB DP-24/32/32SD (2/2).....	32

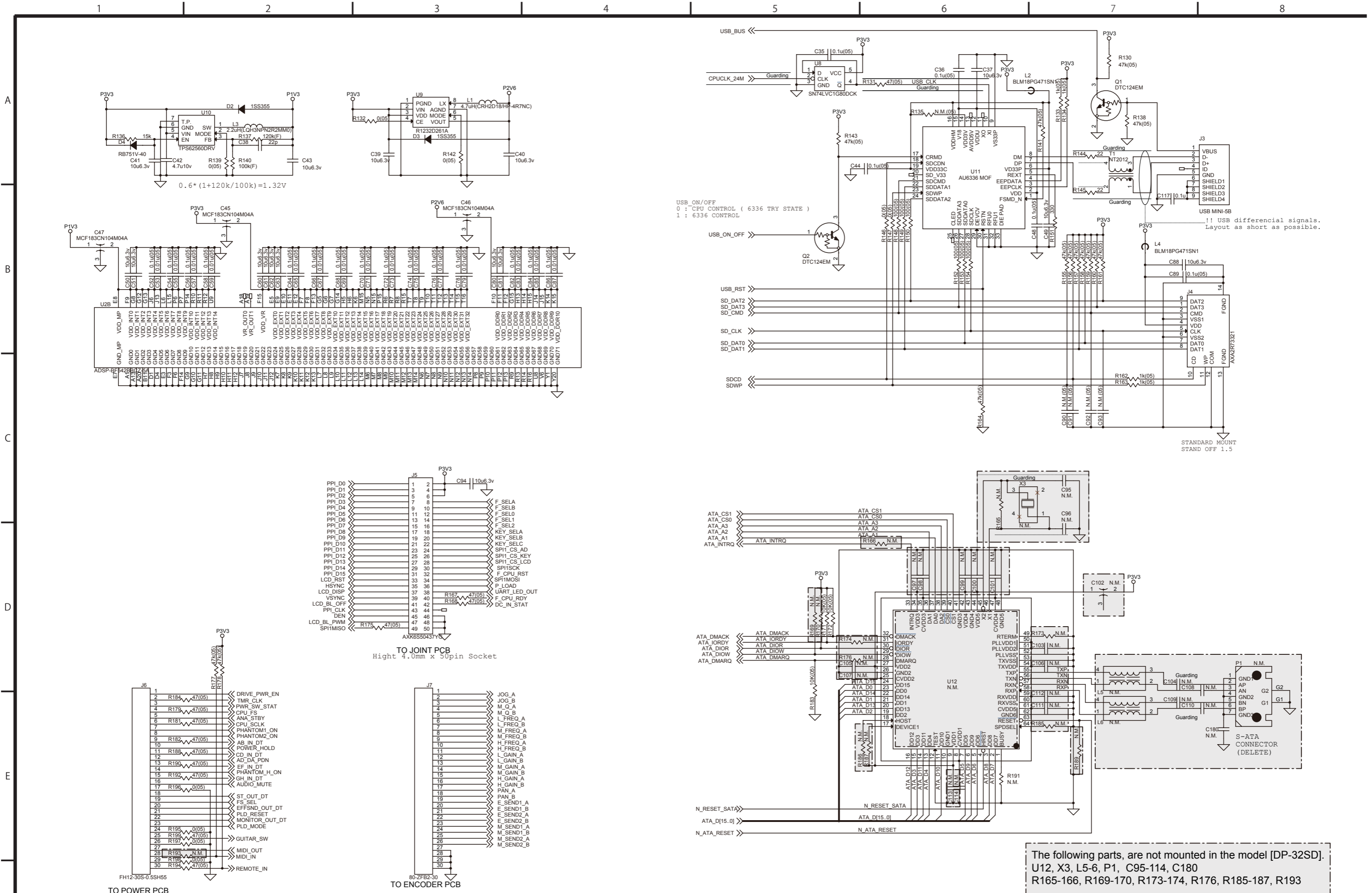


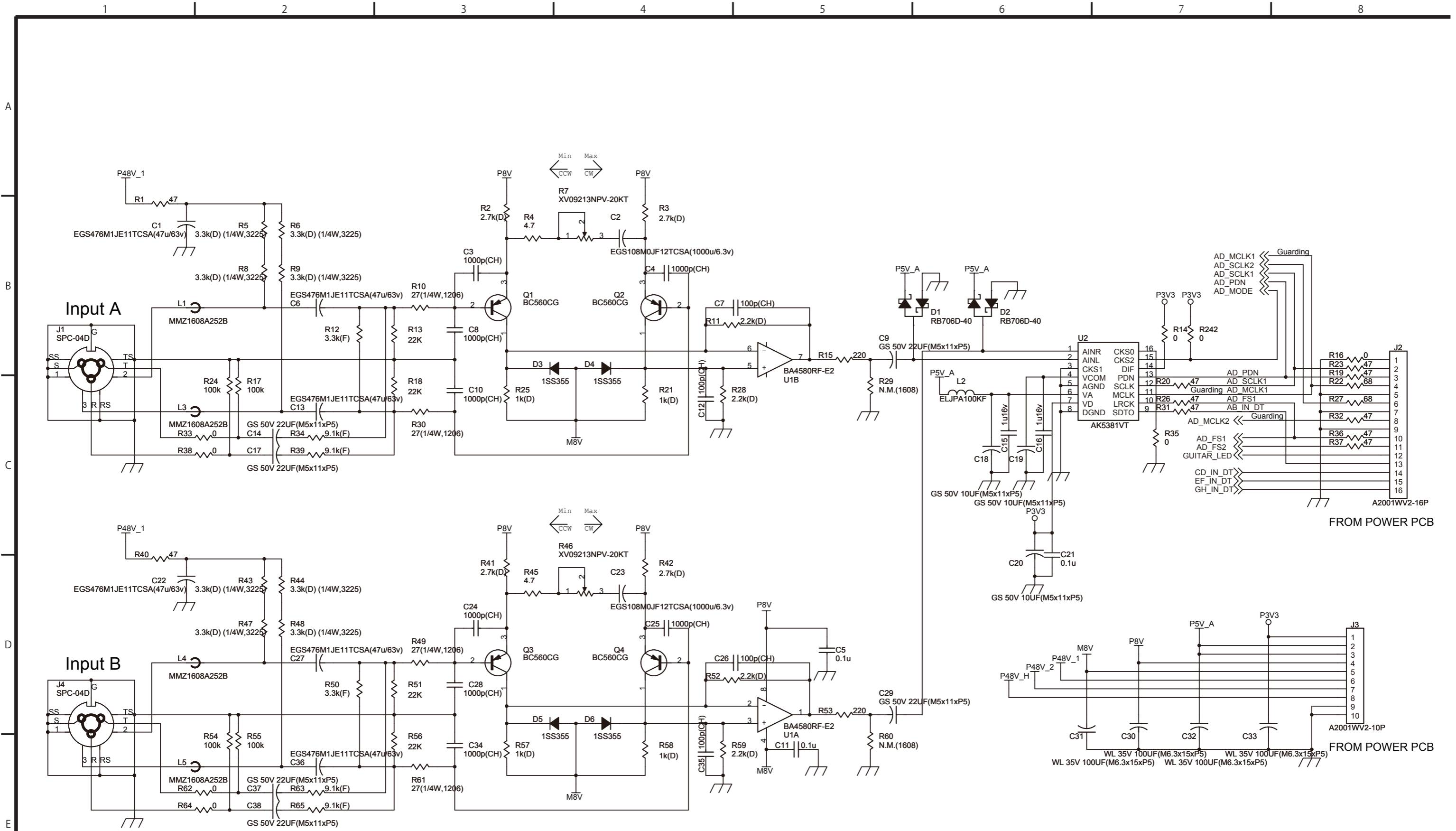






The following parts, are not mounted in the model [DP-32SD].
R59, R68, R70, R72, R77-82, RA11, RA13-15, R114





1 2 3 4 5 6 7 8

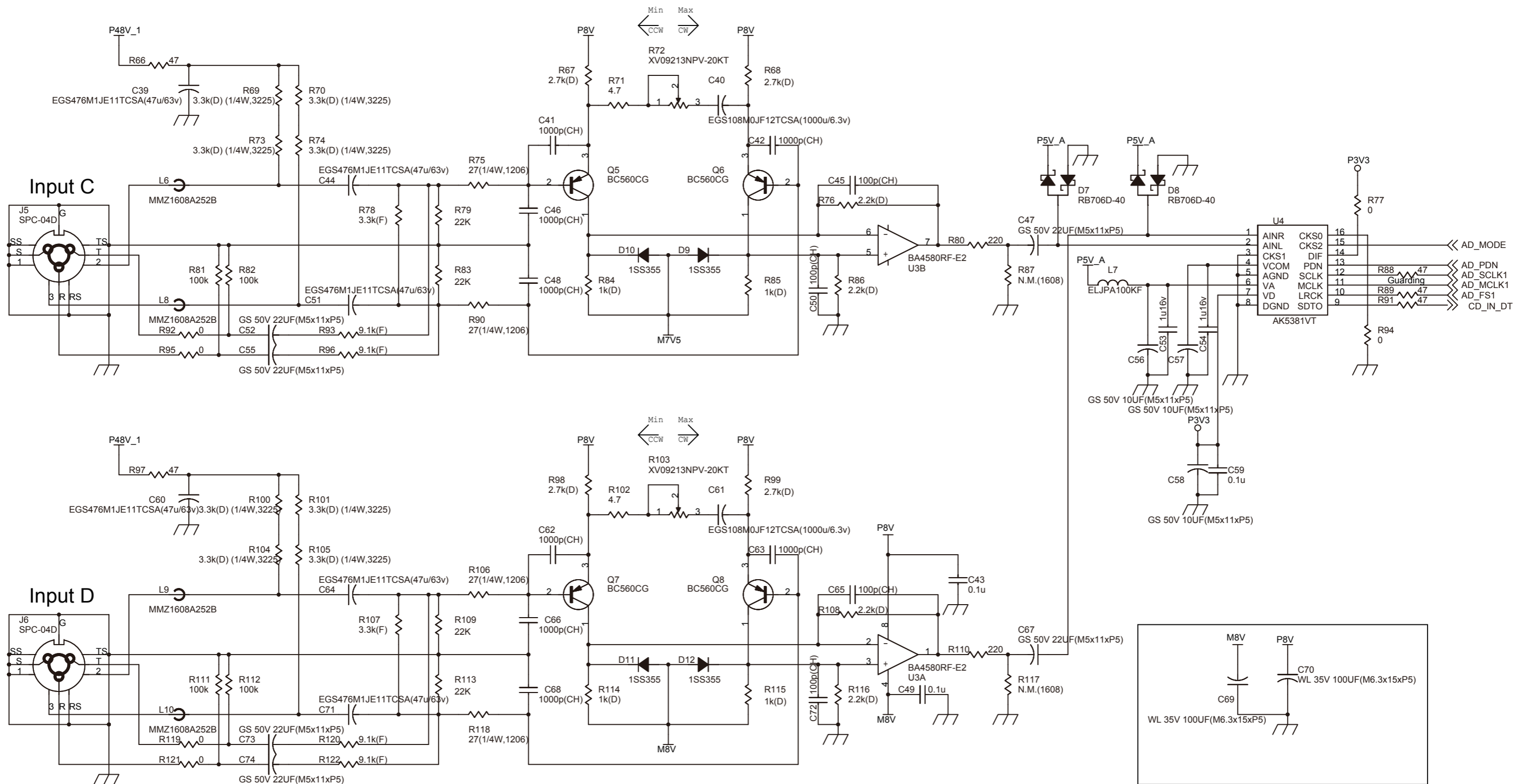
A

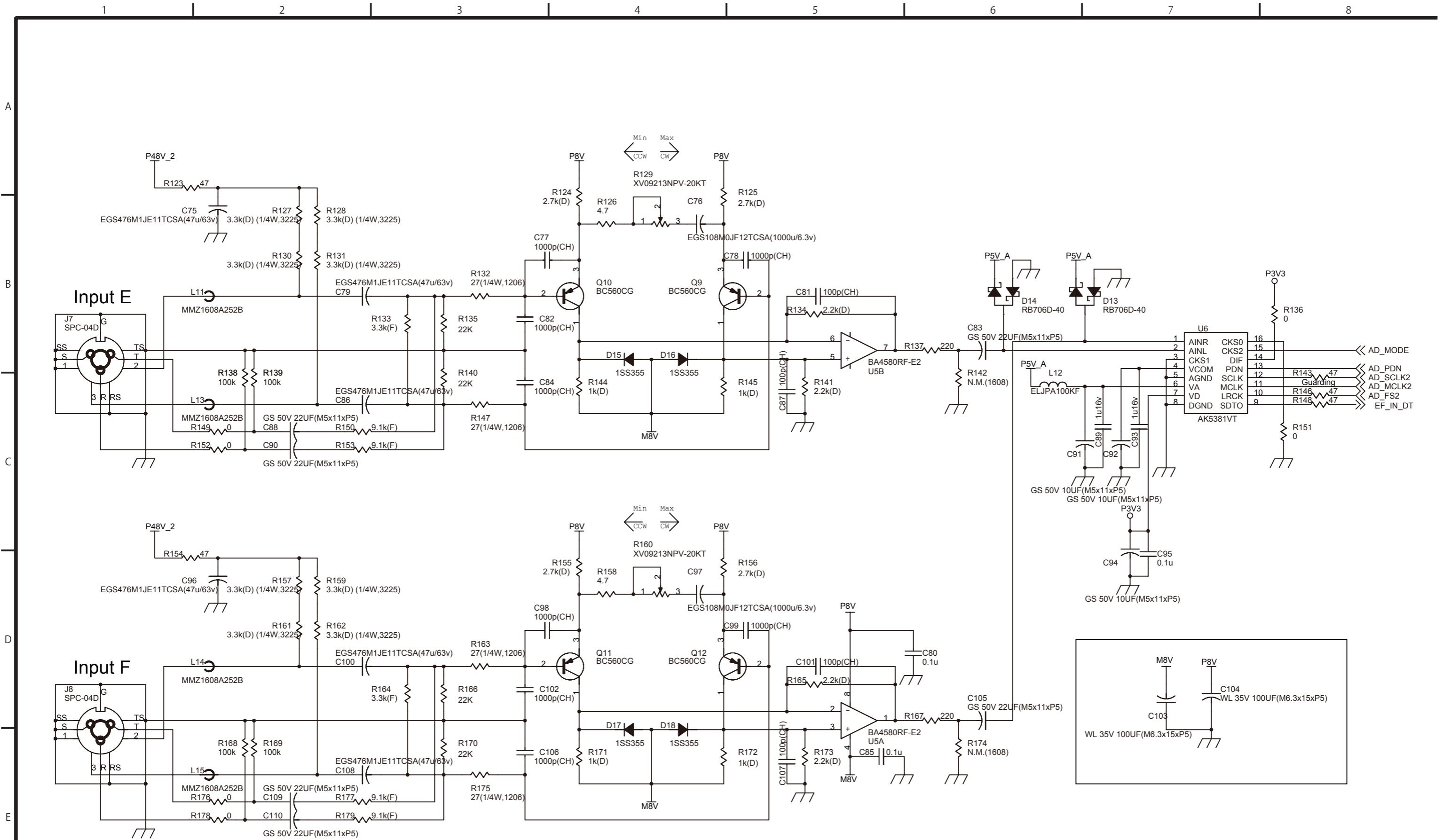
B

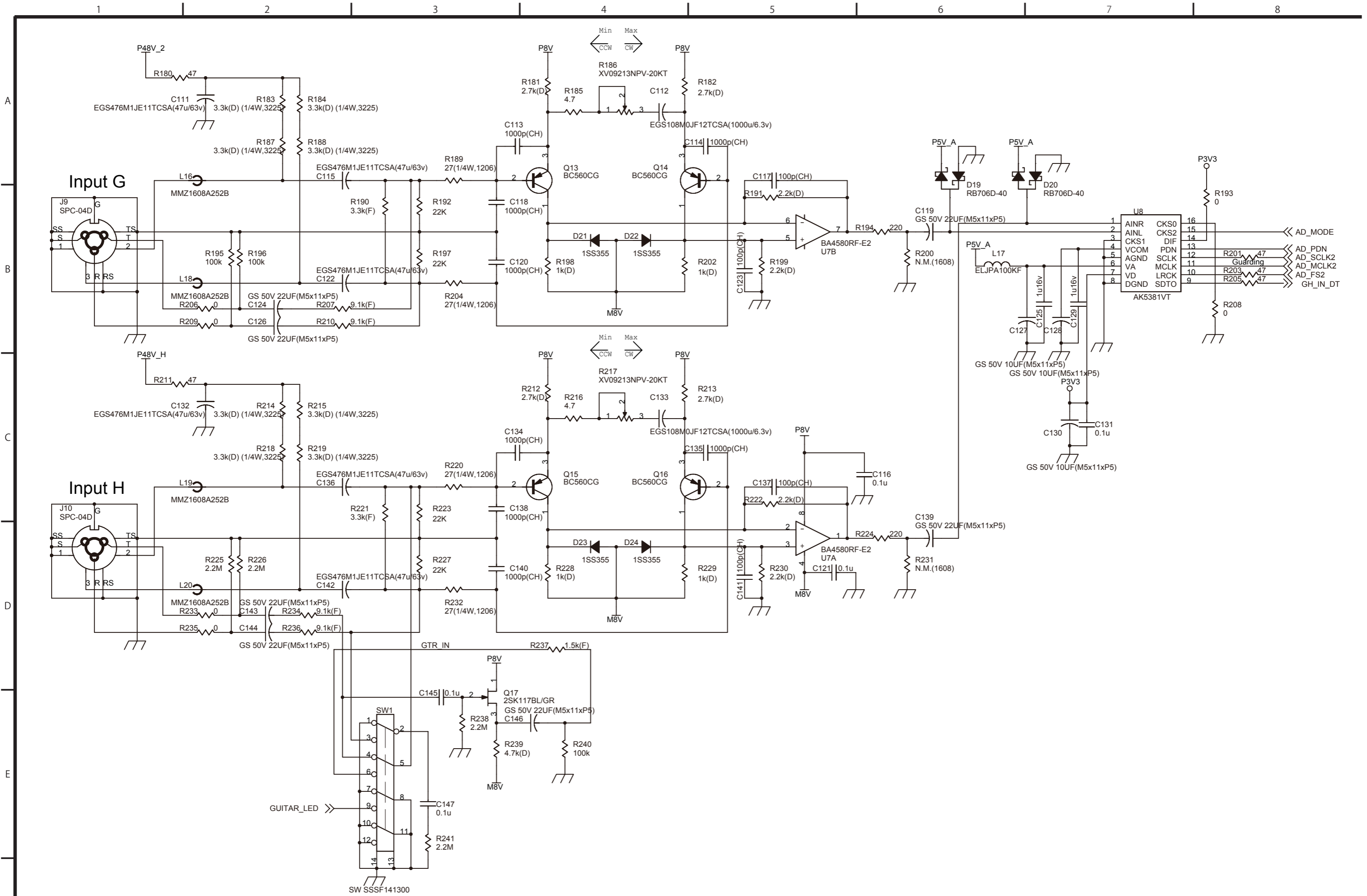
C

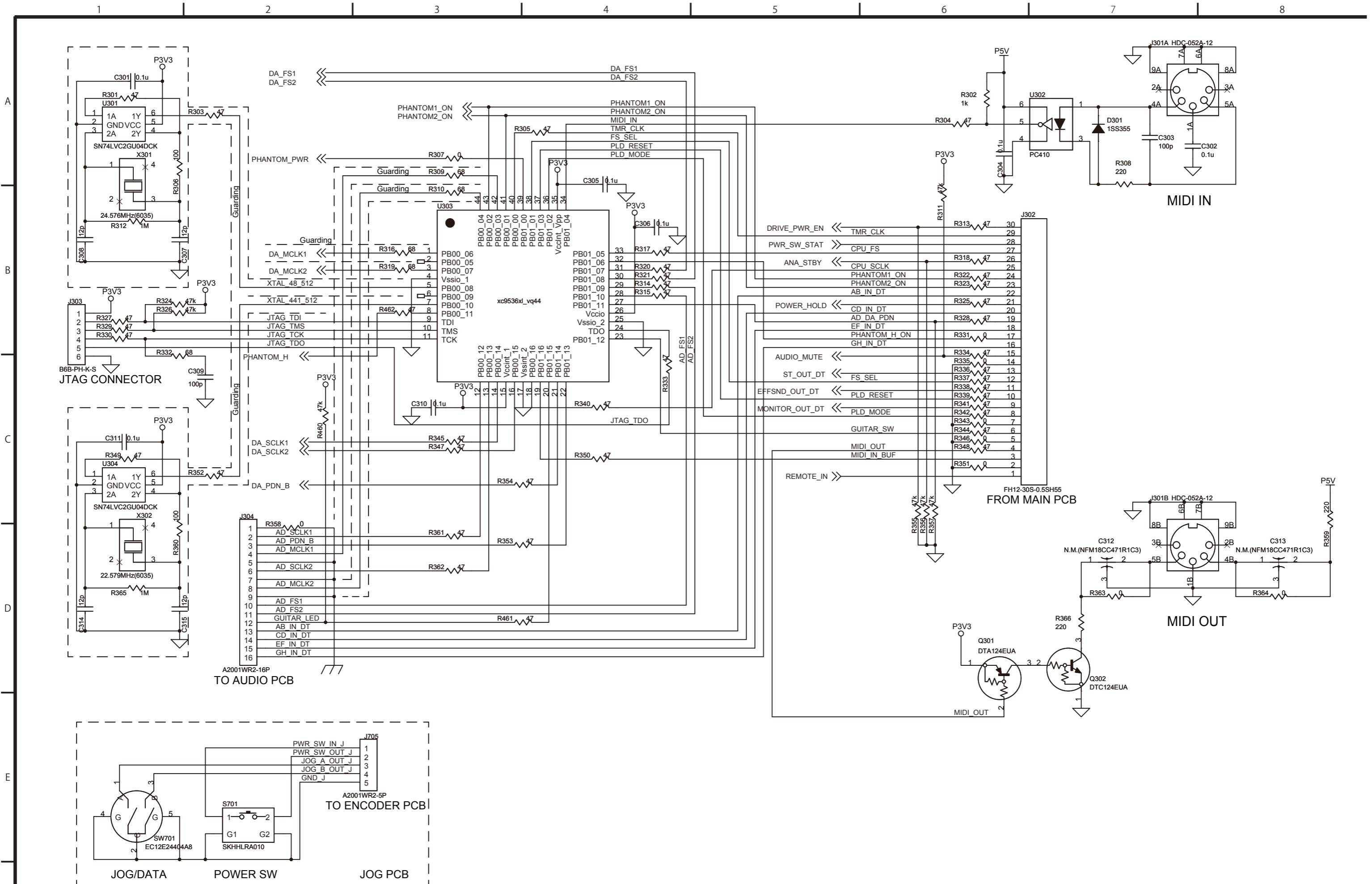
D

E









1 2 3 4 5 6 7 8

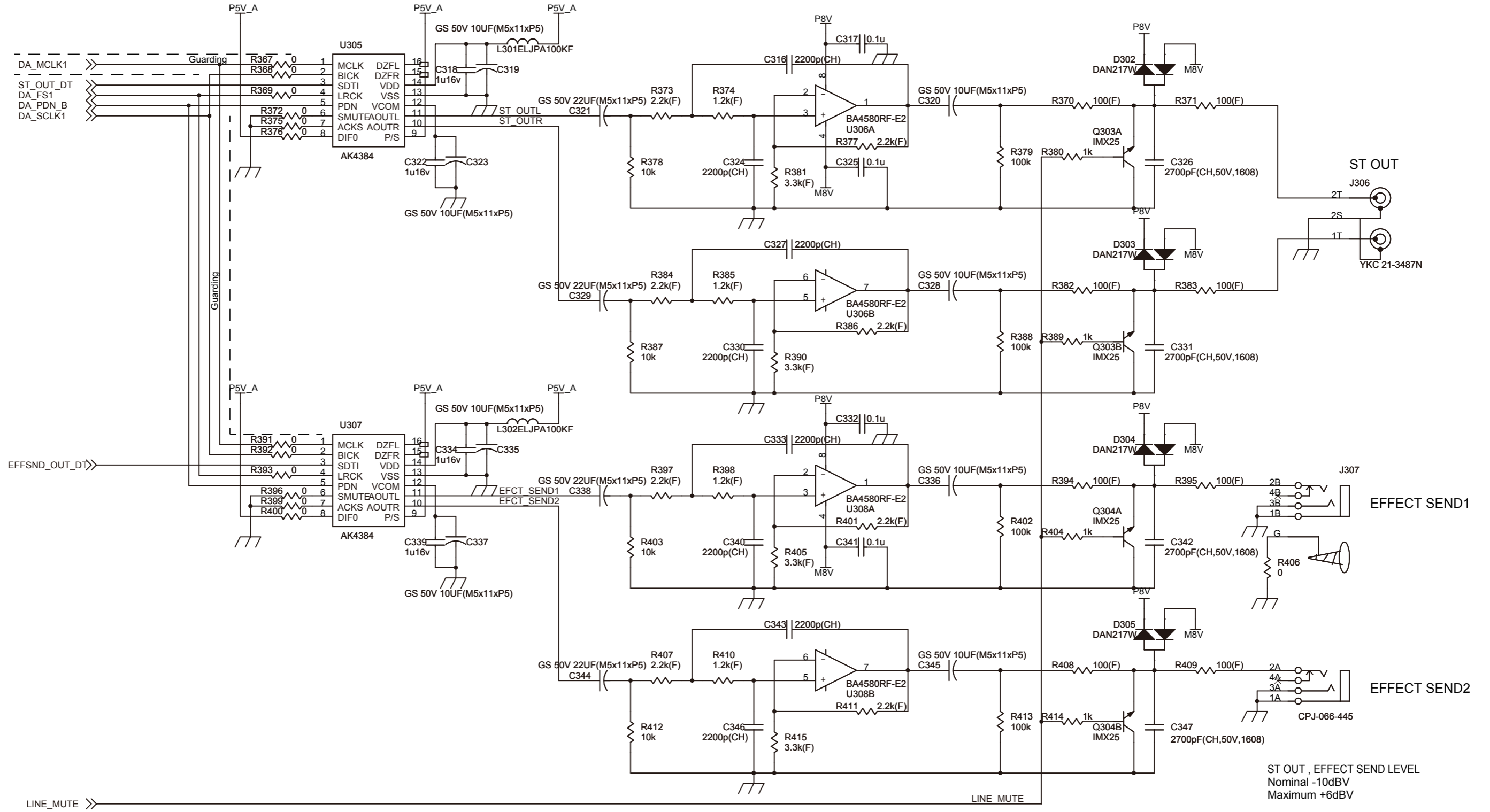
A

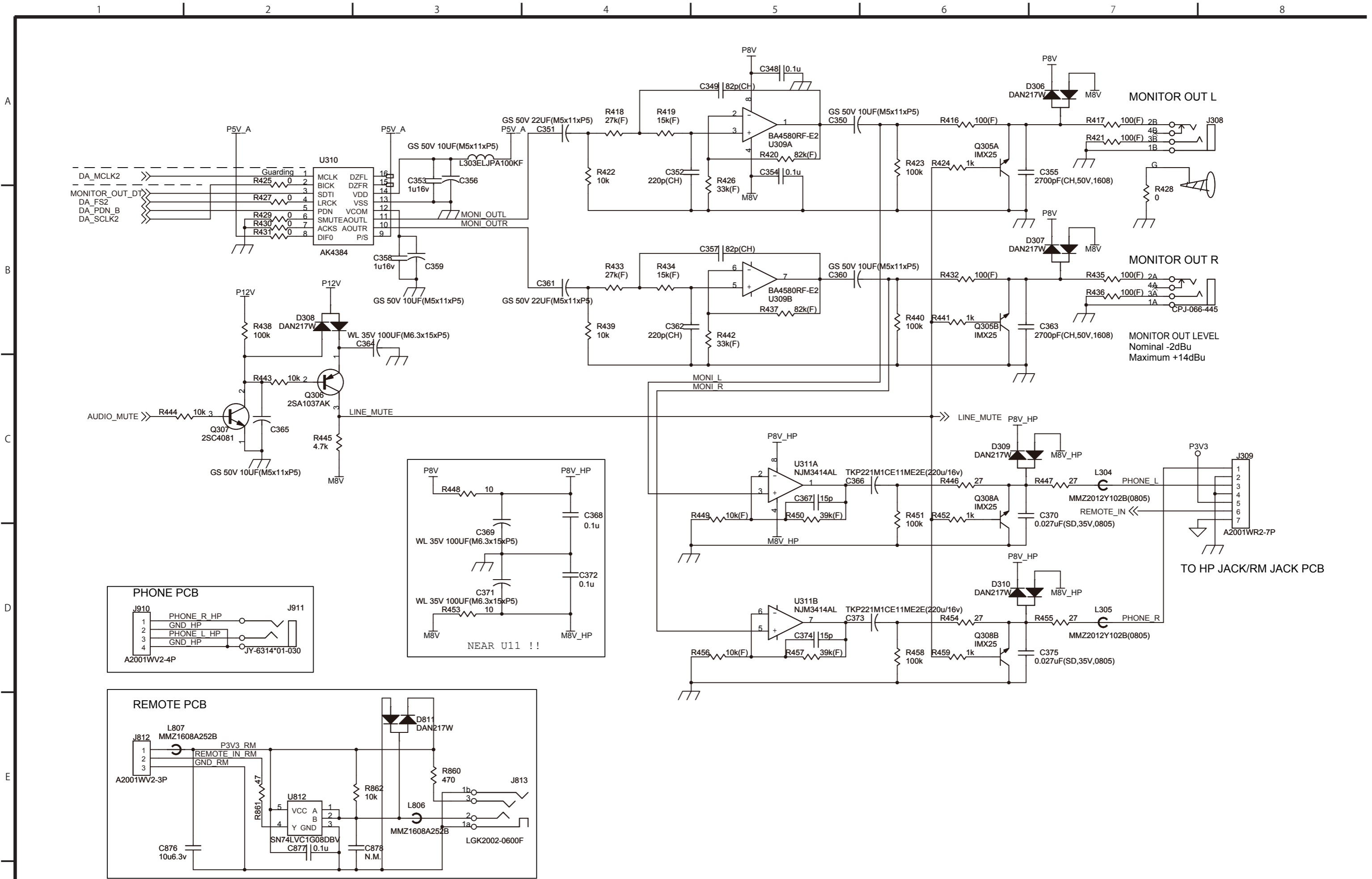
B

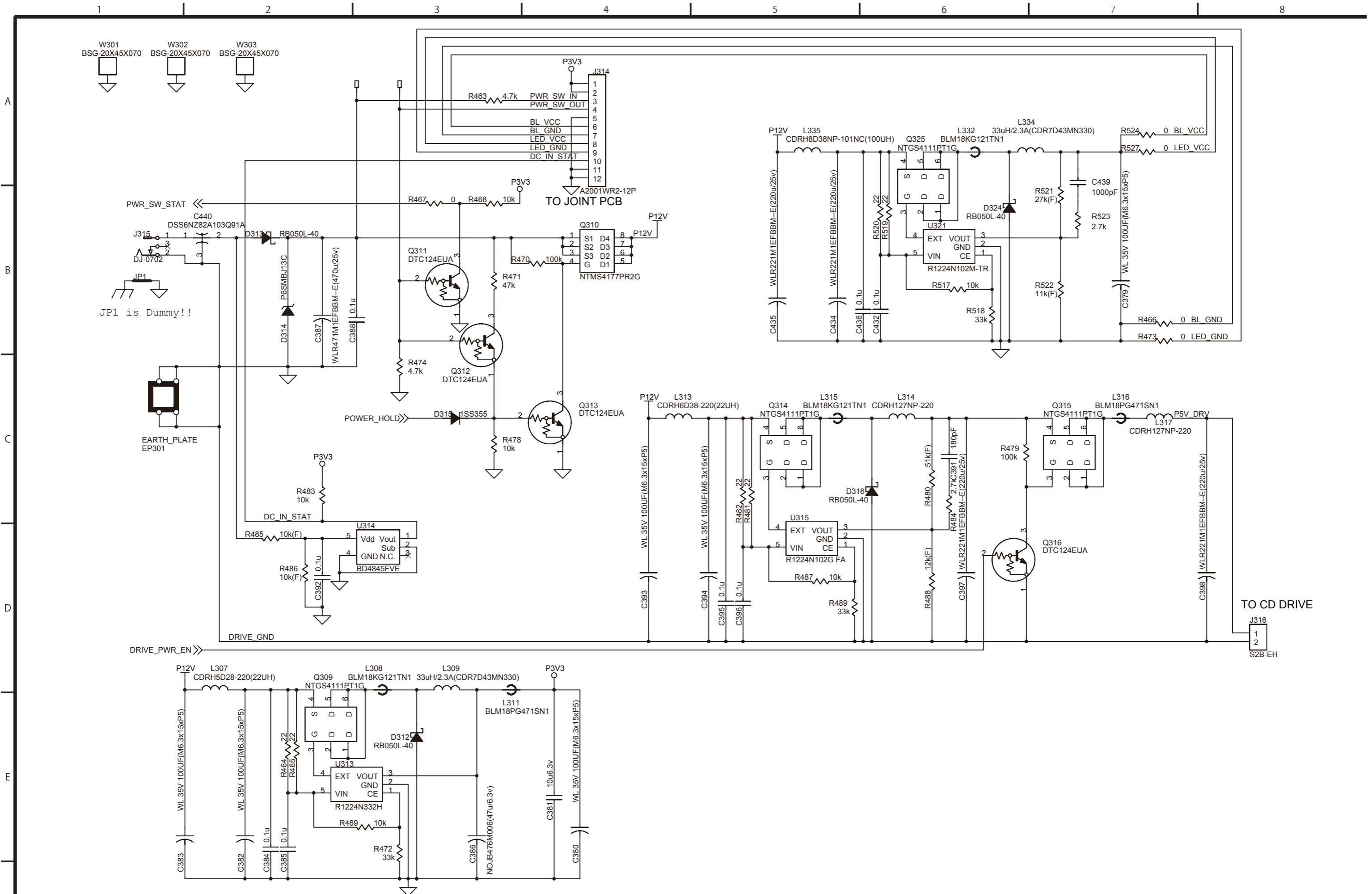
C

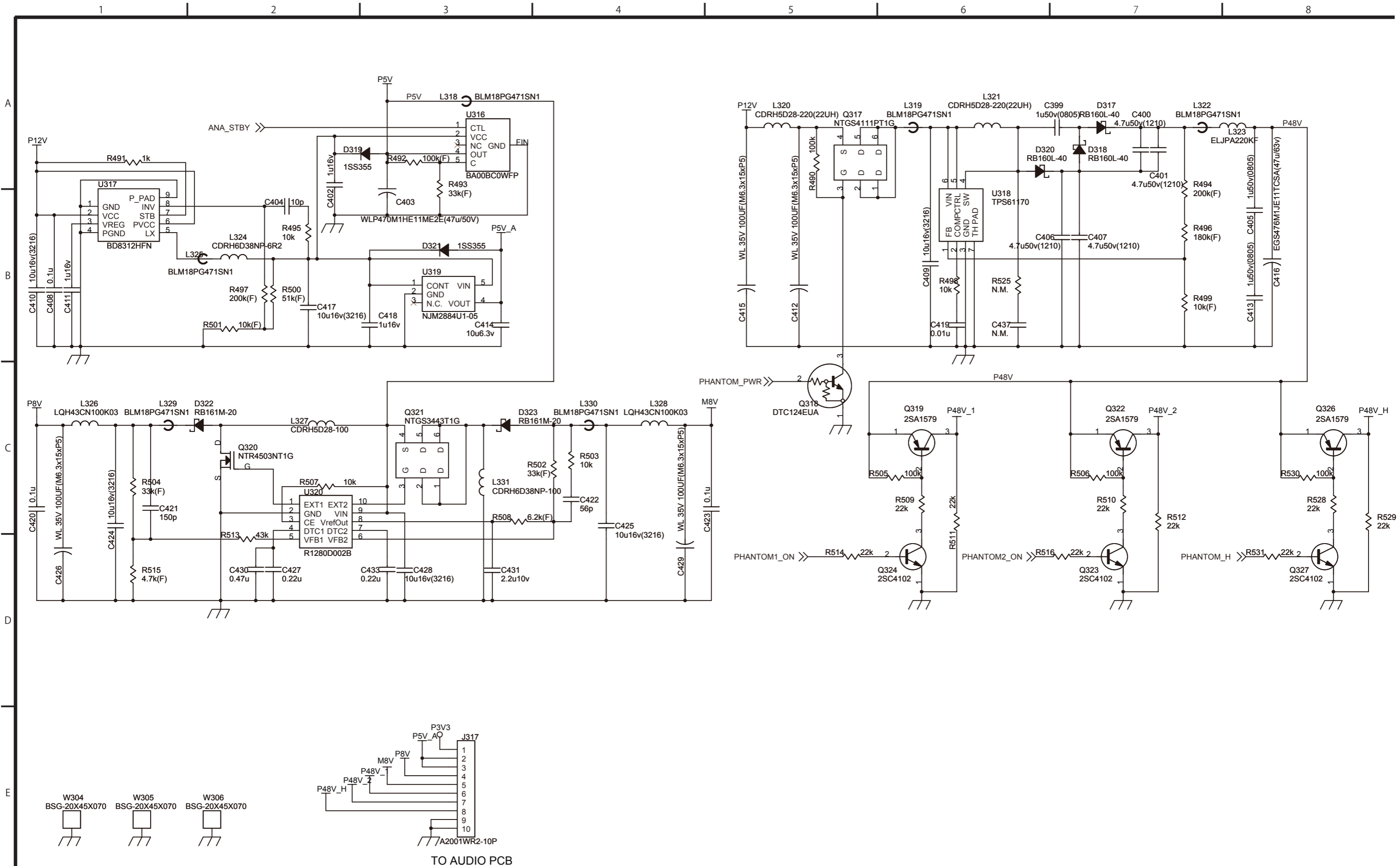
D

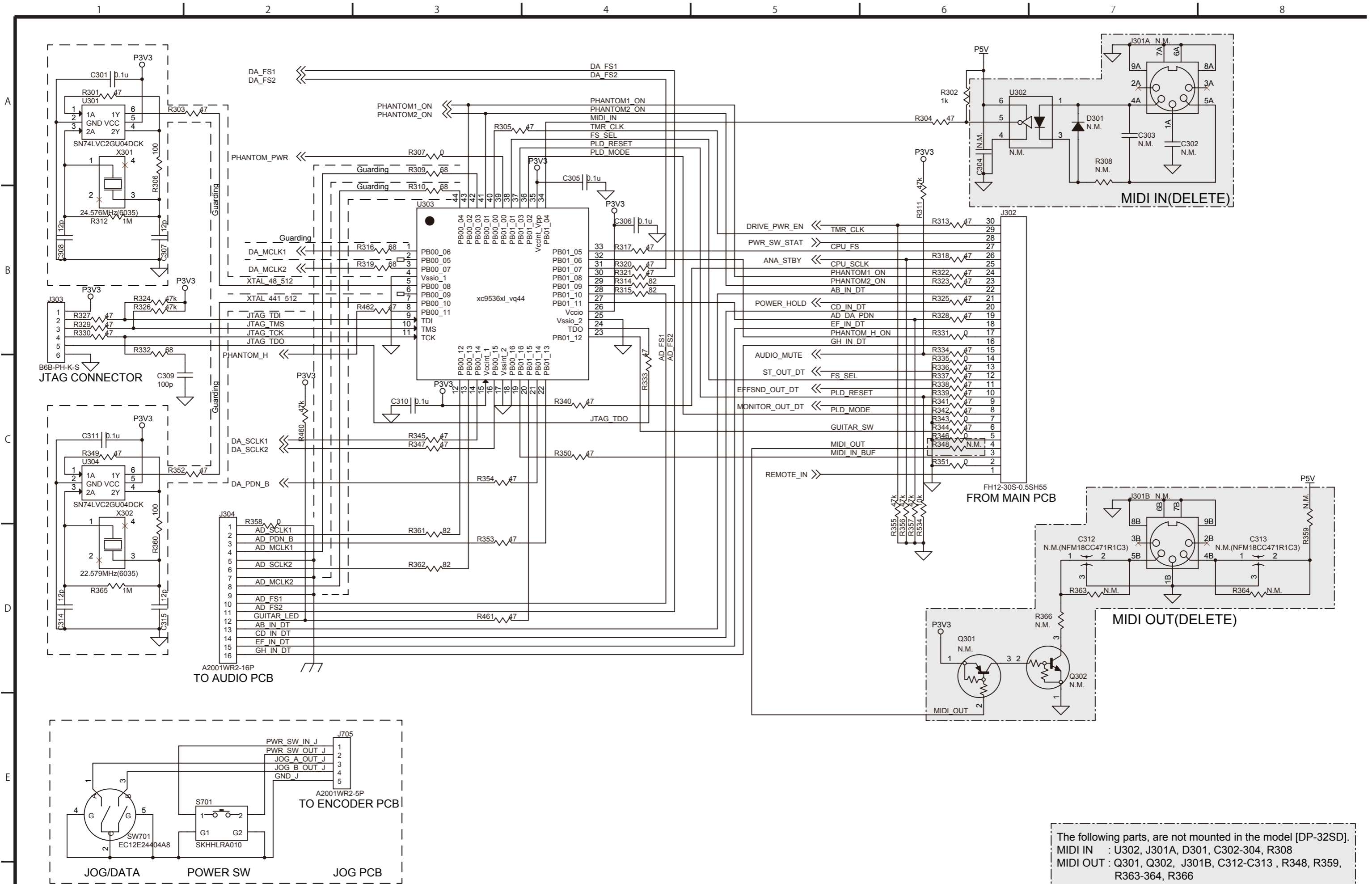
E











The following parts, are not mounted in the model [DP-32SD].
 MIDI IN : U302, J301A, D301, C302-304, R308
 MIDI OUT : Q301, Q302, J301B, C312-C313, R348, R359, R363-364, R366

1 2 3 4 5 6 7 8

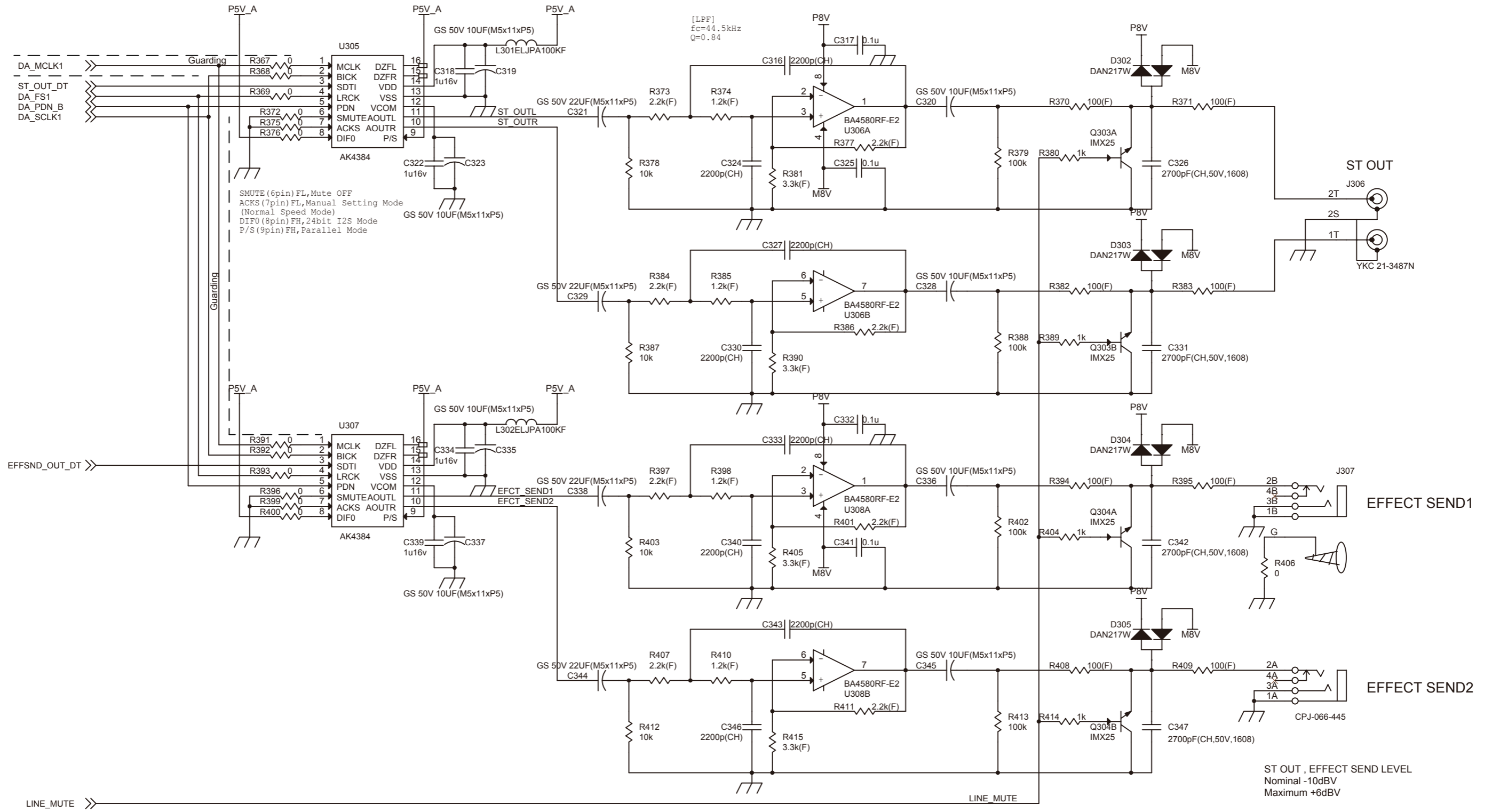
A

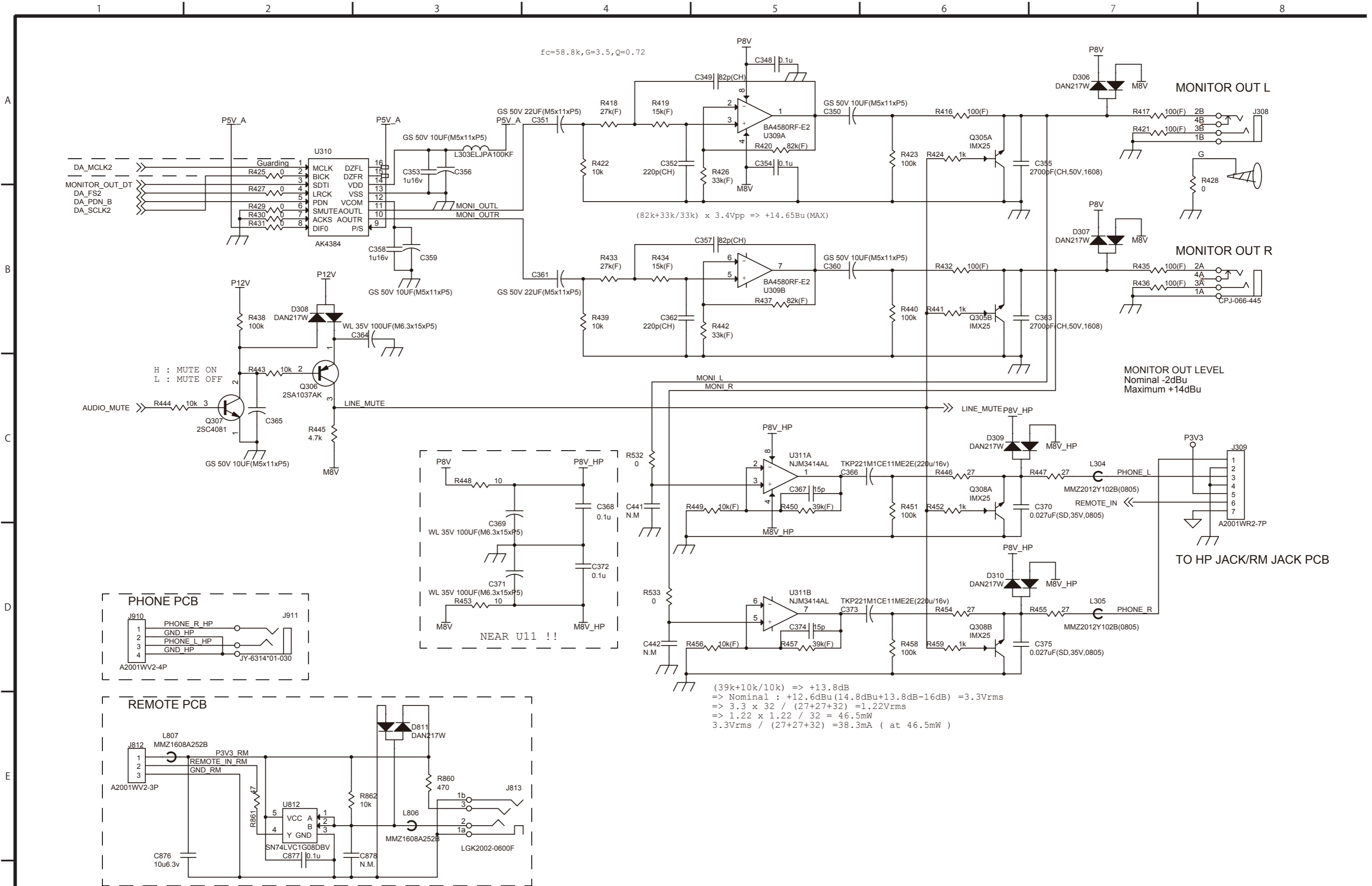
B

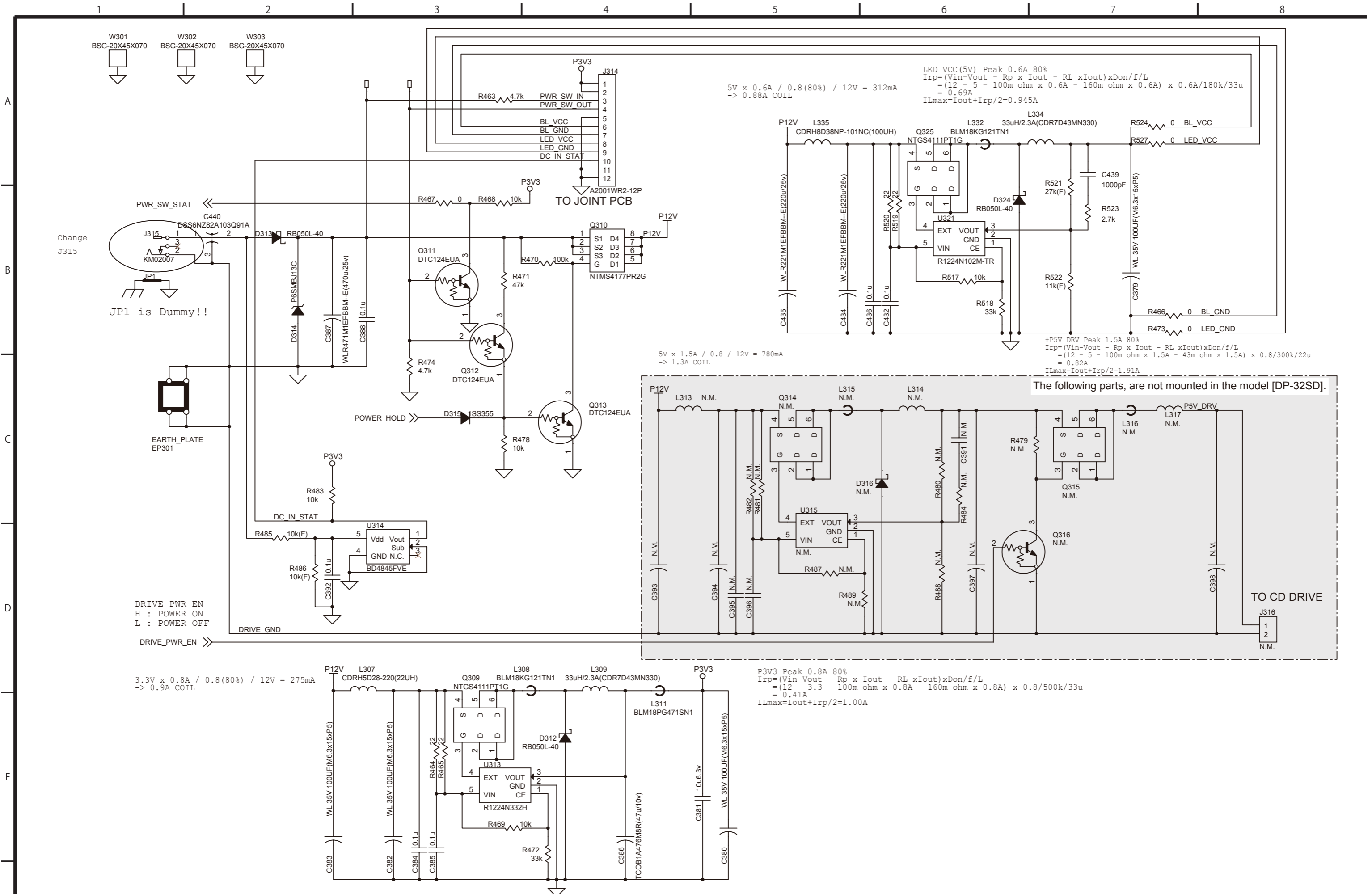
C

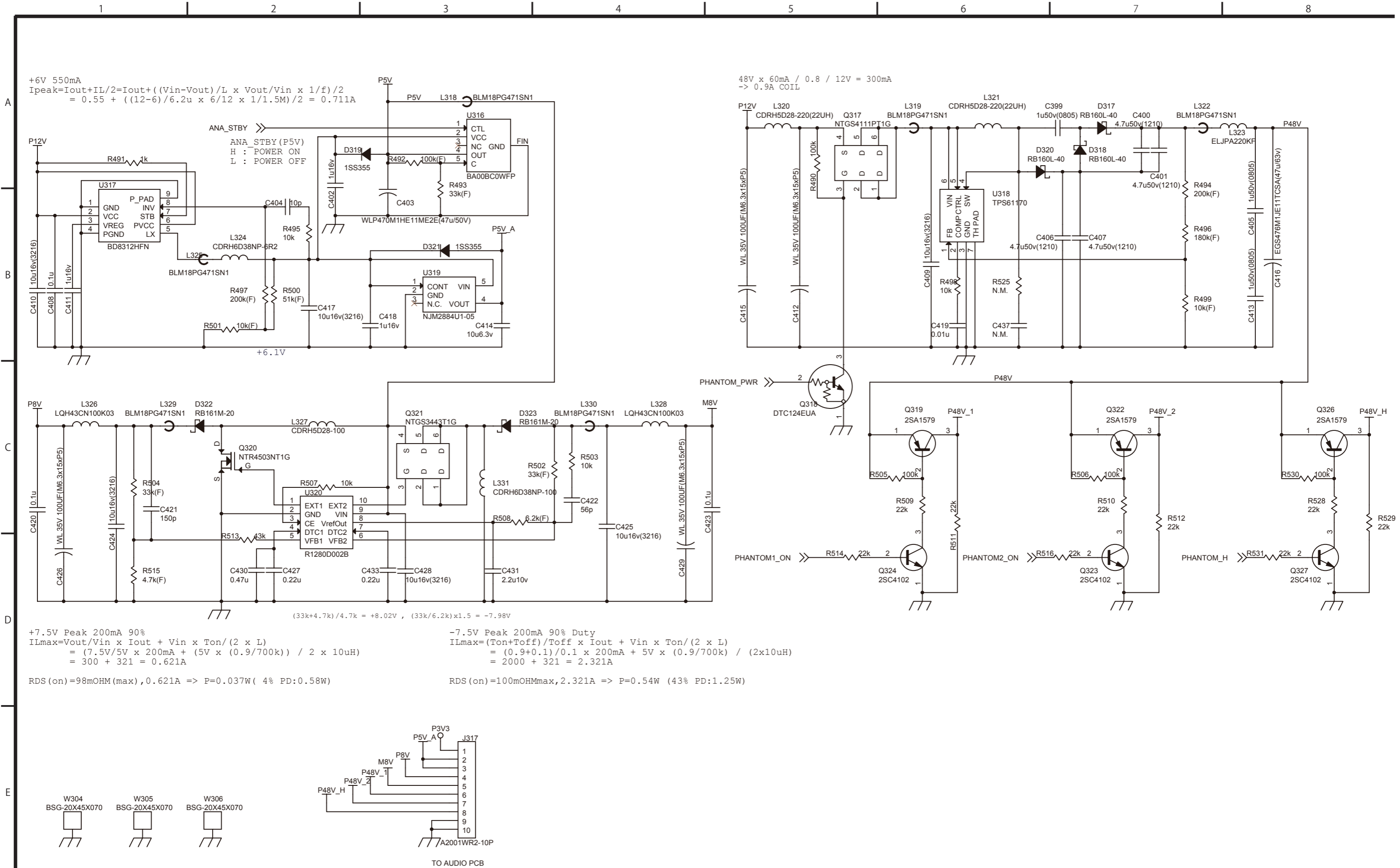
D

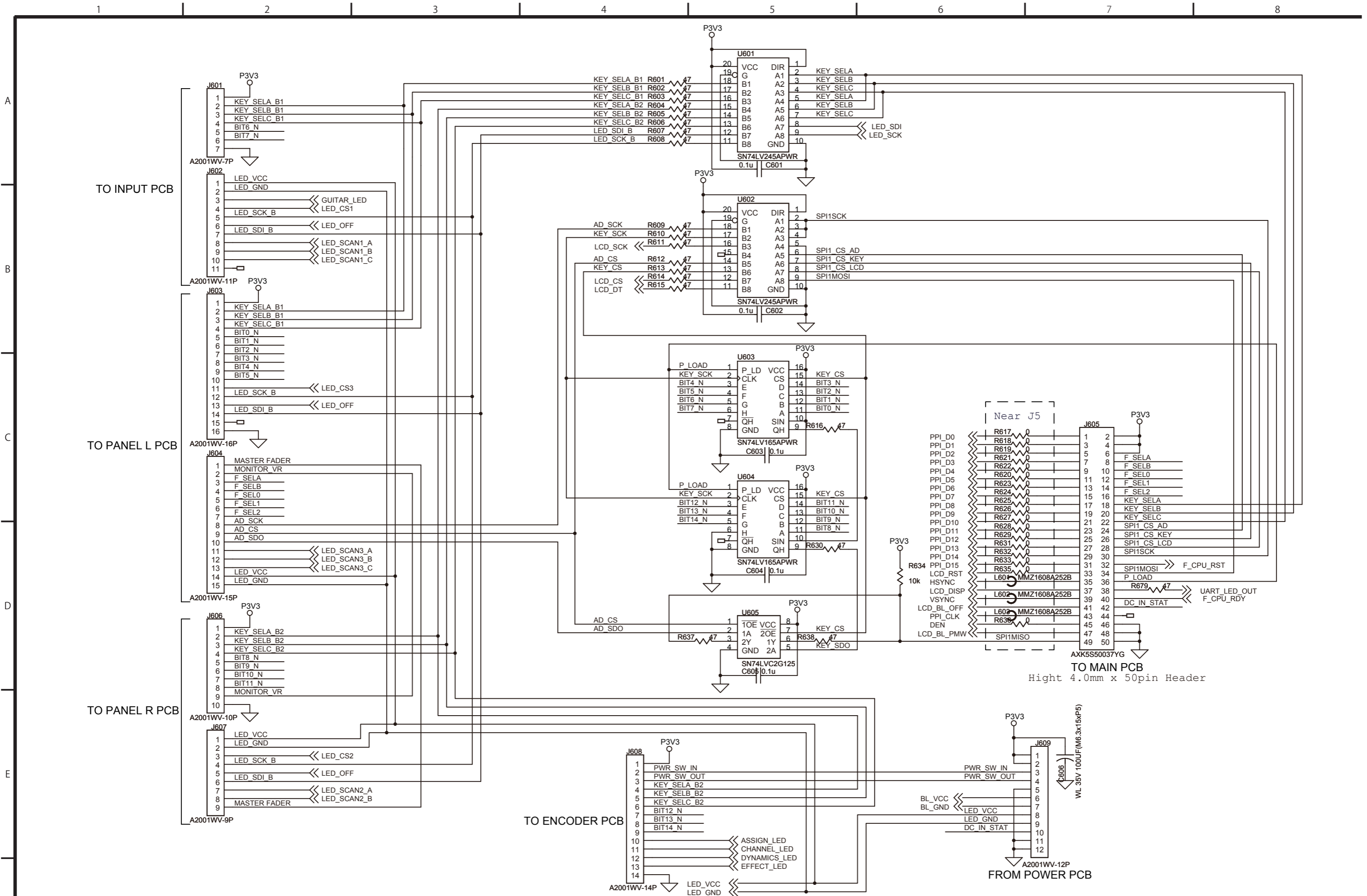
E

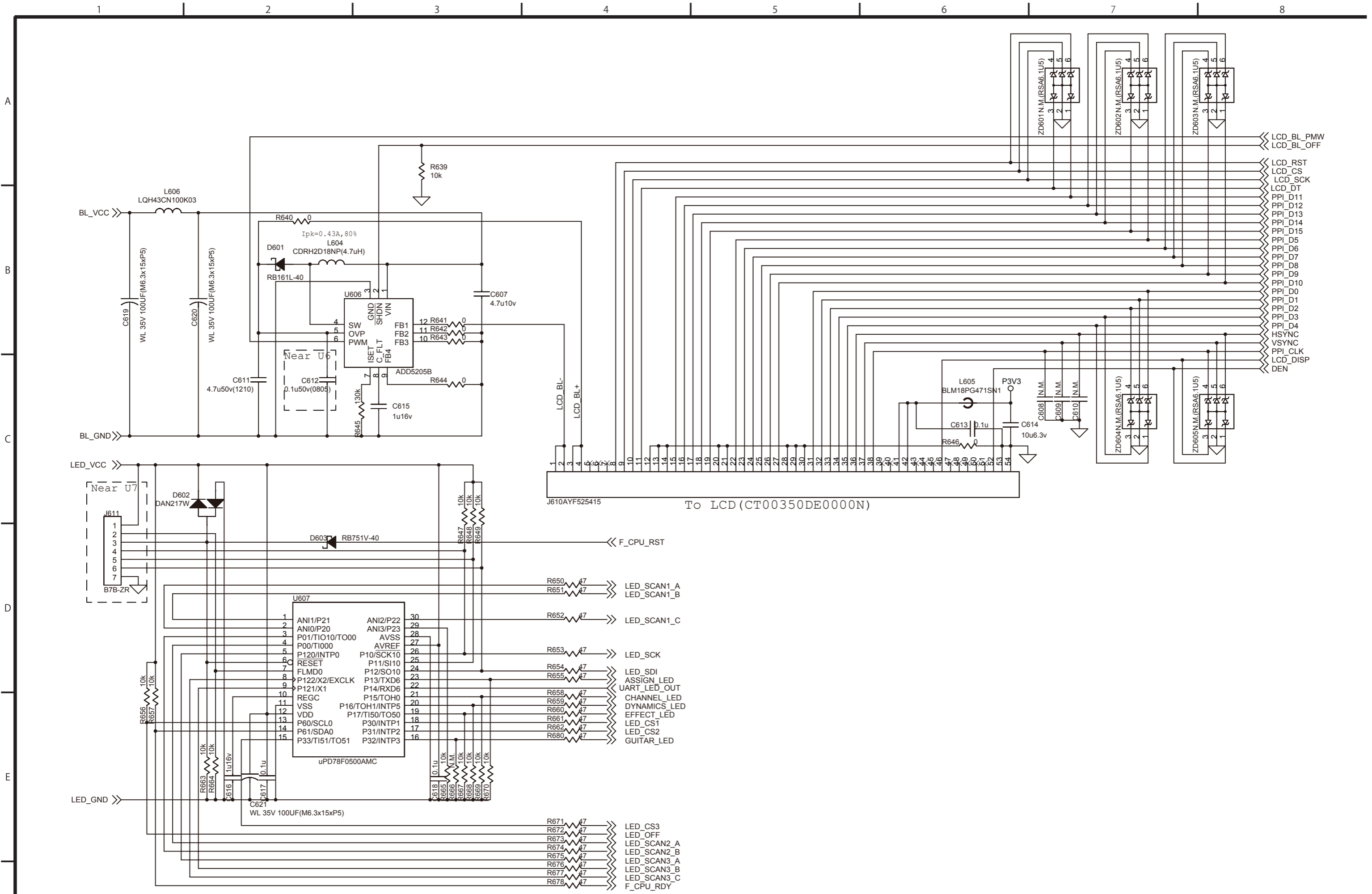


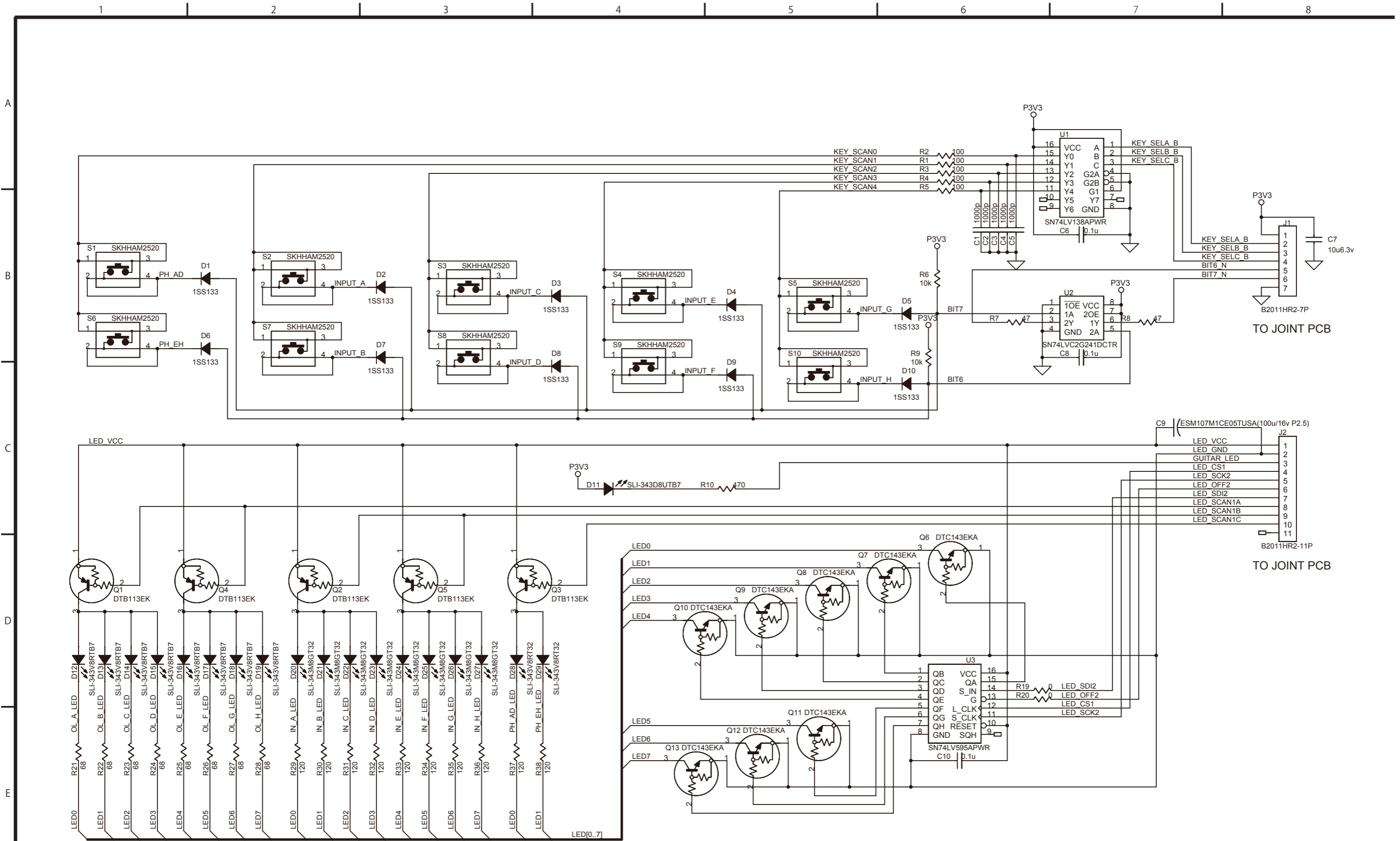


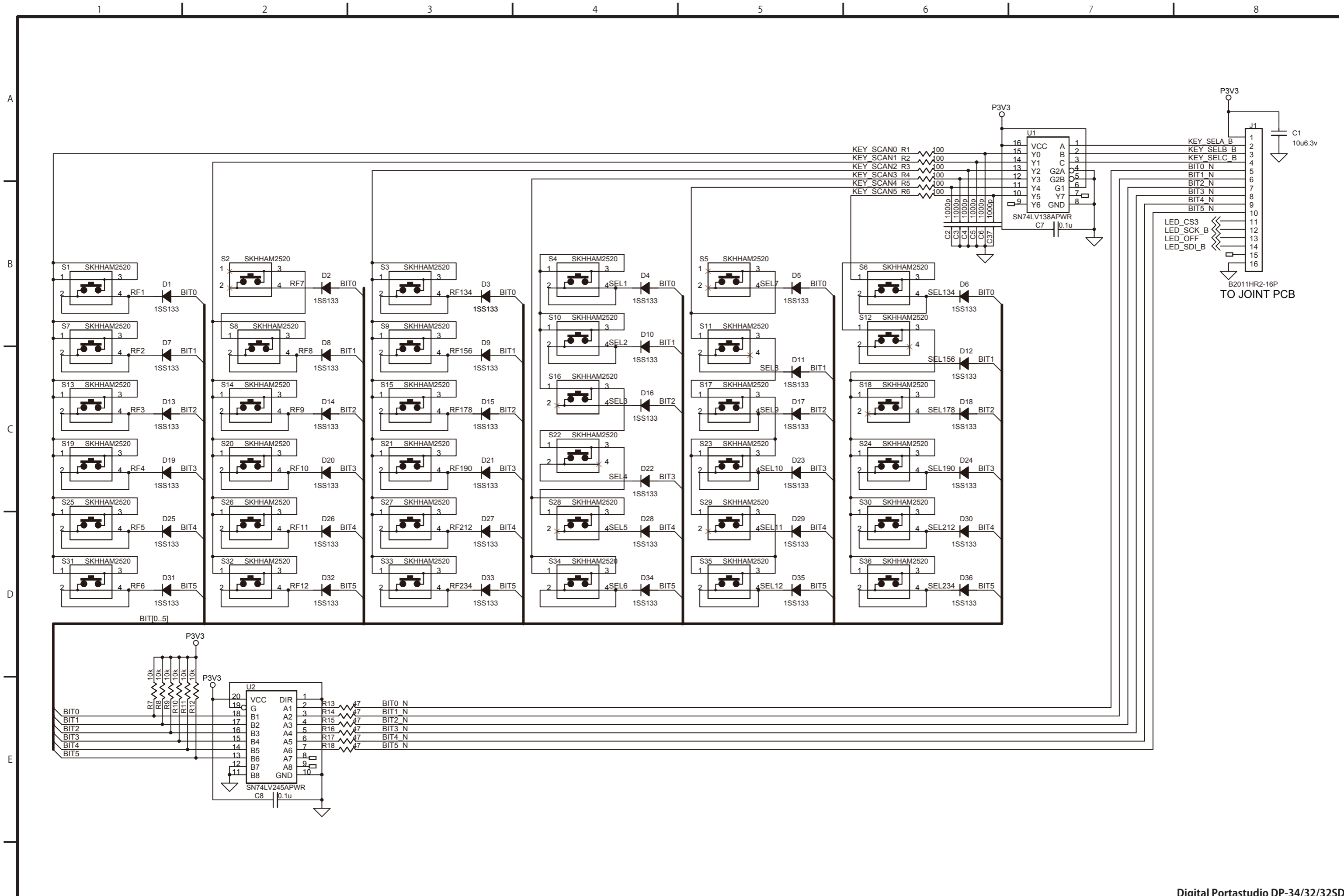


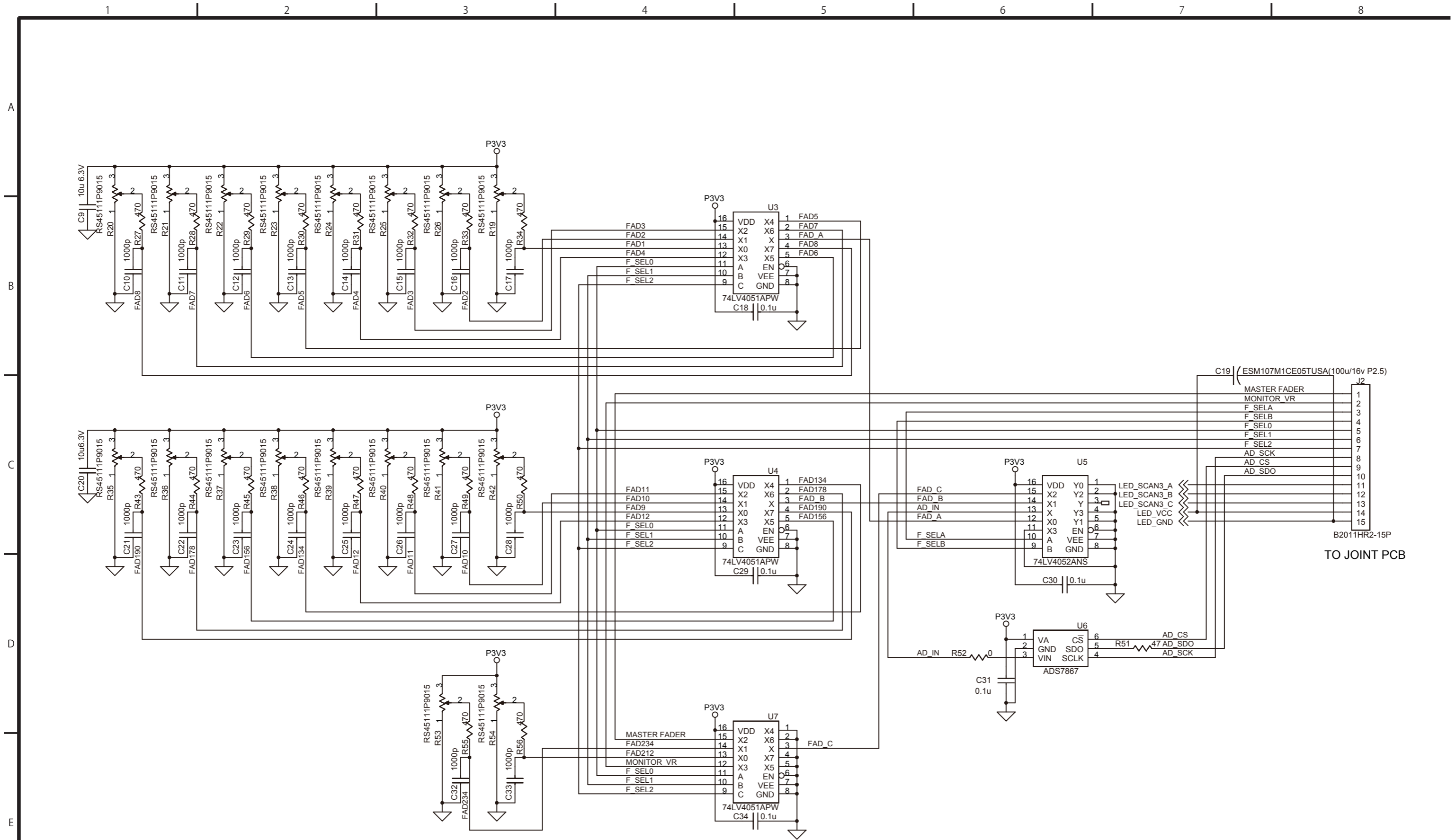


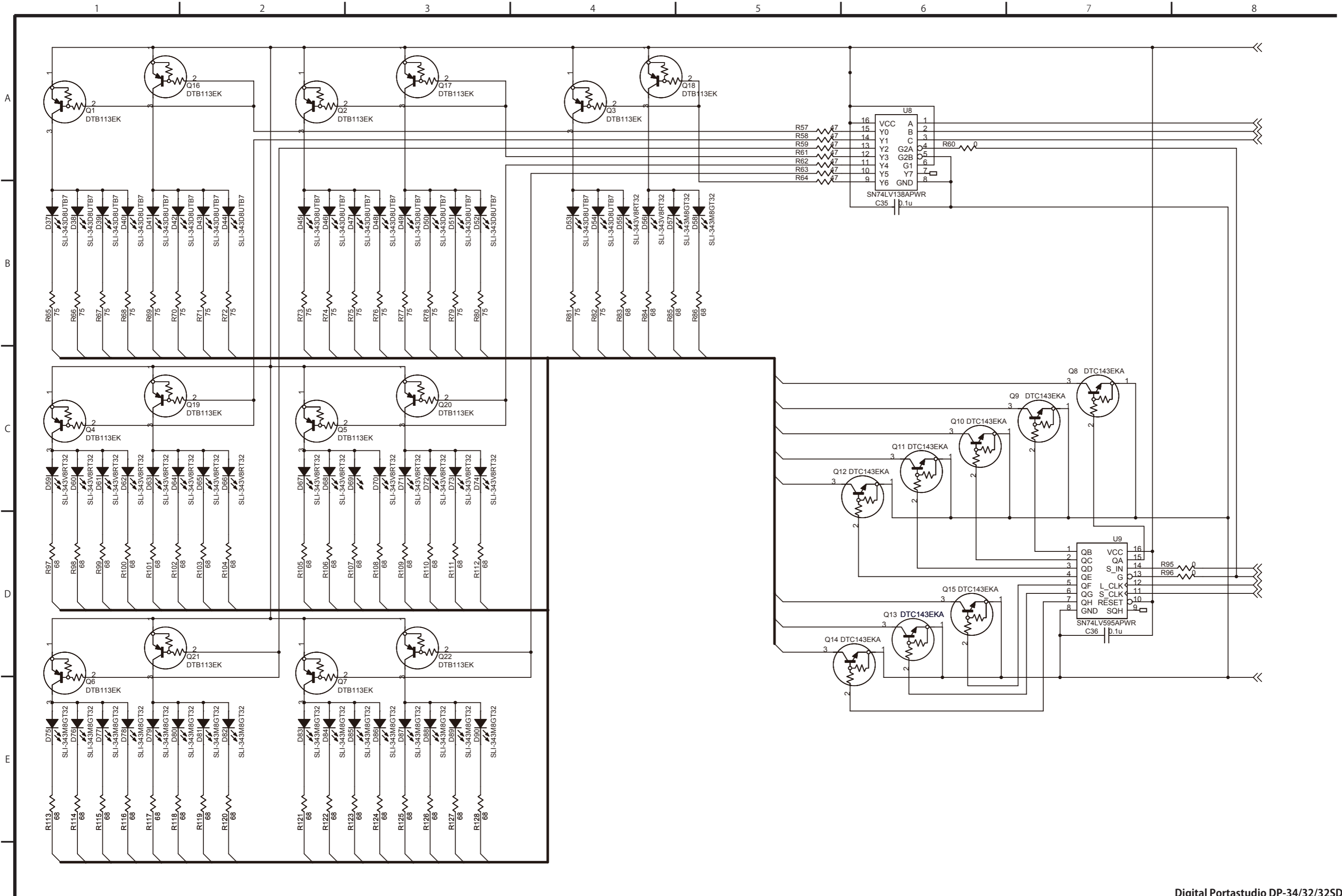


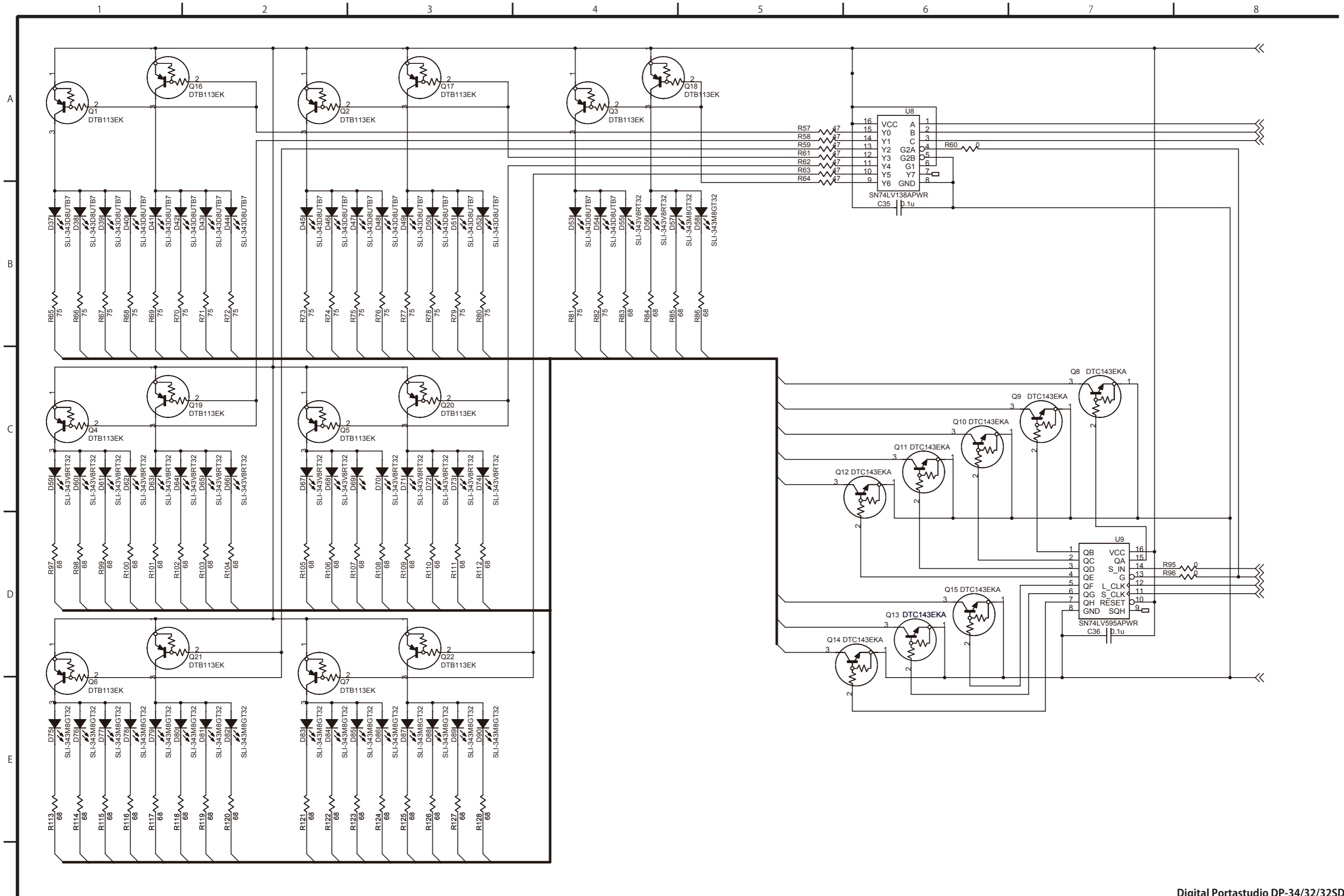


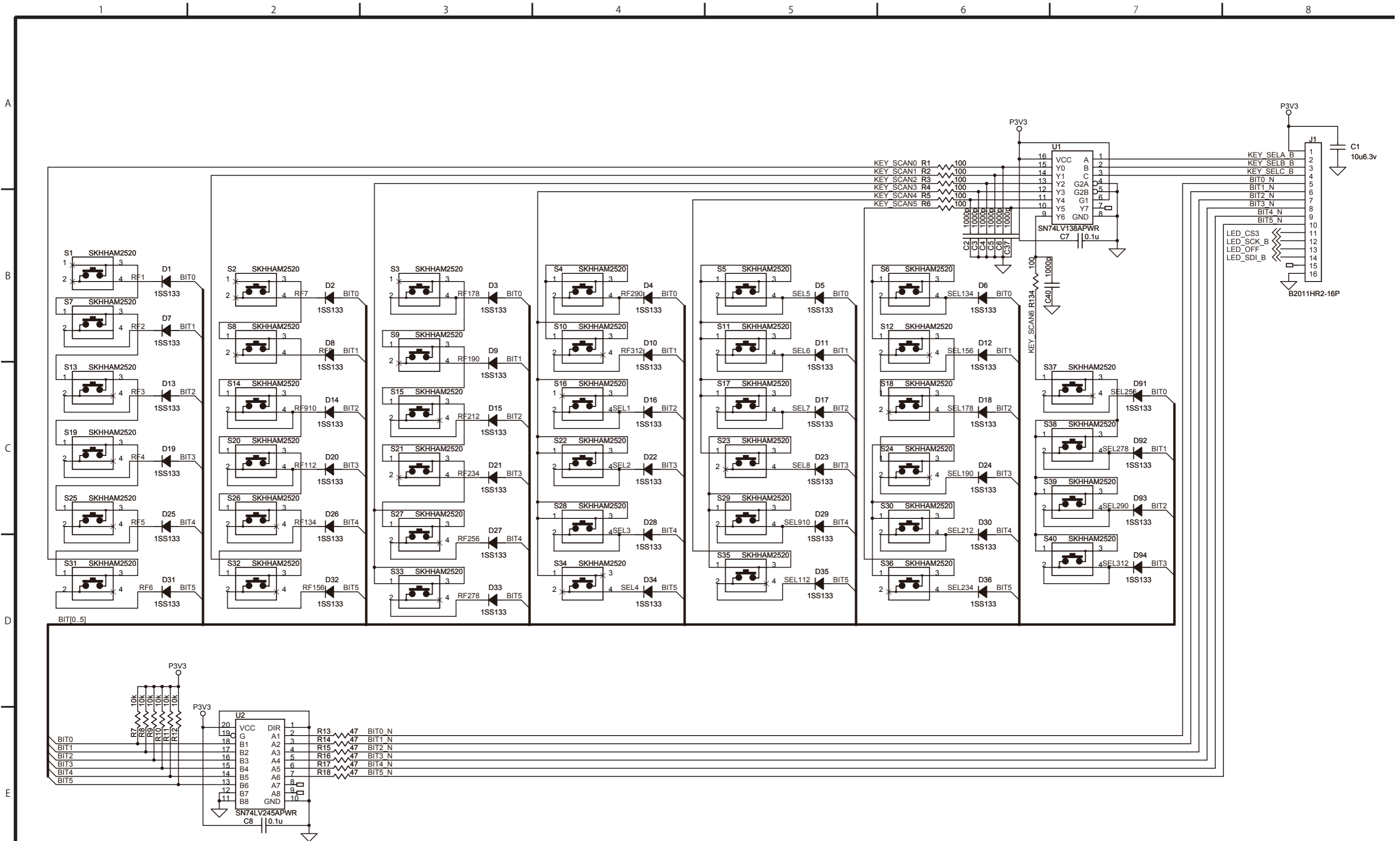


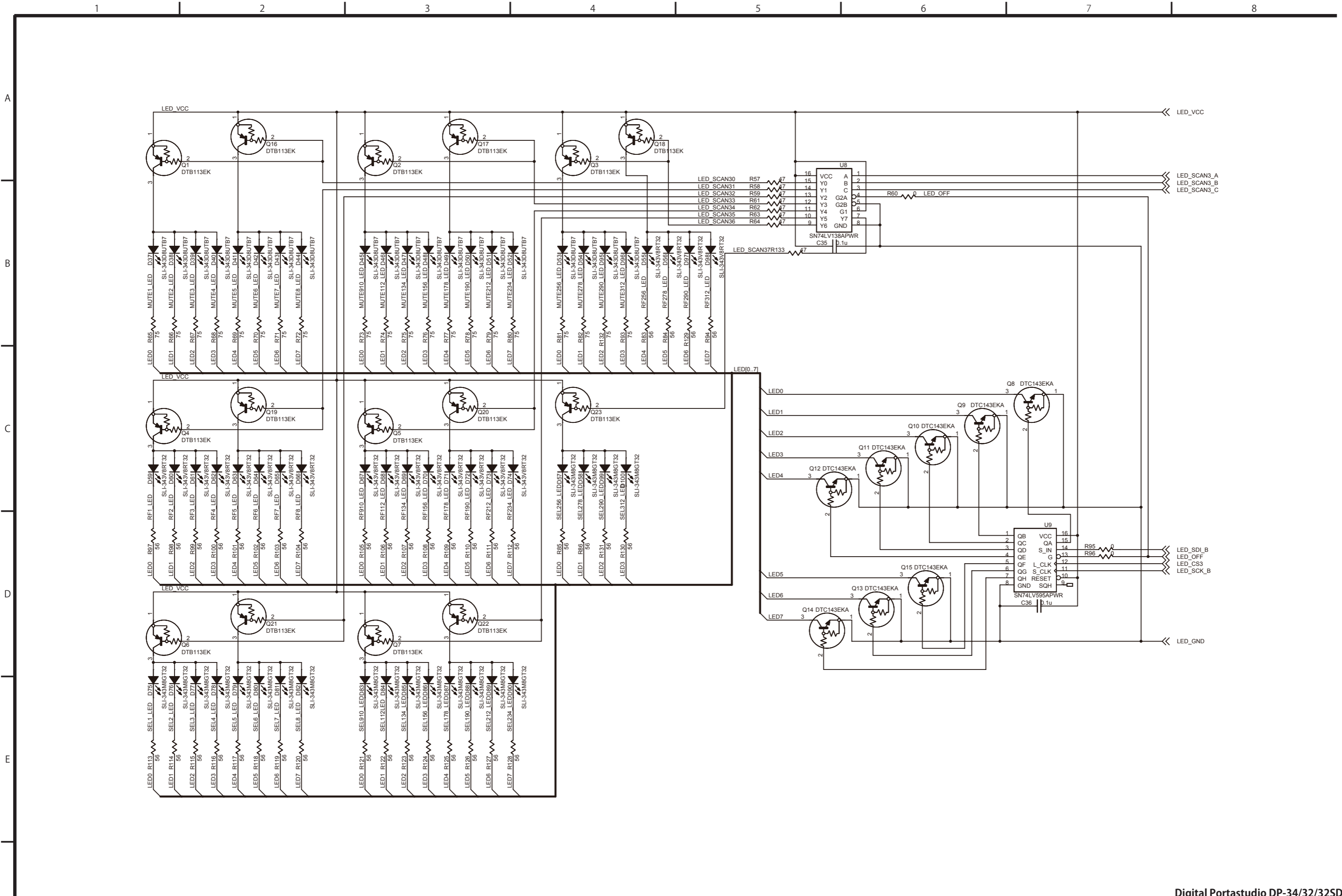


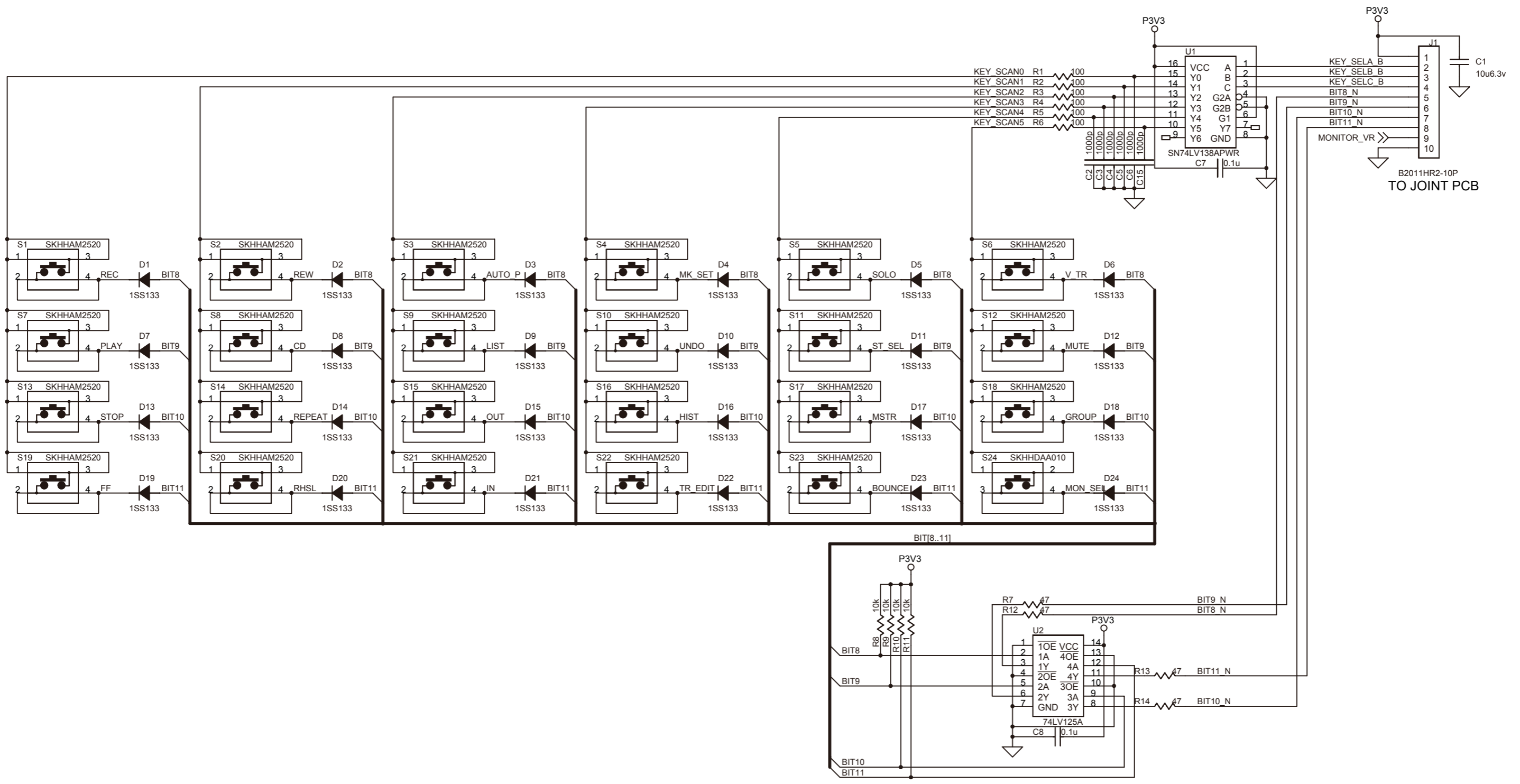


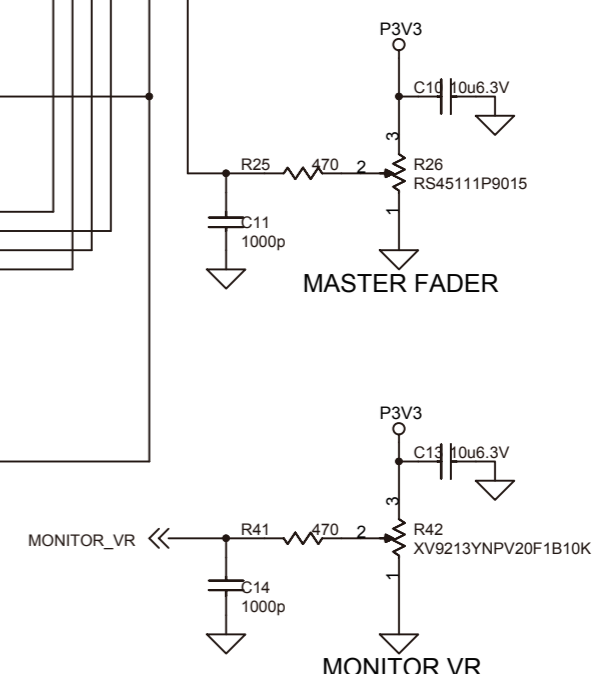
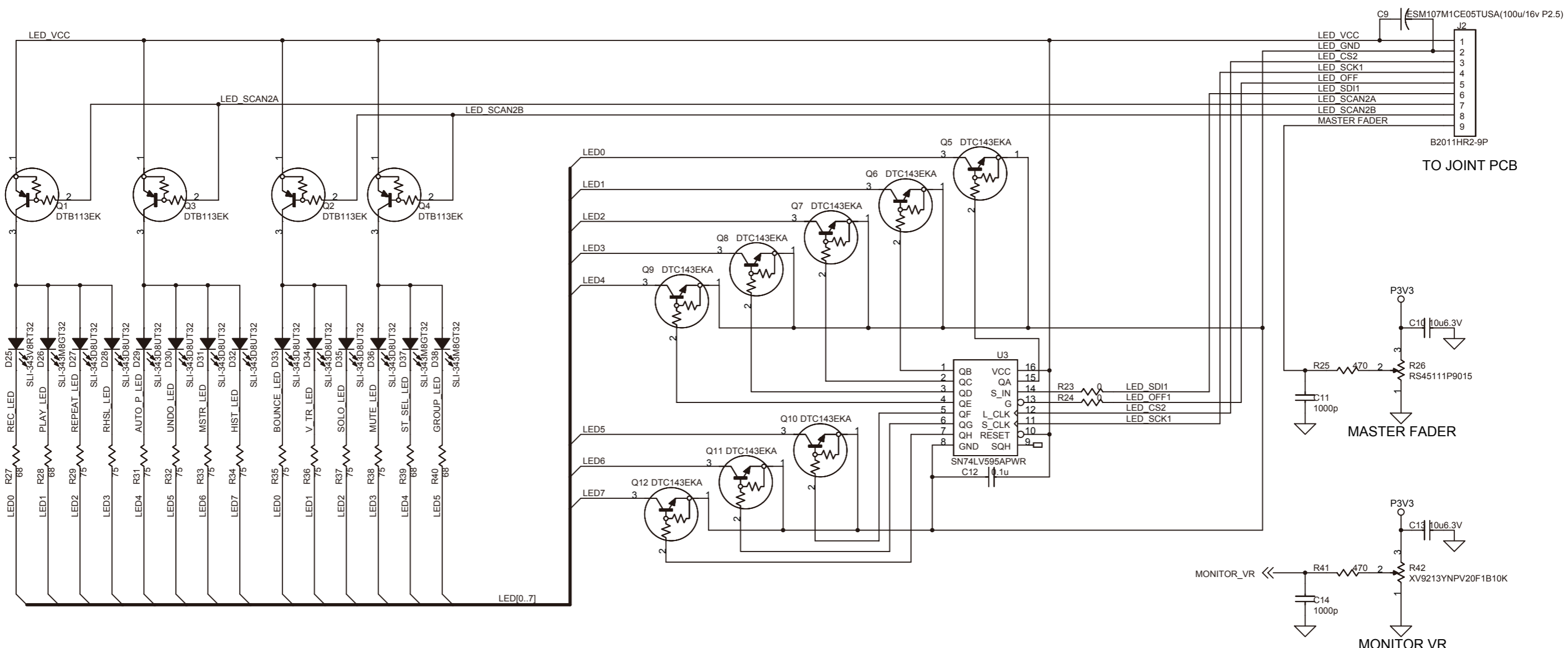


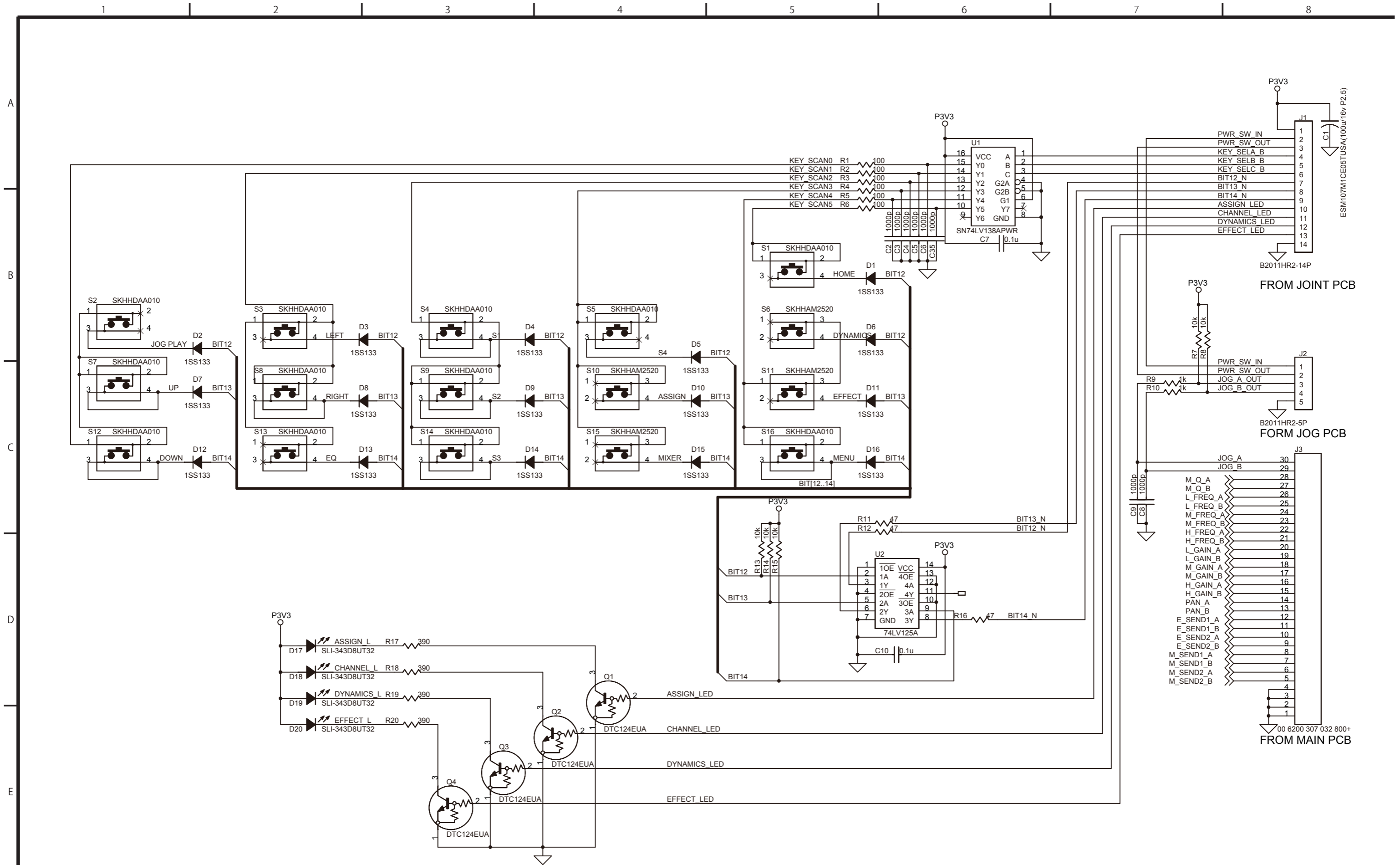












1 2 3 4 5 6 7 8

A

B

C

D

E

