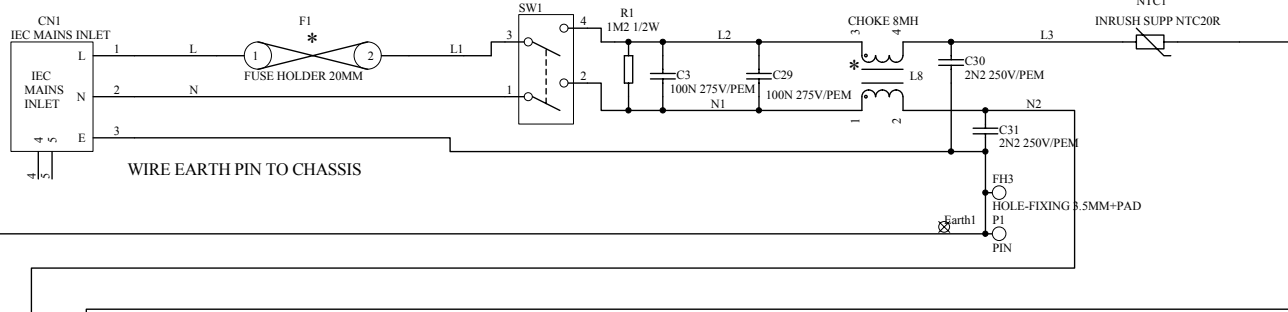
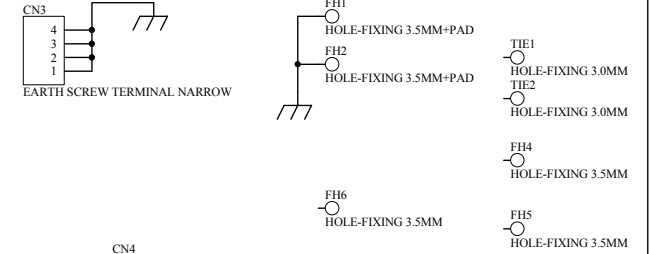


AC INLET

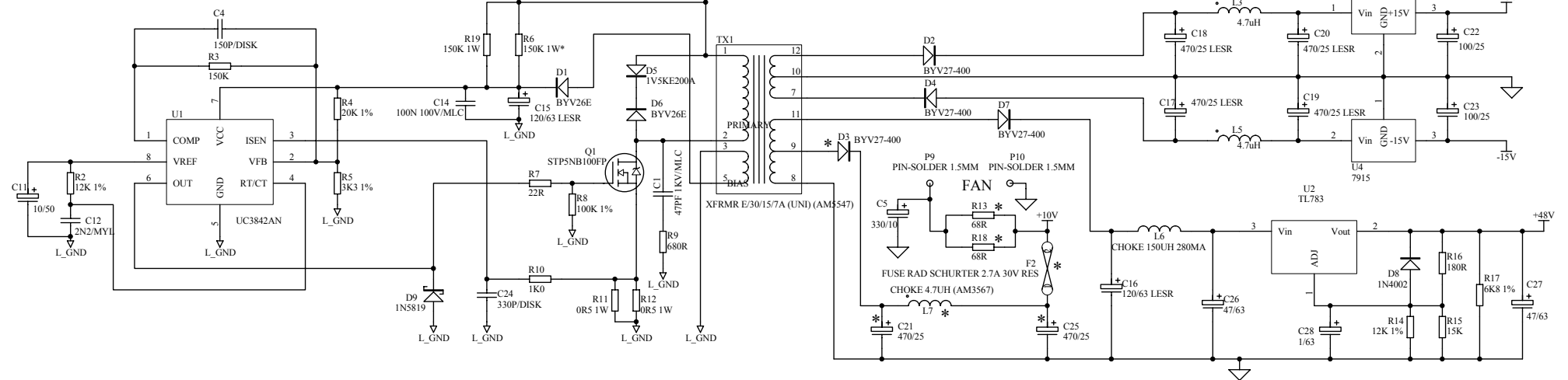
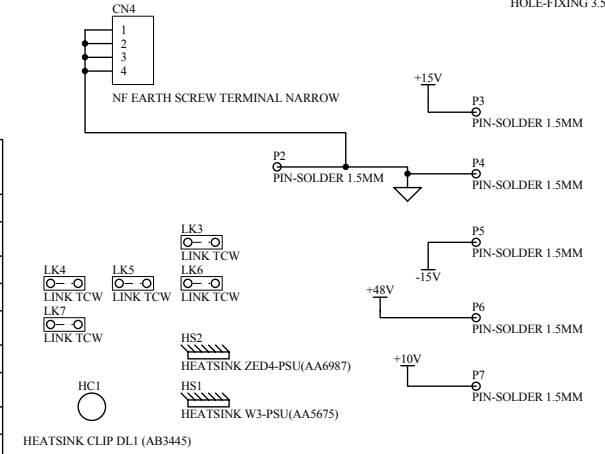
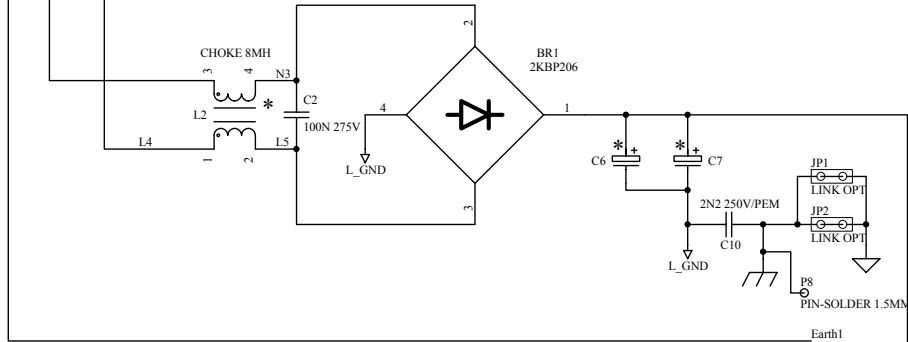


MOUNTING BRACKET CONTACT TO CHASSIS



\* = COMPONENT DIFFERENCES BETWEEN PSU ASSEMBLIES

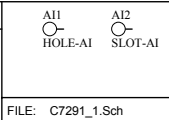
DESIG	ZED-14 003-661	ZED-24 003-778	ZED-12/22FX 003-776	ZED-420/428/436 003-741
C6	68UF 400V	68UF 400V	68UF 400V	180UF 400V
C7	NF	68UF 400V	68UF 400V	68UF 400V
D3	NF	NF	FIT	FIT
C21 & C25	NF	NF	FIT	FIT
L7	NF	NF	FIT	FIT
R13 & R18	NF	NF	FIT	FIT
F2	NF	NF	FIT	WIRE LINK FITTED
F1	T630mAL	T1AL	T1AL	T1.6AL
L2 & L8	22mH	22mH	22mH	8mH



**ALLEN&HEATH**

Kernick Industrial Estate,  
Penryn, Cornwall,  
England. TR10 9LU  
Tel: +44 (0)1326 372070  
Fax: +44 (0)1326 370153

ISSUE	BY	DATE	CHK BY
A 1	MG AAT	02/04/08 23/04/08	



A FAN IS USED TO COOL THE REGULATOR HEATSINK ON THE ZED-428 AND 436 MODELS  
A GOSS SHIELD IS FITTED AROUND L8 FOR MAGNETIC SHIELDING

\* All parts to be RoHS Compliant \*

TITLE: ZED-R 16 PSU

PAGE:

FILE: C7291\_1.Sch

PRINTED: 10:00:49 16-May-2008

DRG No: C7291 ISSUE: 1 SHEET: 1 OF 1

