

OHIO SCIENTIFIC

product name/number MODEL 4-70

SINGLE SIDED FLOPPY INTERFACE

date 27 JUL 1979

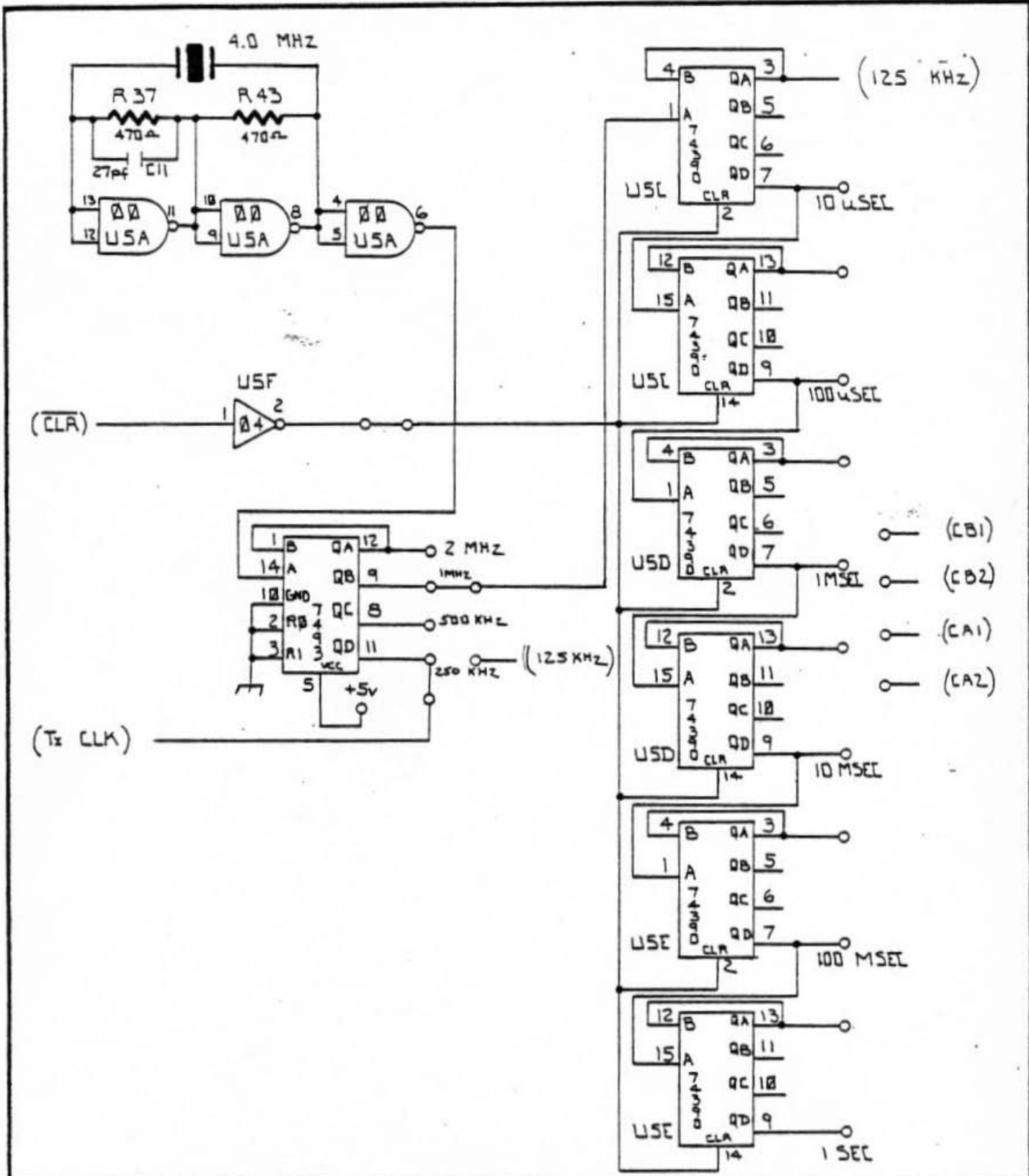
revision

page

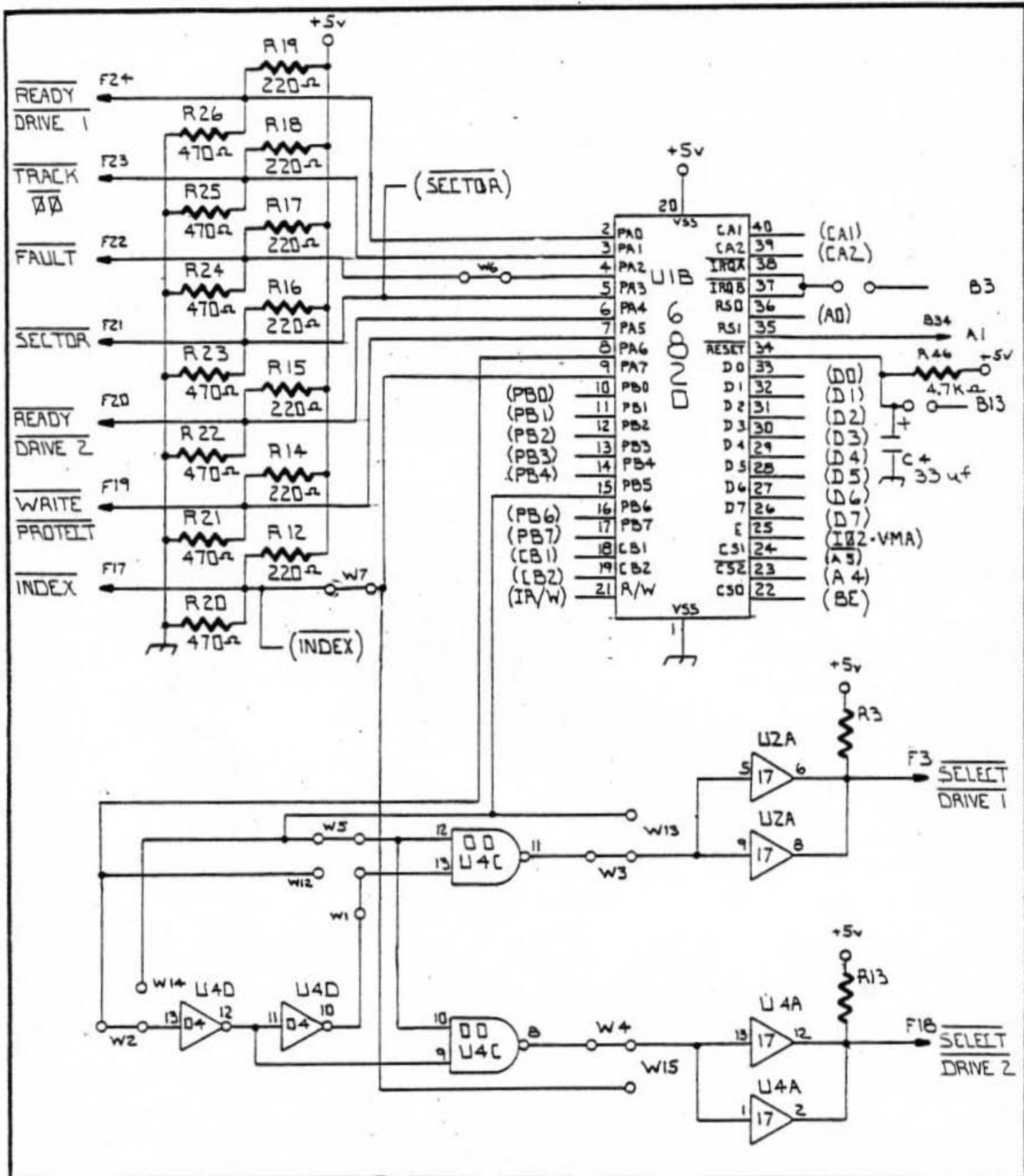
status

sheet 1 of 5

DRAWN ~ J.L.K.



OHIO SCIENTIFIC			product name/number MODEL 470	
			SINGLE SIDED FLOPPY INTERFACE	
date 27 JUL 1979	revision	page	status	sheet 2 of 5
DRAWN ~ J.L.K.				



OHIO SCIENTIFIC

product name/number

MODEL 470

SINGLE SIDED FLOPPY INTERFACE

date 27 JUL 1979

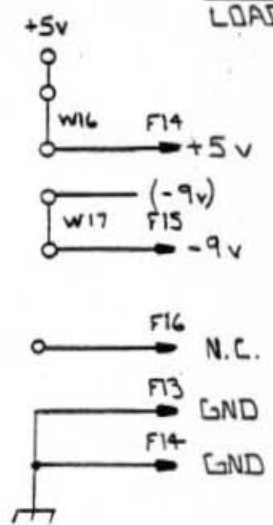
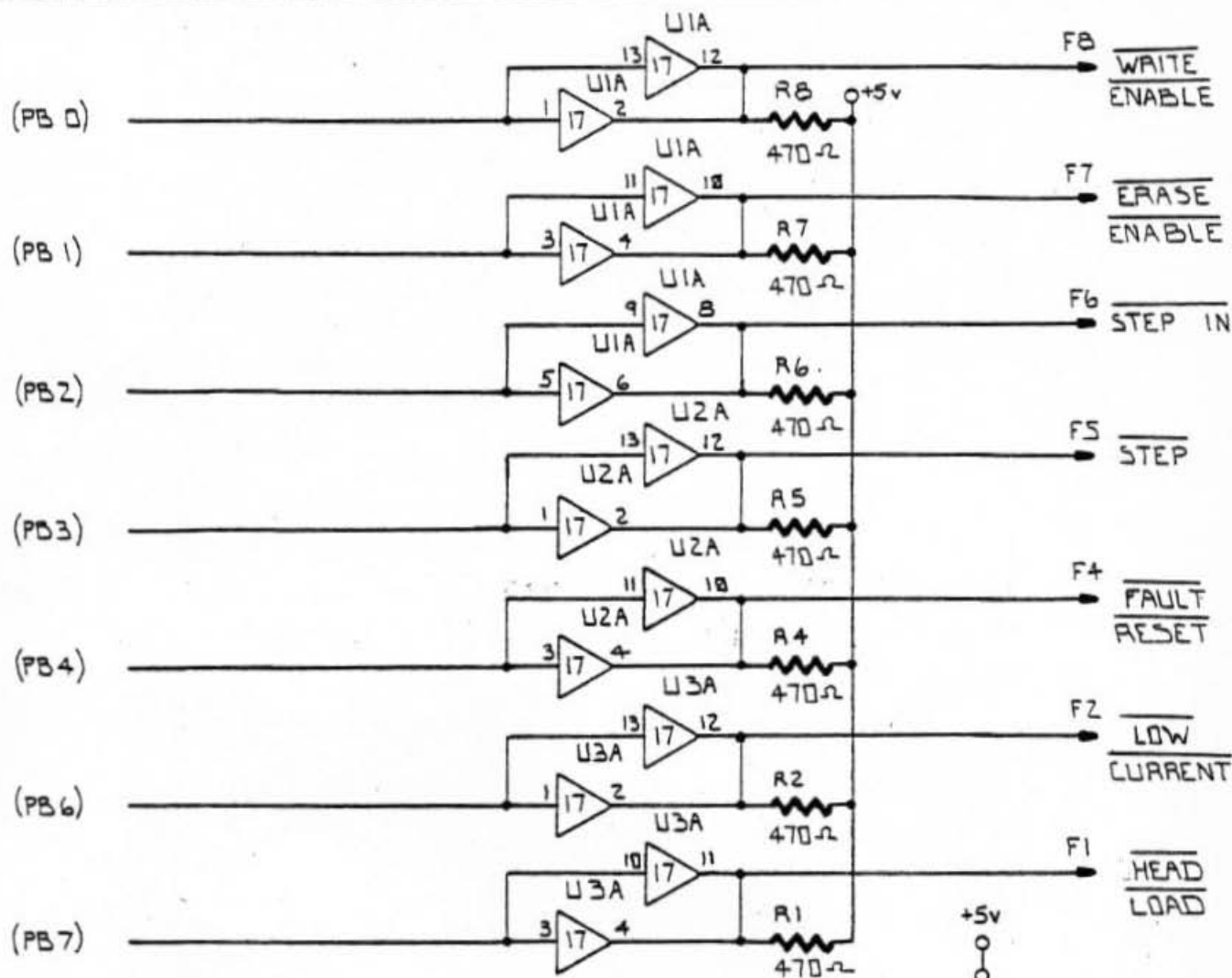
revision

page

status

sheet 3 of 5

DRAWN ~ J.L.K.



OHIO SCIENTIFIC

product name/number MODEL 470
SINGLE SIDED FLOPPY INTERFACE

date 27 JUL 1979

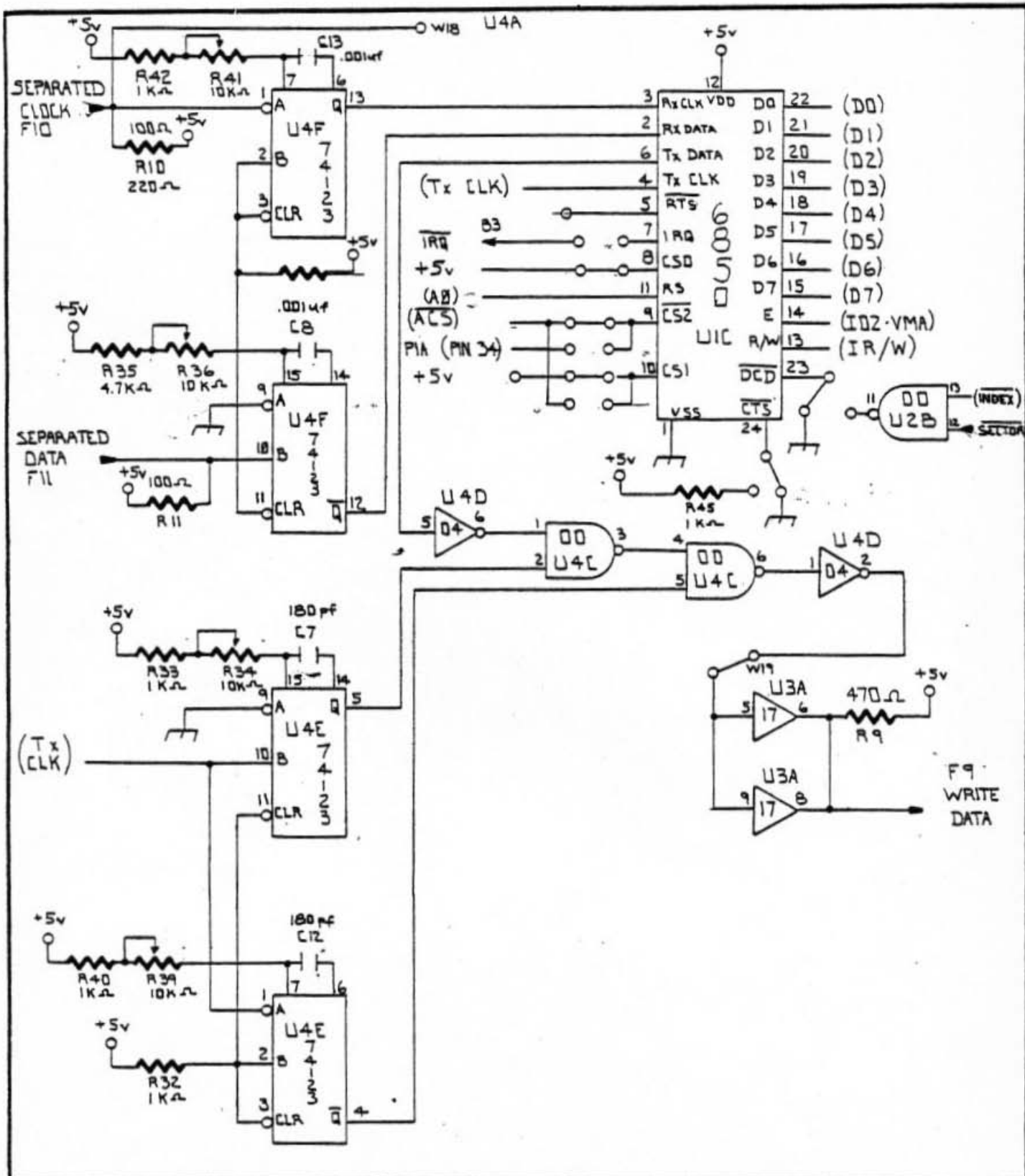
revision

page

status

sheet 4 of 5

DRAWN - J.L.K.



OHIO SCIENTIFIC

product name/number

MODEL 470

SINGLE SIDED FLOPPY INTERFACE

date 27 JUL 1979

revision

page

status

sheet 5 of 5

DRAWN ~ J.L.K.

DS1 470 REV B
 SINGLE SIDED FLOPPY INTERFACE ASSEMBLY DRAWING D1

