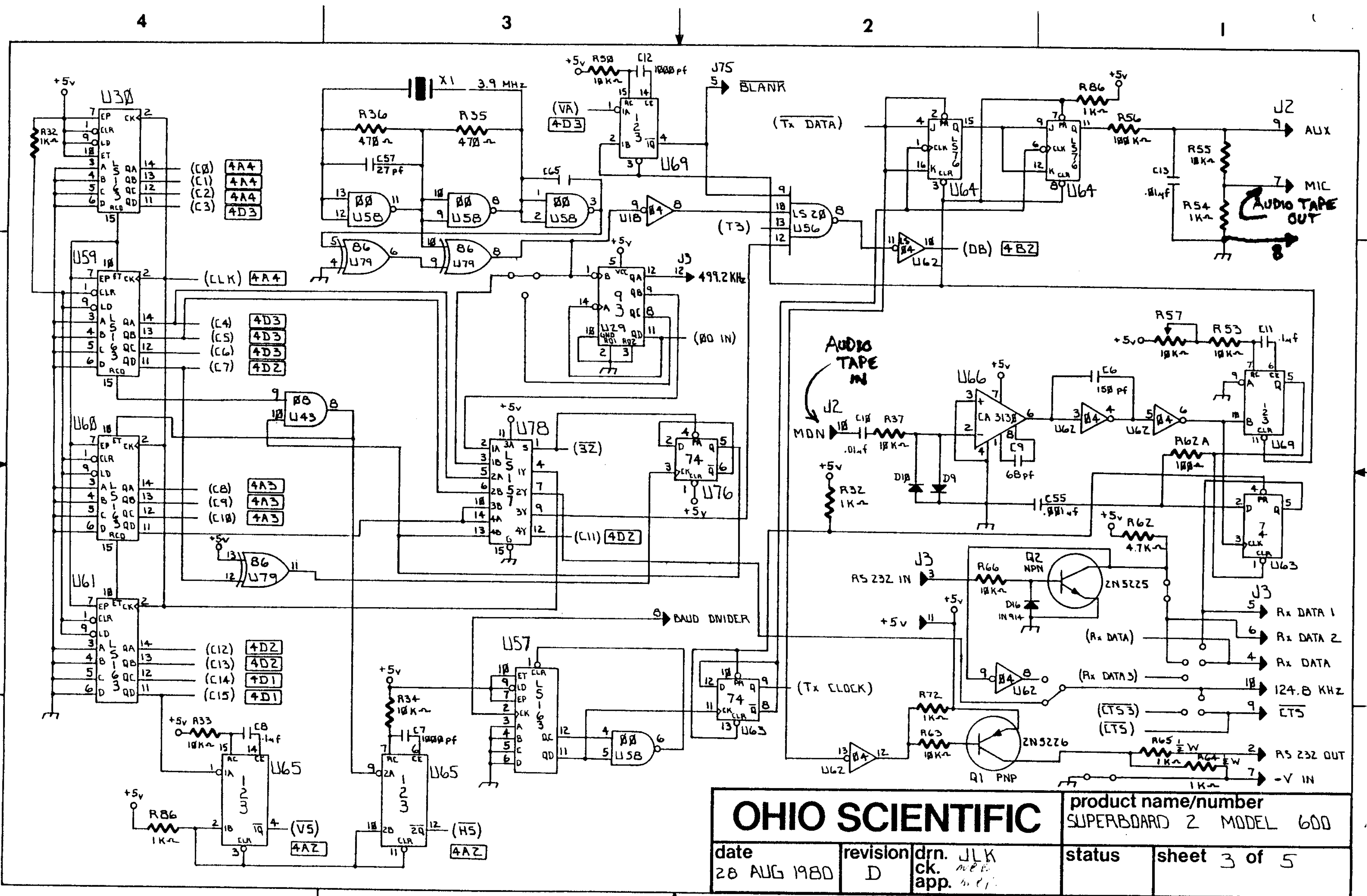
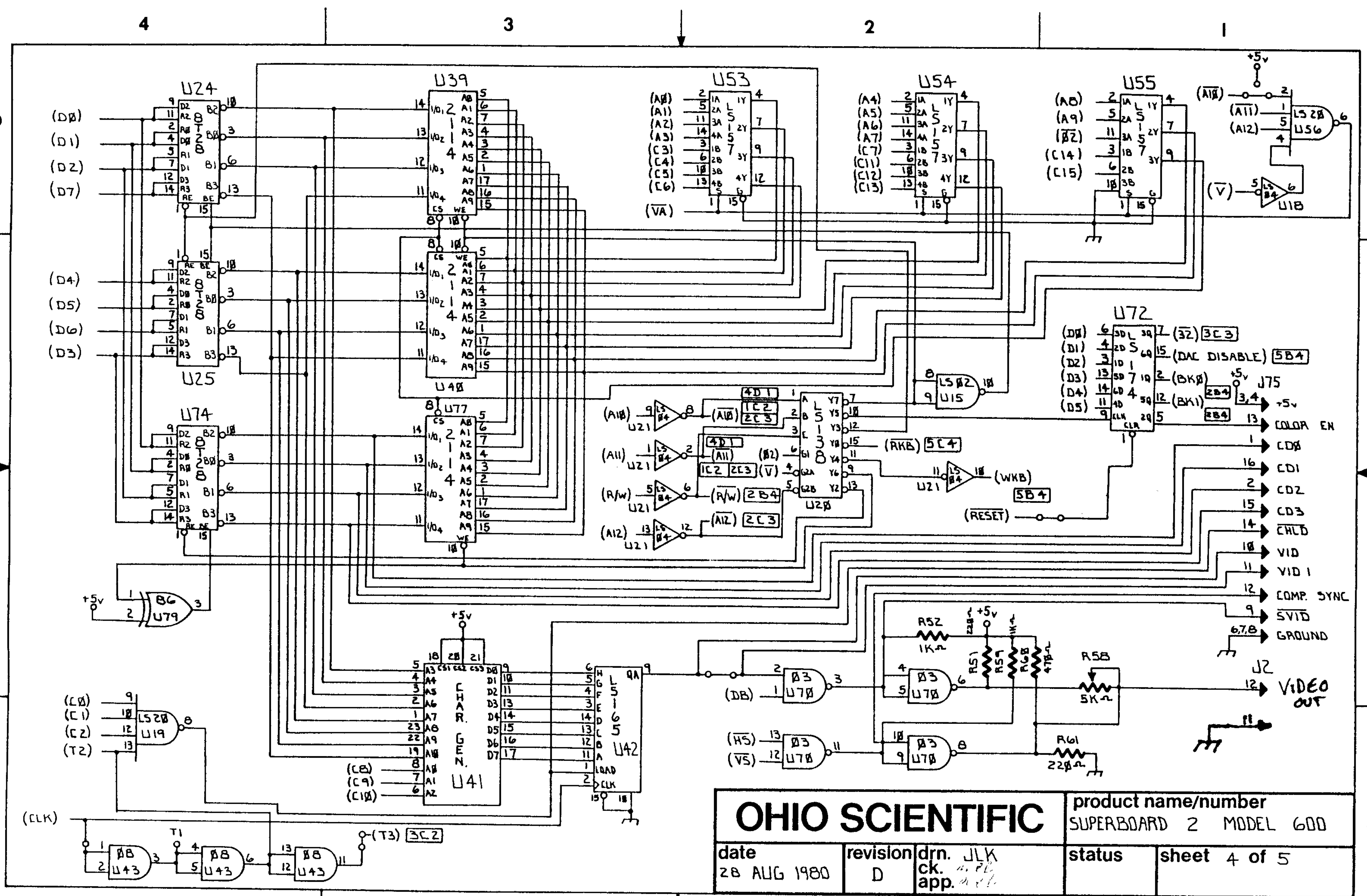


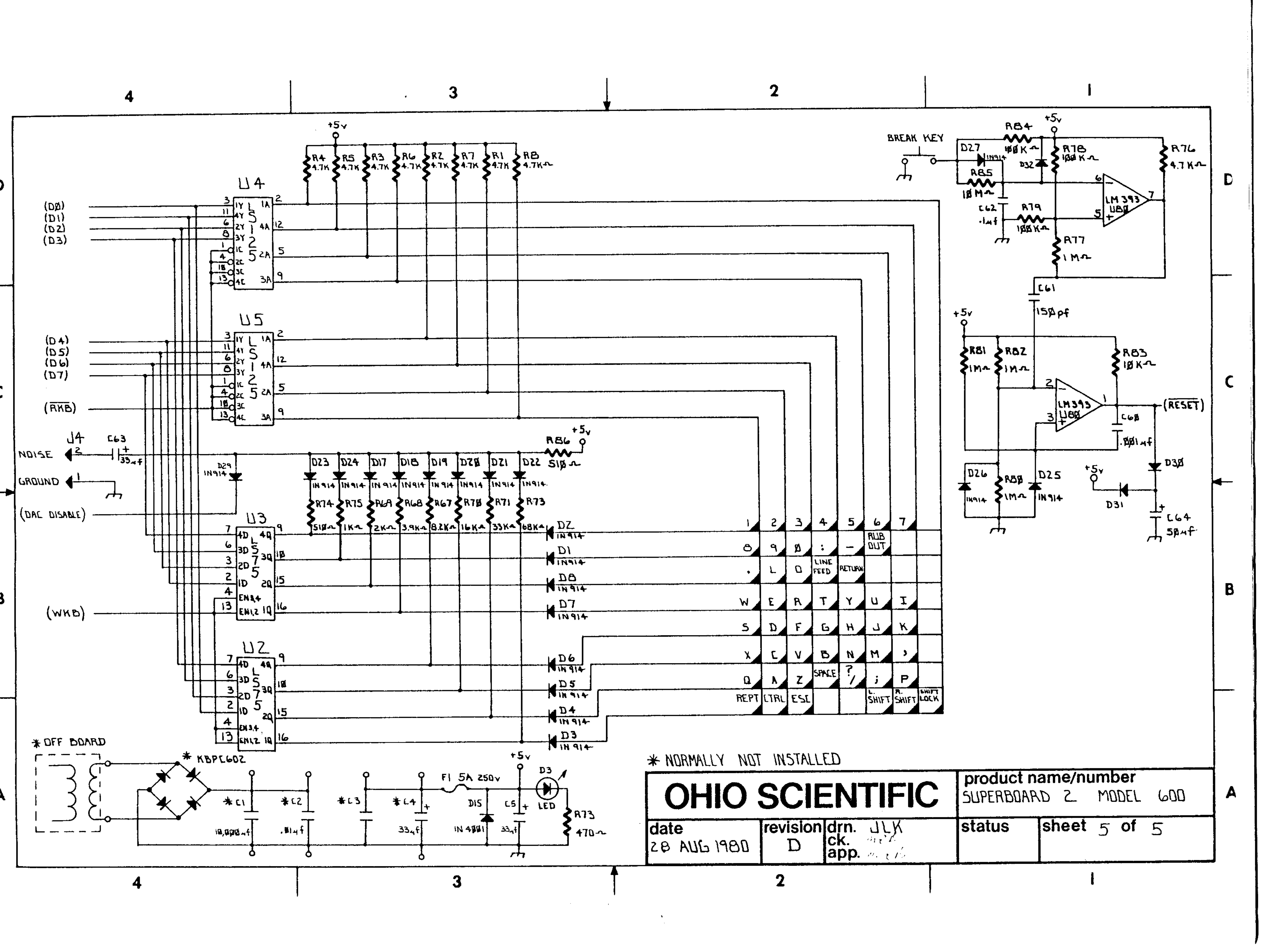
OHIO SCIENTIFIC			product name/number SUPERBOARD 2 MODEL 600	
date 20 AUG 1980	revision D	drn. JLK ck. 488 app. 488	status	sheet 2 of 5



OHIO SCIENTIFIC			product name/number SUPERBOARD 2 MODEL 600	
date 28 AUG 1980	revision D	drn. JLK ck. MEB app. GCP	status	sheet 3 of 5



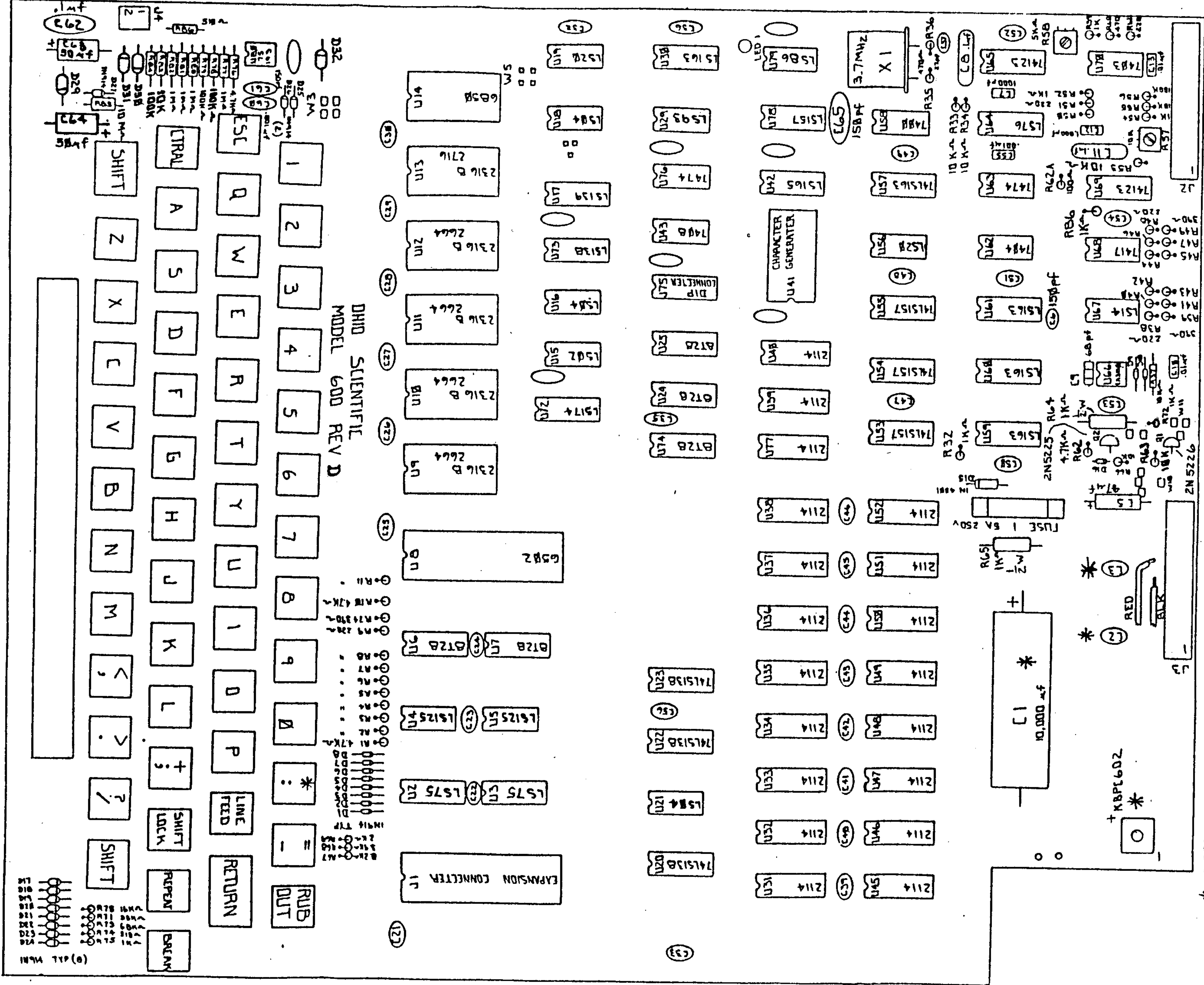
OHIO SCIENTIFIC			product name/number SUPERBOARD 2 MODEL 600	
date 28 AUG 1980	revision D	drn. JLK ck. <i>[initials]</i> app. <i>[initials]</i>	status	sheet 4 of 5



* NORMALLY NOT INSTALLED

OHIO SCIENTIFIC			product name/number	
			SUPERBOARD 2 MODEL 600	
date	revision	drn. ck.	status	
28 AUG 1980	D	JLK app.	sheet 5 of 5	

NOTE ~ ALL UNMARKED CAPACITORS ARE .1µF BYPASS CAPACITORS



* NORMALLY NOT INSTALLED

3 NOV 1980

J.L.K.