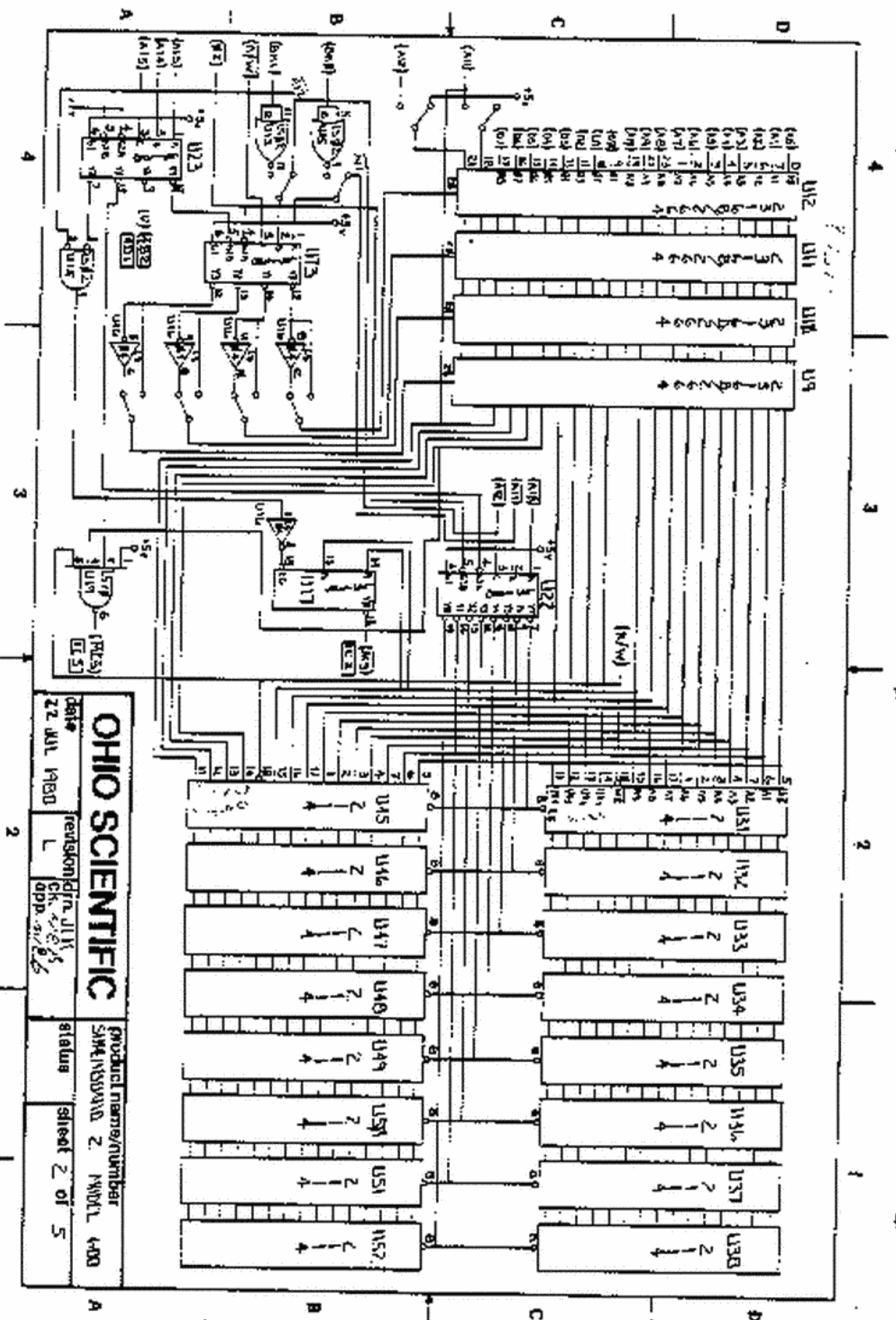
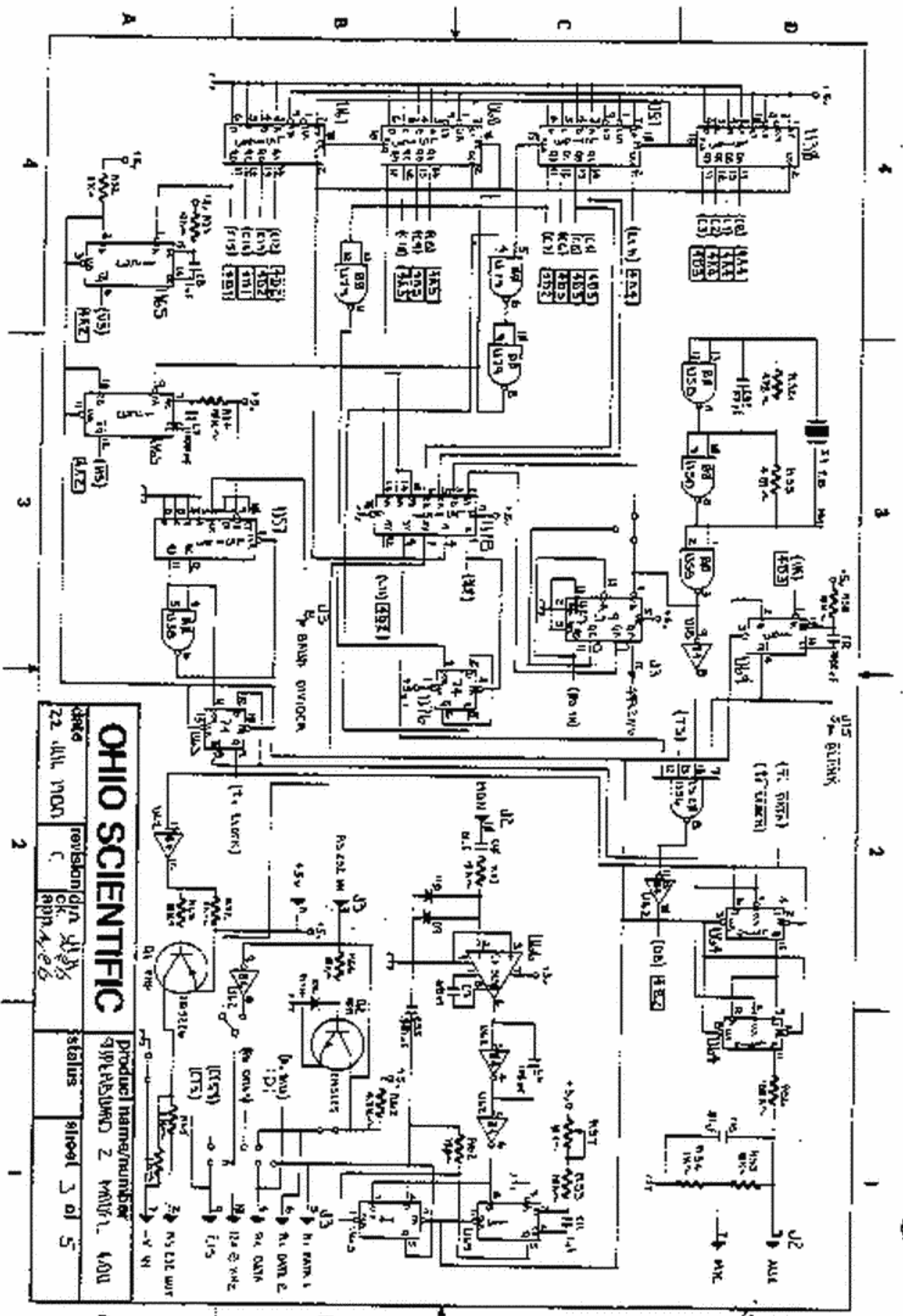


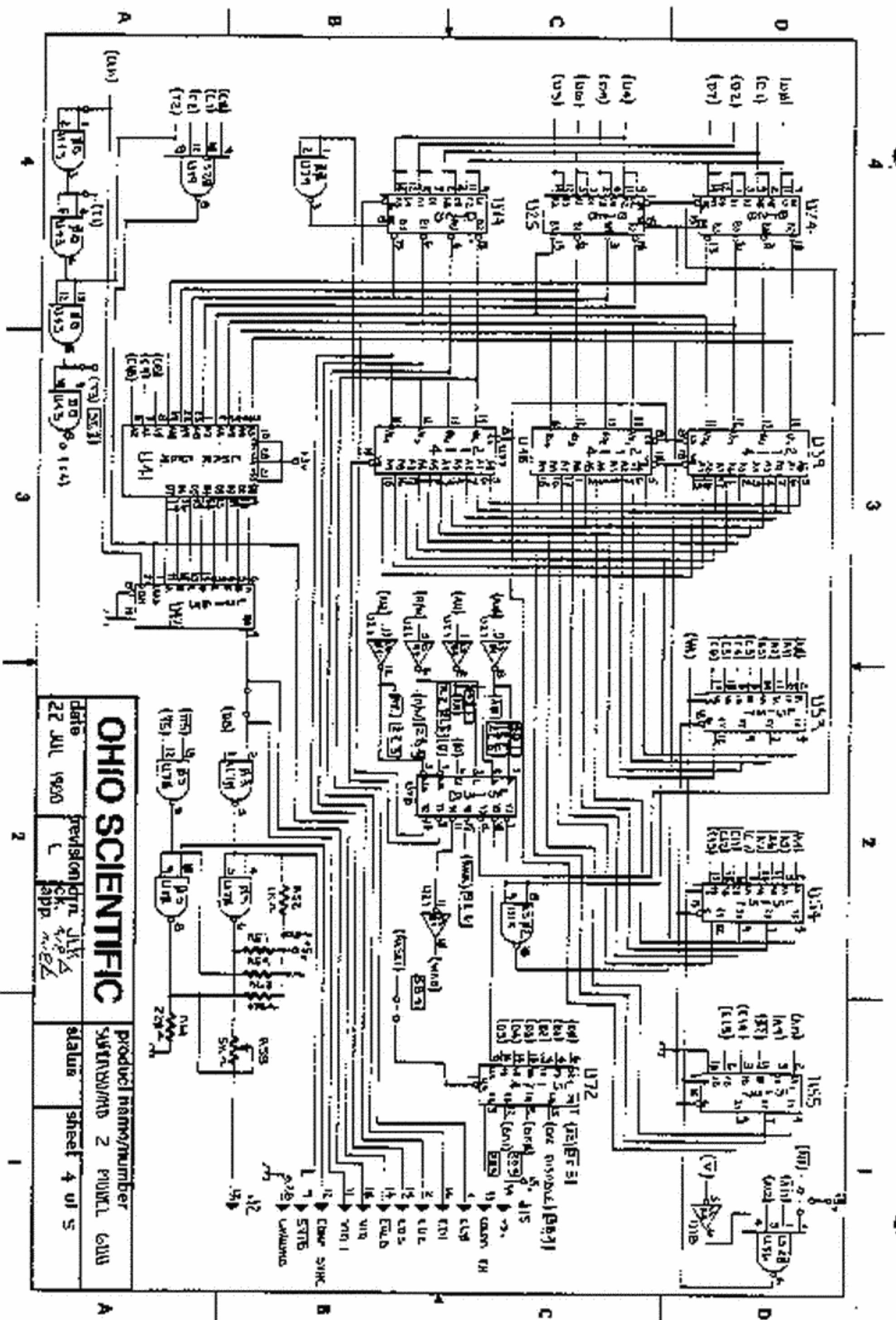
OHIO SCIENTIFIC		Product name/number	
SUPERBOARD 2 PEXEL LUM		2 PEXEL LUM	
date	revision	status	sheet 1 of 5
22 JUL 1981	Rev. 1.1		
	FCR, R/C, S		
	APPARATUS		



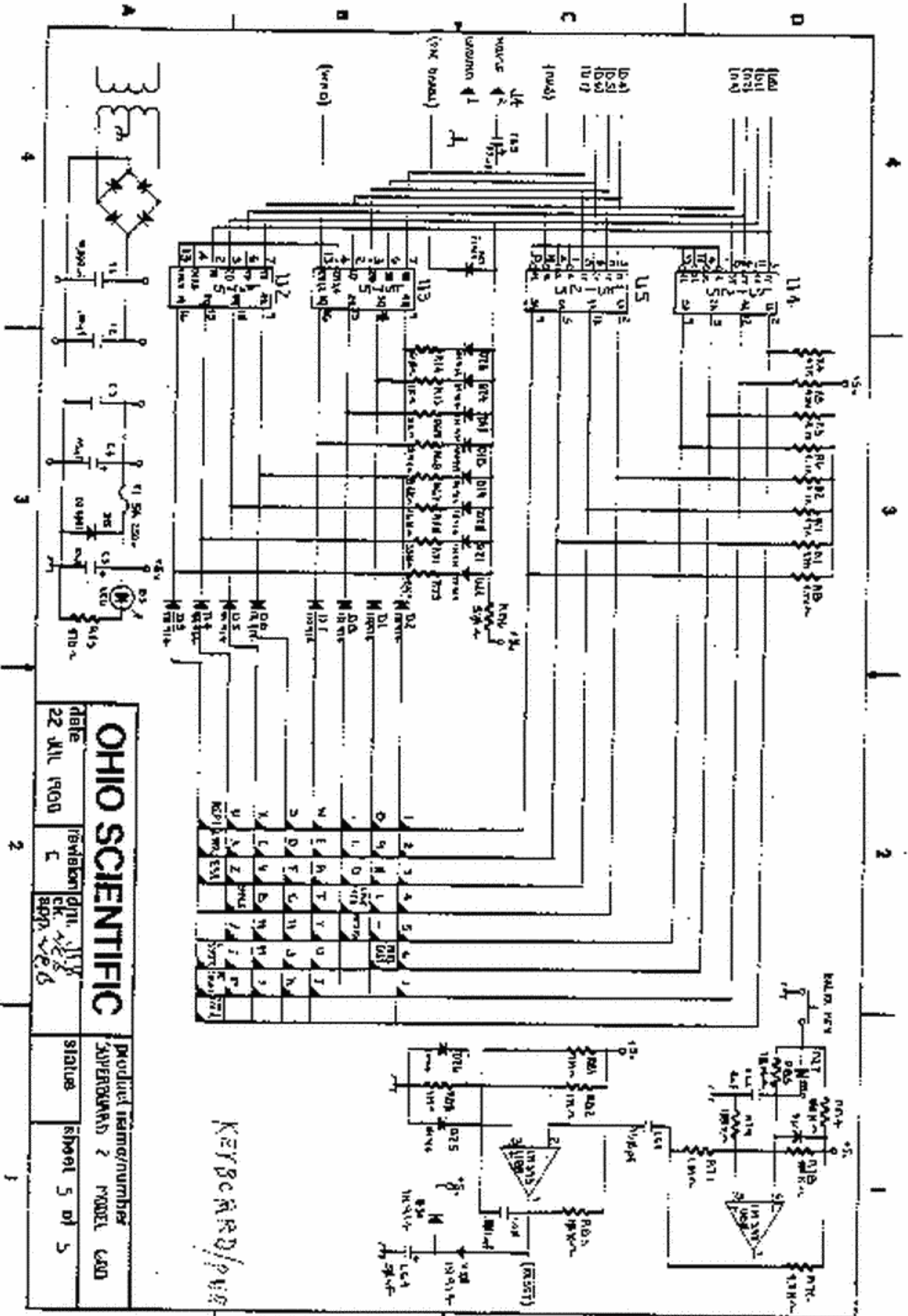
OHIO SCIENTIFIC		Product name/number SMENISSVARD 2. MODEL 400	
Date 22 JUL 1980	revision L	Drawn JLV	status
		Checked C.R.	sheet 2 of 5
		Approved S.V.	



OHIO SCIENTIFIC		Product name/number	
APPLSUDND 2		MAY 1, 1961	
DATE	revision/dwn	status	sheet
22 JUL 1961	C	APR 4 66	3 of 5



OHIO SCIENTIFIC
 Product name/number: SWITCHBOARD 2 PULL 6011
 date: 27 JUL 1950
 revision: 1
 drawn by: JLK
 checked by: JPK
 approved by: JPK
 status:
 sheet: 4 of 5

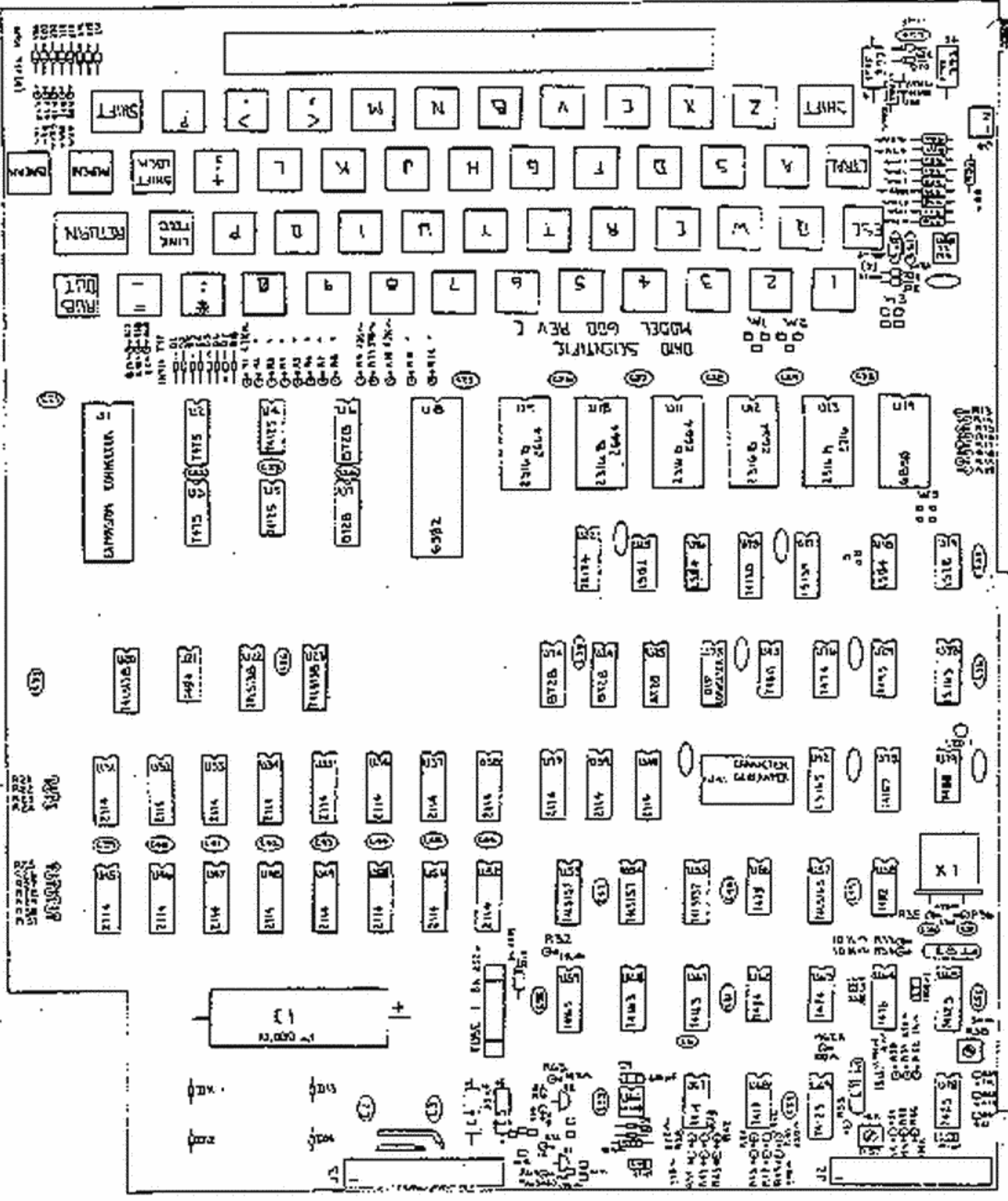


OHIO SCIENTIFIC
 Product Item/number
 ADVERTISER 2 MODEL 600

date 22 JUL 1980
 revision C
 dr. 11/80
 ck. 12/80
 app. v.e.d.

status sheet 5 of 5

KEYBOARD/PC



DND SKIDTR12
MODEL 600 REV L

12VDC
1000µF
100Ω

EXPANDER TERMINAL

5141 35 5141

5141 5 5141

5141 5 5141

6582

4112 4112

4112 4112

4112 4112

4112 4112

4112 4112

4112 4112

4112 4112

4112 4112

4112 4112

4112 4112

4112 4112

4112 4112

4112 4112

4112 4112

4112 4112

4112 4112

4112 4112

4112 4112

4112 4112

4112 4112

4112 4112

4112 4112

4112 4112

4112 4112

12VDC
1000µF
100Ω

4112 4112

4112 4112

4112 4112

4112 4112

4112 4112

4112 4112

4112 4112

4112 4112

12VDC

1000µF

100Ω

12VDC

1000µF

100Ω