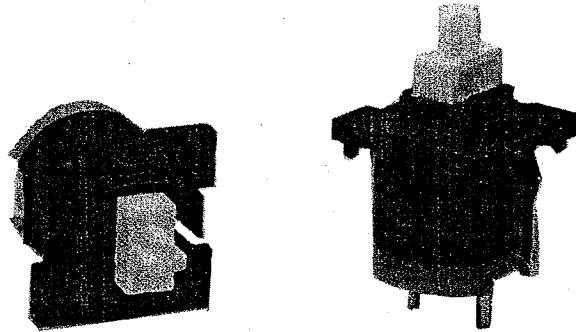


Full travel keyboard switch with gold contacts



FEATURES

- Life 10 million keystrokes
- Gold plated contacts
- Momentary action or alternate action (locking)
- Various style keycaps available

SPECIFICATIONS

MECHANICAL

Operating force	3.5 ±0.8 Oz.
Pretravel	0.03 ±0.01 In.
Total travel	0.12 ±0.01 In.

ELECTRICAL

Current	1 mA
Voltage	24 VDC
Contact resistance	100 mOhm max.
Bounce	5 mSec. max.
Circuit	S.P.S.T. Normally open

ENVIRONMENTAL

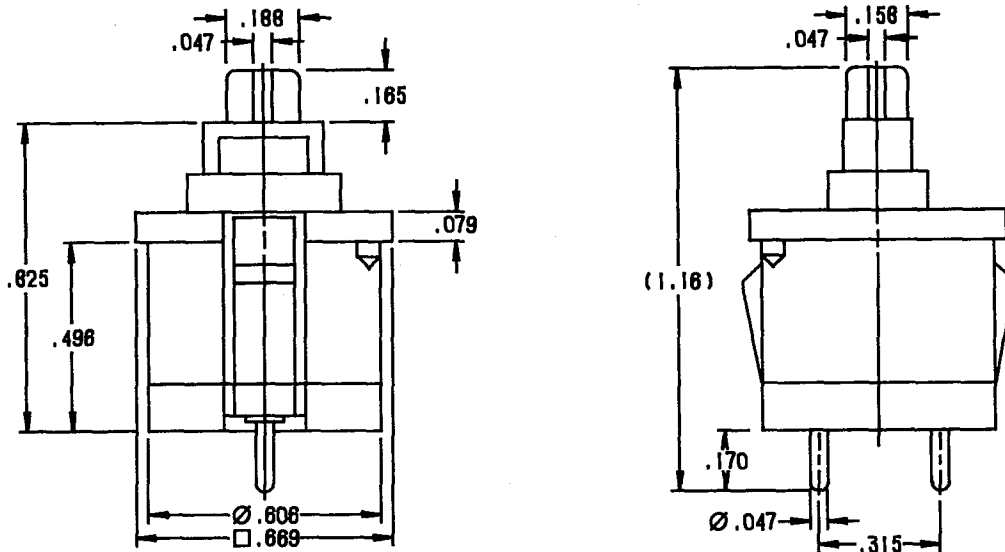
Life	10,000,000 cycles
Operating temperature	-10° - +60°C
Storage temperature	-30° - +80°C
Humidity	0 - 95% non condensing



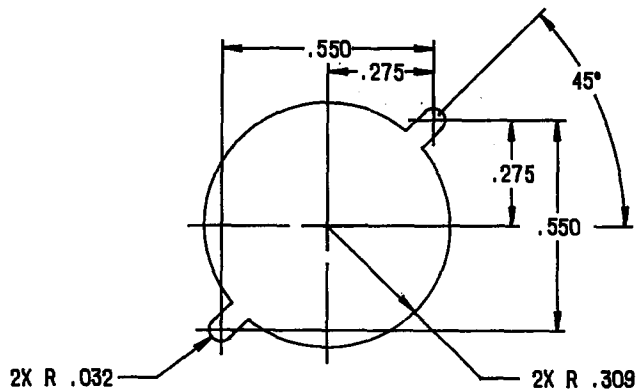
GEORGE RISK INDUSTRIES, INC.

GRI PLAZA • KIMBALL, NEBRASKA 69145-1599
TEL: 800-445-5218 FAX: 308-235-2609
800-523-1227
308-235-4645

DIMENSIONS



MOUNTING PANEL CUTOUT



Recommended panel thickness: .050 IN.

P.W.B. LAYOUT AND SCHEMATIC



ORDERING INFORMATION

Part Number Momentary Action: KBM-01-01
 Alternate Action: KBM-01-01-AA

BULLETIN S-16



GEORGE RISK INDUSTRIES, INC.

GRI PLAZA • KIMBALL, NEBRASKA 69145-1599
 TEL: 800-445-5218 FAX: 308-235-2609
 800-523-1227
 308-235-4645