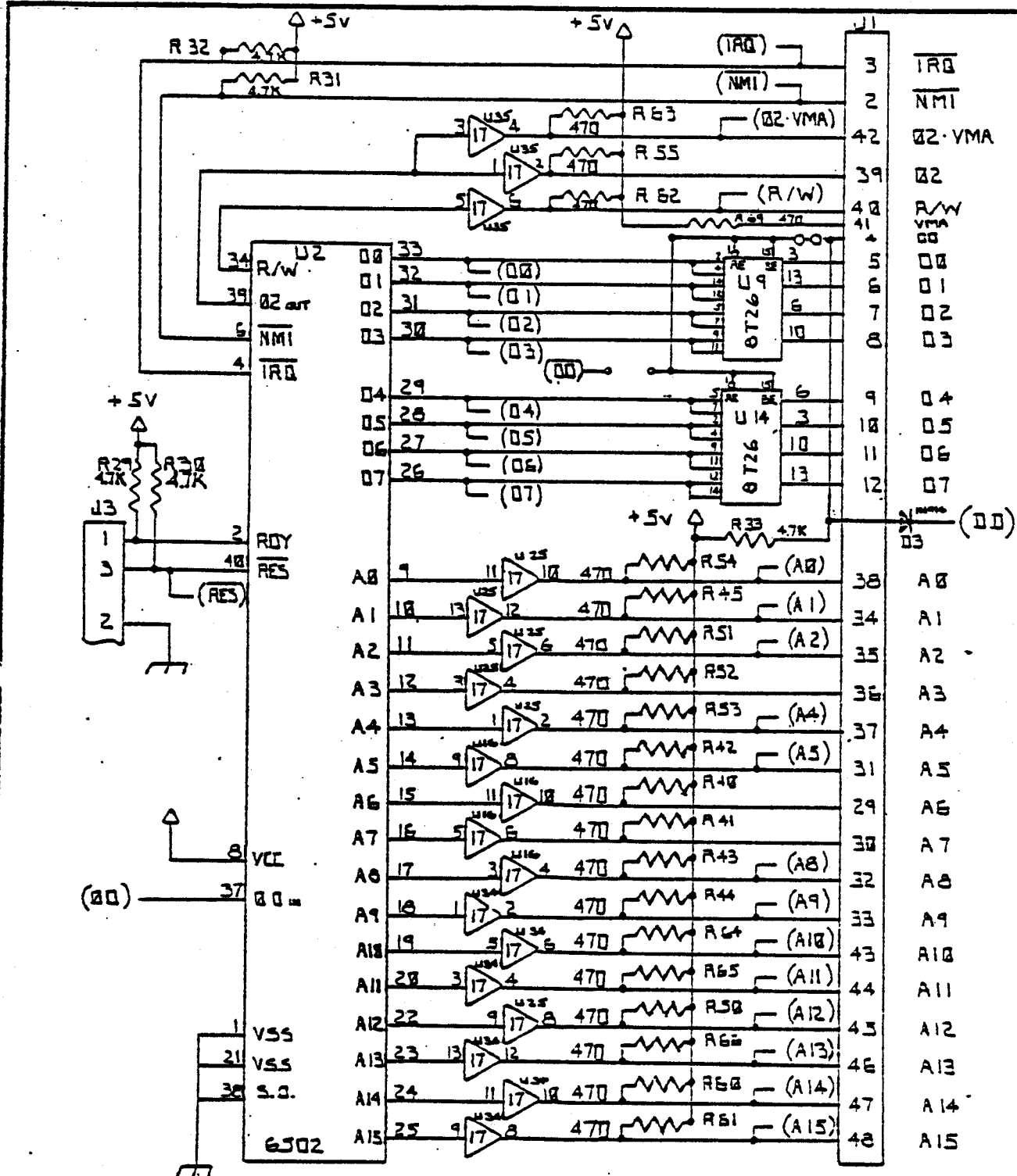


505
Rev A

MODEL 505

REV. A	24 JUN 1978



OHIO SCIENTIFIC

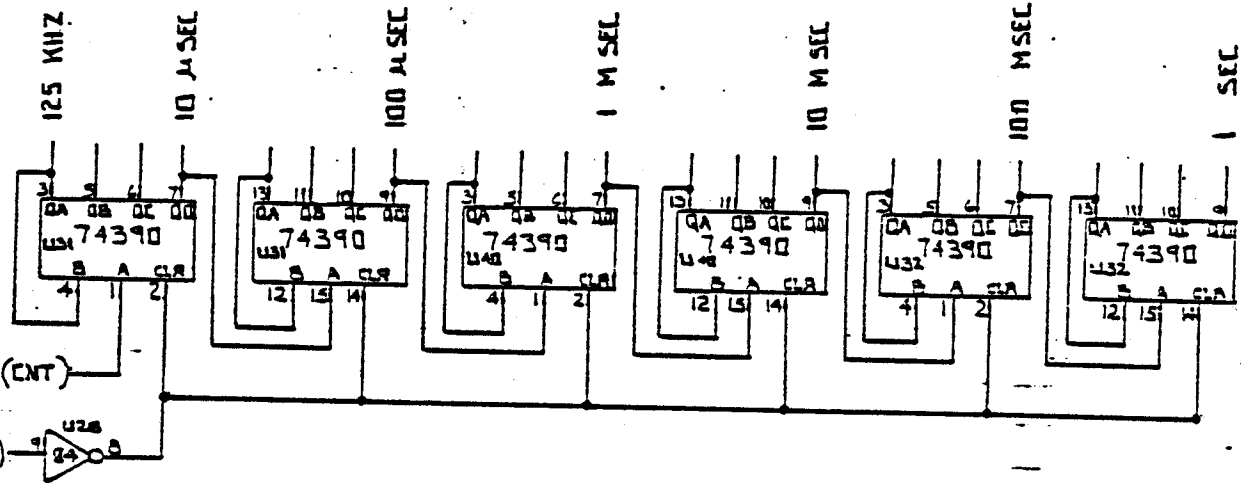
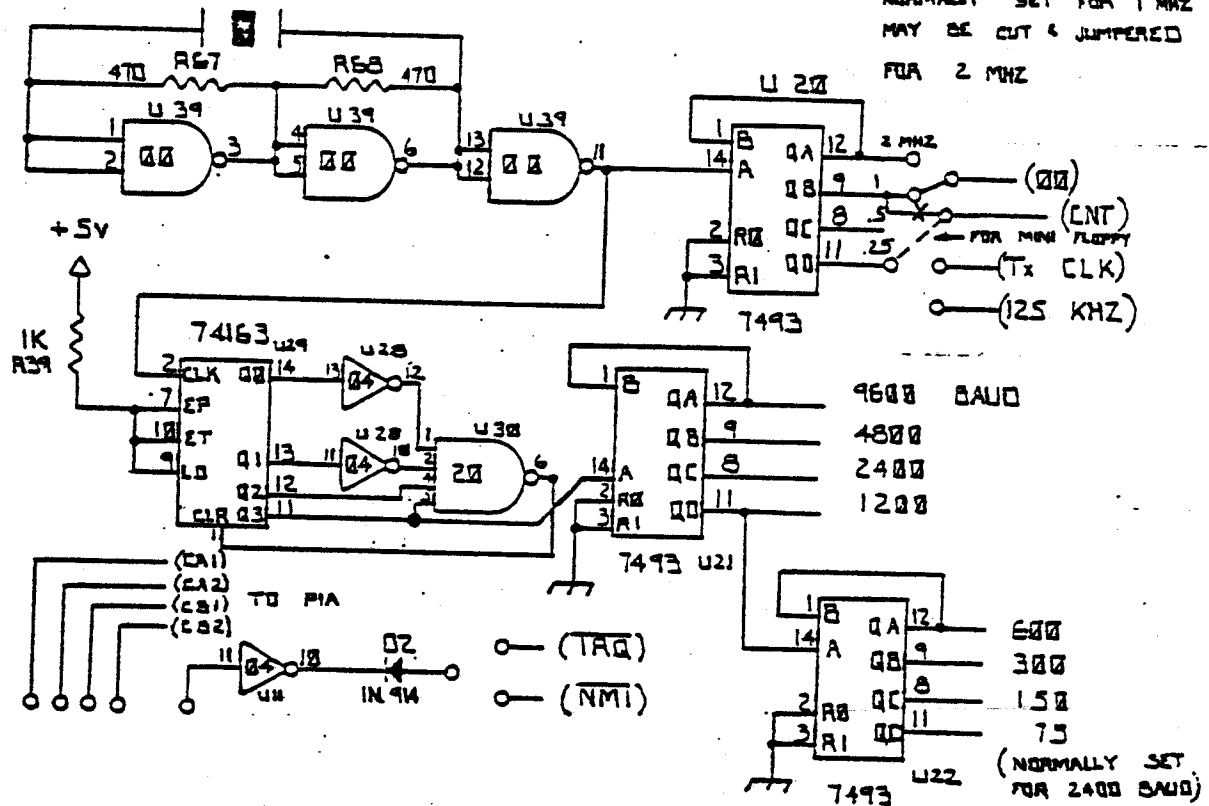
product name/number
MODEL 505 ~ (MP AND BUS)

date 24 JUN 1978	revision	page	status	sheet 1 of 8
---------------------	----------	------	--------	--------------

SYSTEM CLOCK

X-1
4.000 MHZ

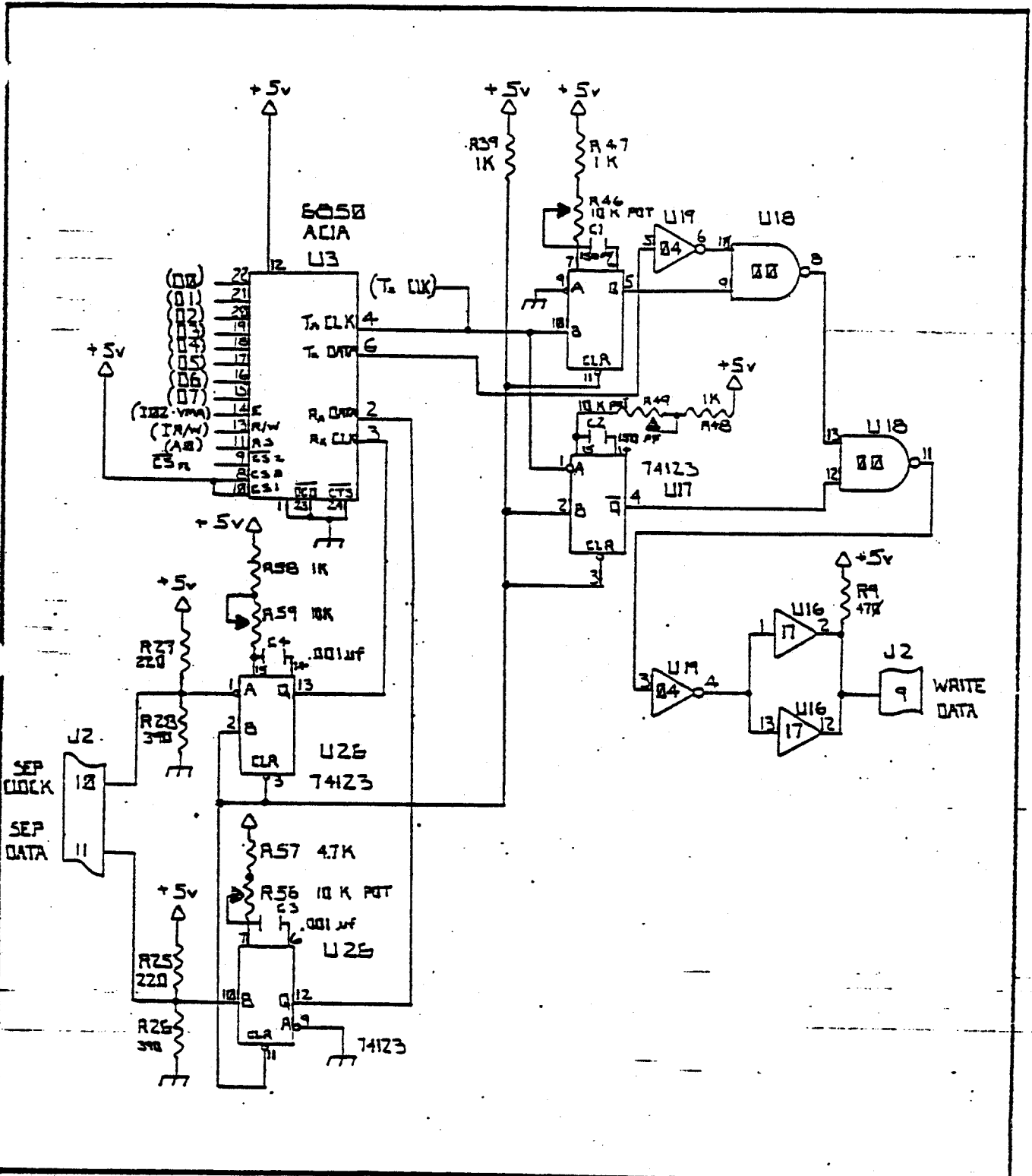
NORMALLY SET FOR 1 MHZ
MAY BE CUT & JUMPED
FOR 2 MHZ



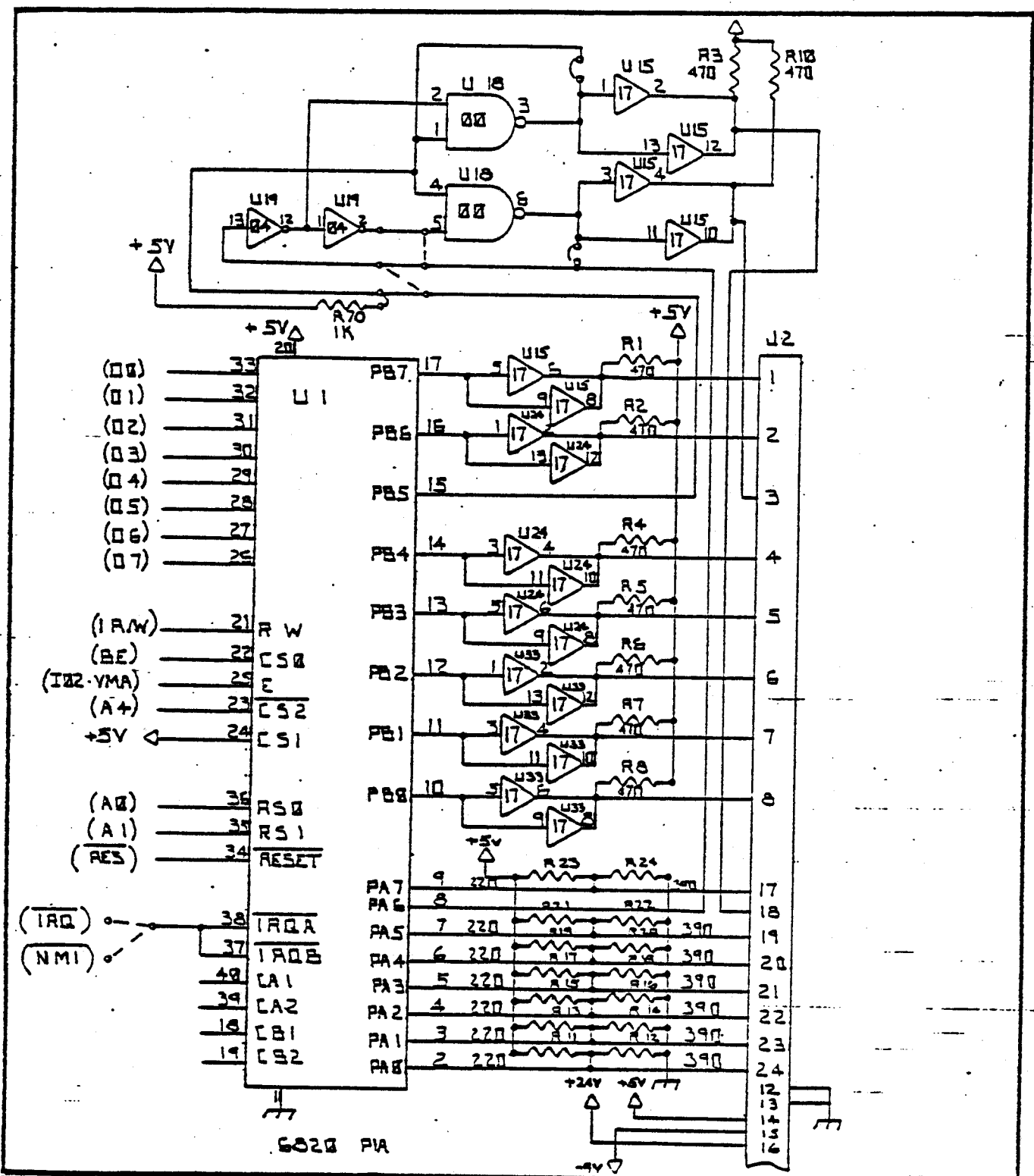
OHIO SCIENTIFIC

product name/number
MODEL S85 - (CLOCK, BRG & IRQ GEN.)

date 24 JUN 1978	revision	page	status
			sheet 2 of 8



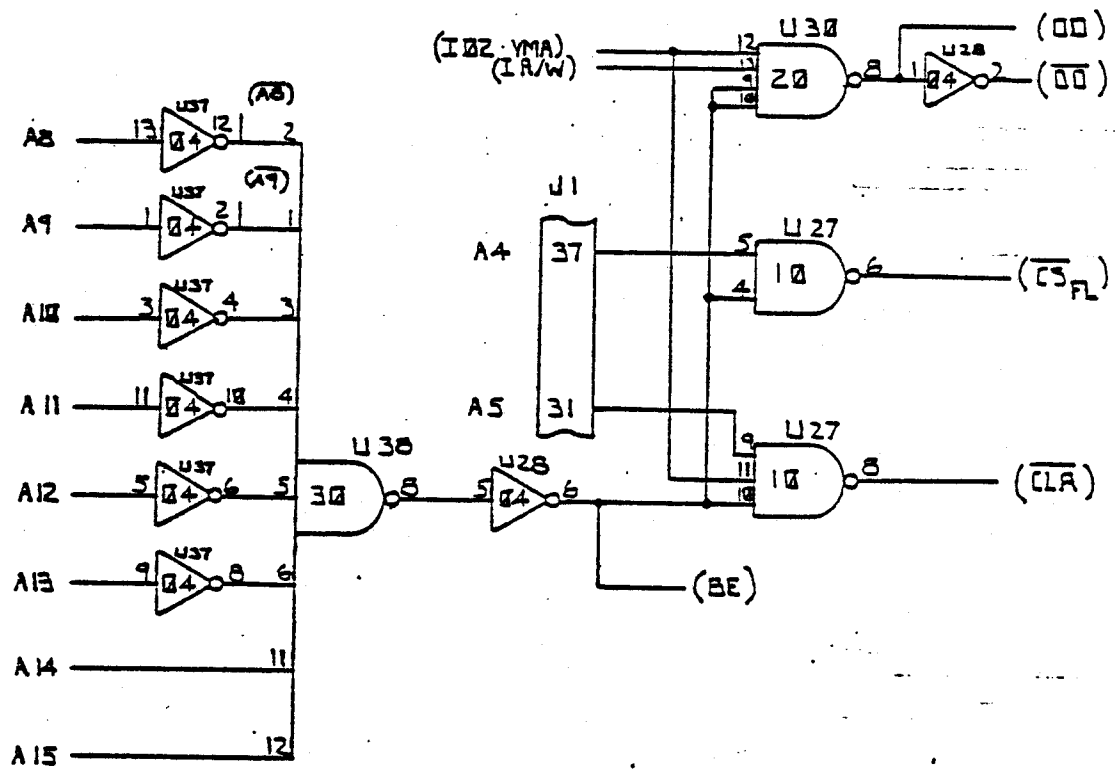
OHIO SCIENTIFIC			product name/number MODEL S05 ~ (FLOPPY INTERFACE)	
date 28 JUN 1978	revision	page	status	sheet 3 of 8



OHIO SCIENTIFIC

product name/number
 MODEL S05 ~ (FLOPPY INTERFACE)

date 23 JUN 1978	revision	page	status	sheet 4 of 8
---------------------	----------	------	--------	--------------



OHIO SCIENTIFIC

product name/number

MODEL 505 ~ (FLOPPY INTERFACE)

date

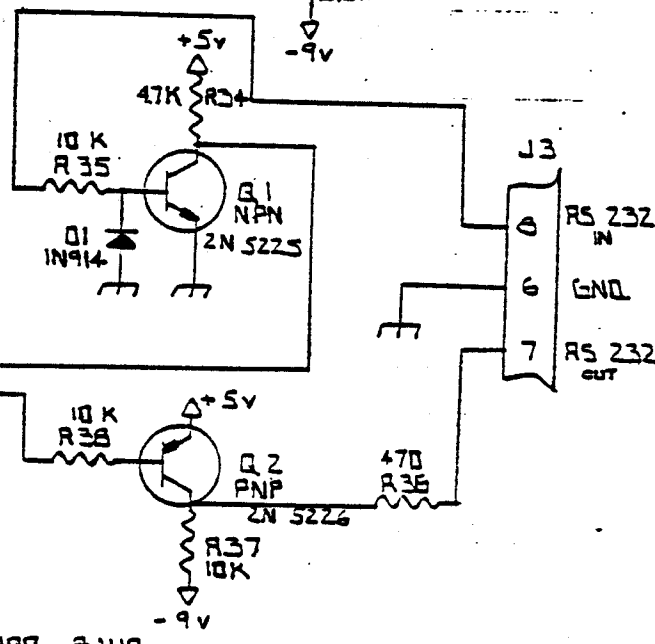
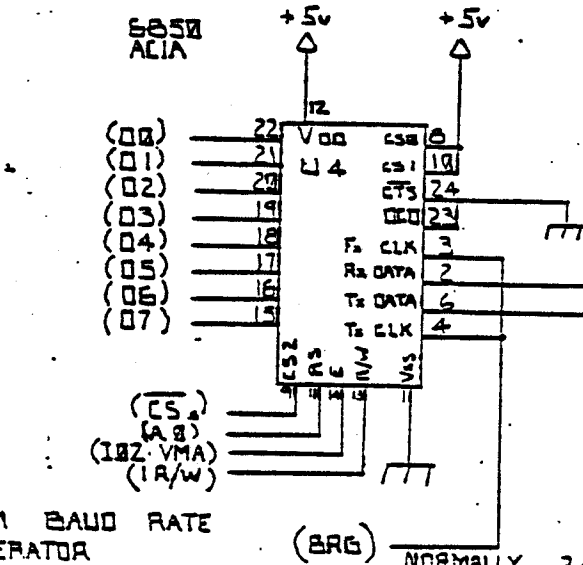
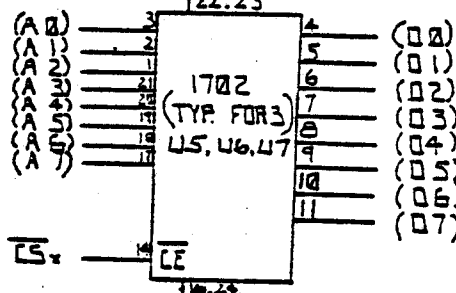
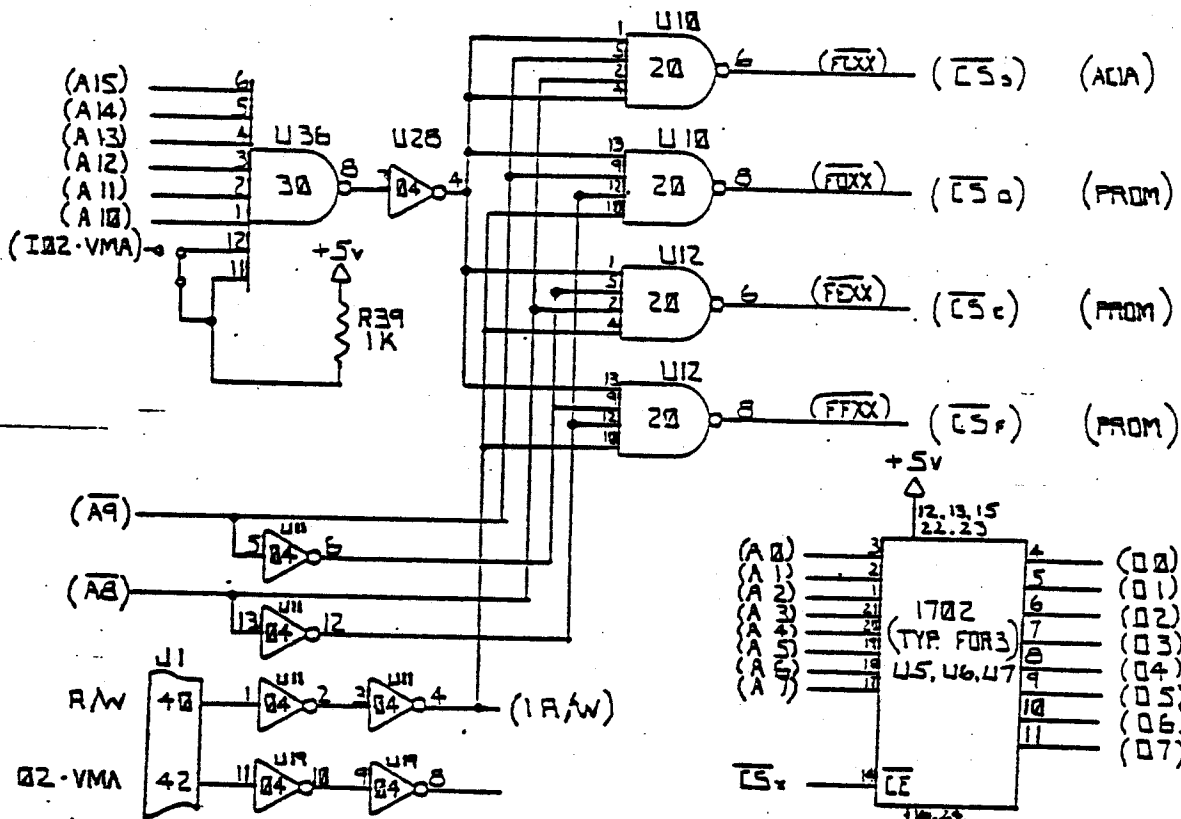
23 JUN 1978

revision

page

status

sheet 5 of 8



FROM BAUD RATE GENERATOR (BRG) NORMALLY 2400 BAUD

OHIO SCIENTIFIC

product name/number

MODEL 505 - (PROMS + SERIAL INTERFACE)

date

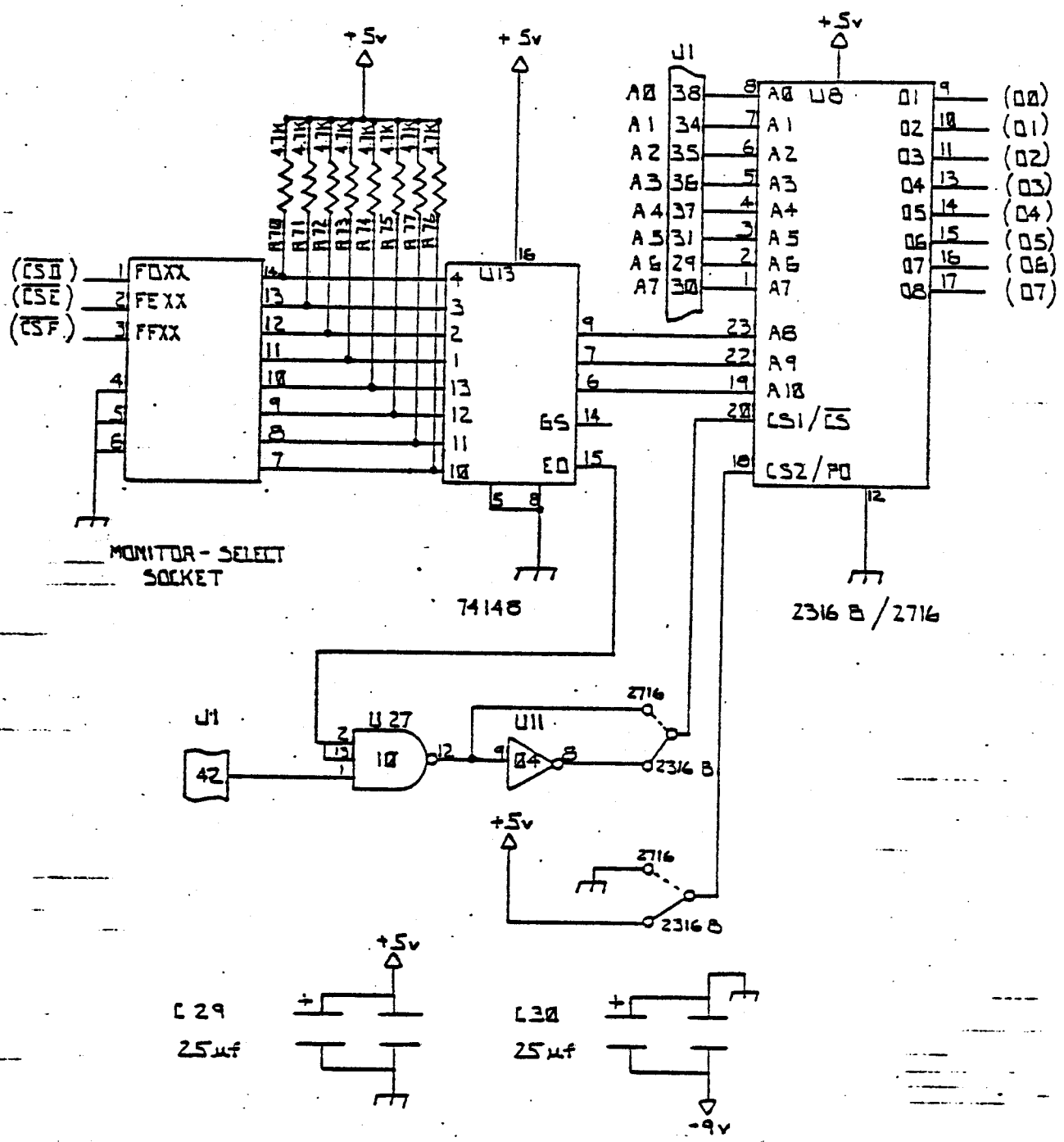
27 JUN 1978

revision

page

status

sheet 6 of 8



NOTE - ALL BYPASS CAPS ARE 10µf @ 10VDC FOR LOCATIONS SEE BILL OF MATERIAL

OHIO SCIENTIFIC			product name/number	
			MODEL 515 ~ (MONITOR ROM)	
date	revision	page	status	sheet 7 of 8
28 JUN 1978				

CS
CS₀
CS₁
CS₂
CS₃

CHIP SELECT- FLOPPY DISK
CHIP SELECT - SERIAL (TO ACIA) (FCXX)
CHIP SELECT - PROM (FDXX)
CHIP SELECT - PROM (FEXX)
CHIP SELECT - PROM (FFXX)

CONNECTORS:

- J1 - (BI-B48) RACKPLANE (QUAD MOLEX)
- J2 - VO CONNECTOR + RESET (MOLEX)
- J3 - FLOPPY CONNECTOR (DUAL MOLEX)
- J4 - FLOPPY POWER (OMITTED)

OHIO SCIENTIFIC		product name/number		
		MODEL 525 - ORIGINAL & COMM IDENTIFICATION		
date	revision	page	status	sheet 8 of 8
30 JAN 78	8			

