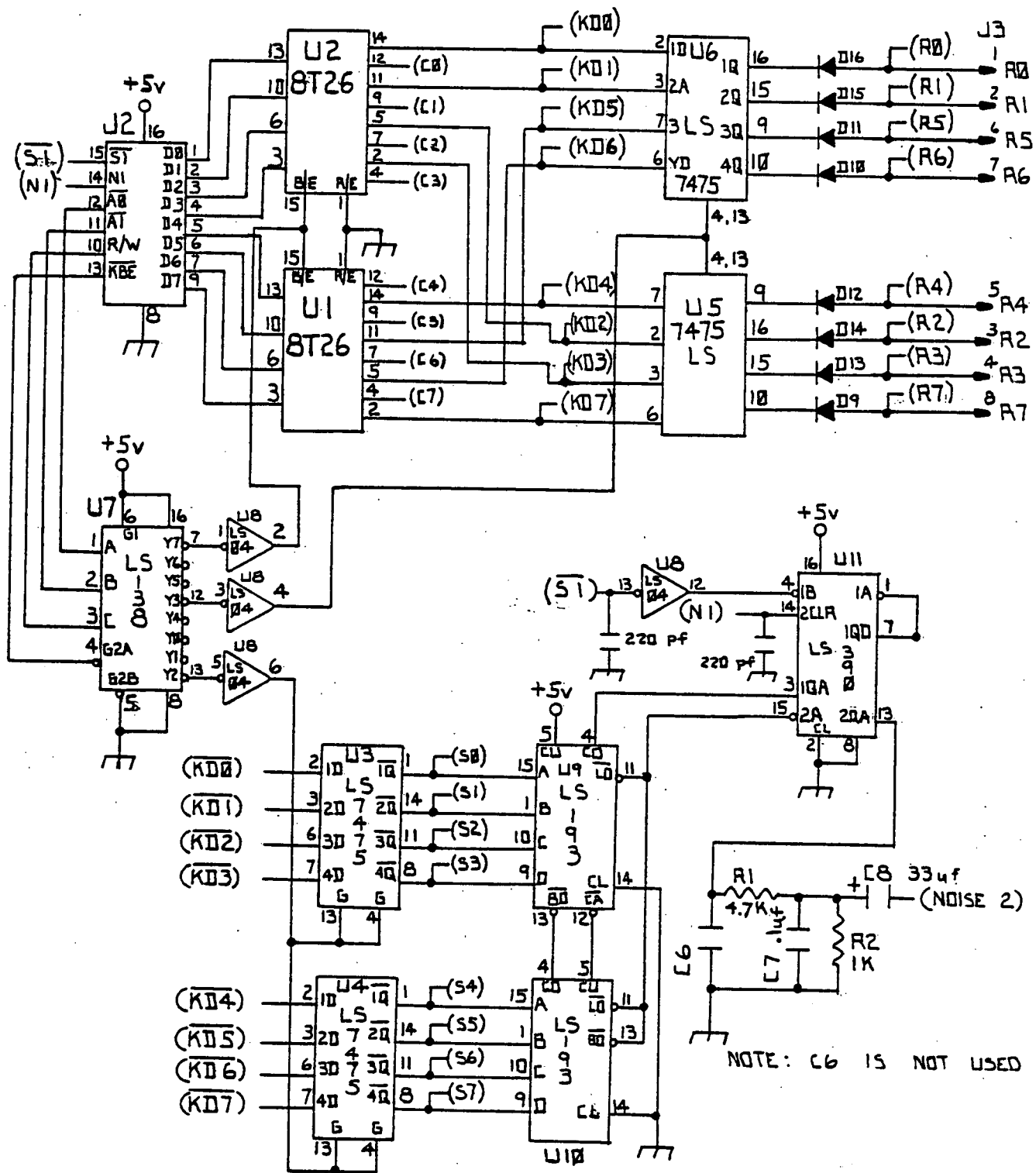


MODEL 542 REV B SCHEMATICS

REV B	15 AUG 1979



OHIO SCIENTIFIC

product name/number

MODEL 542 POLLED KEYBOARD

date 15 AUG 1979

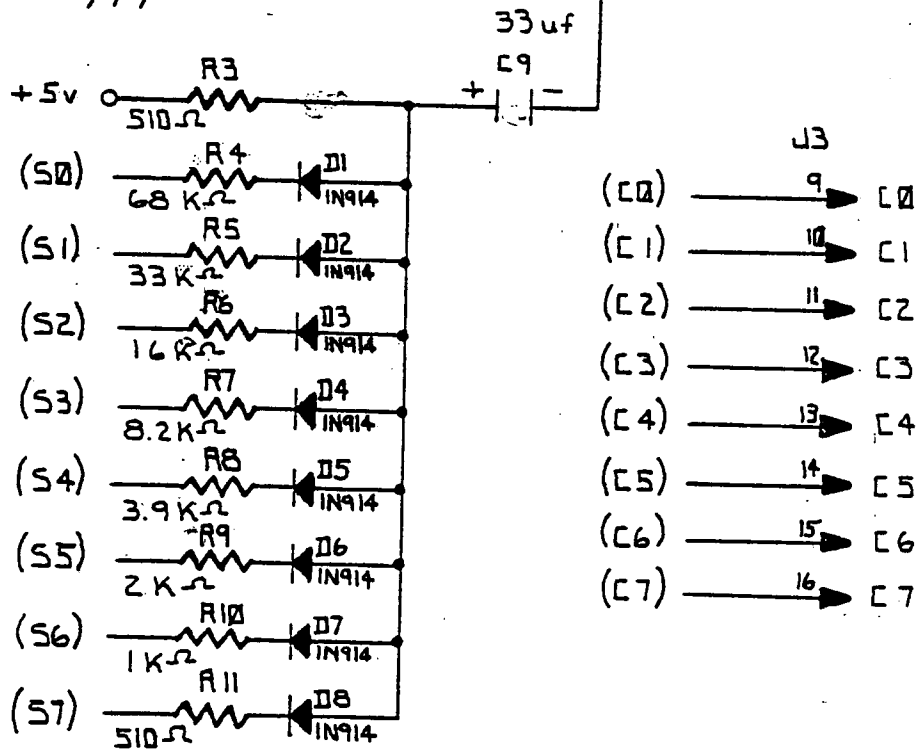
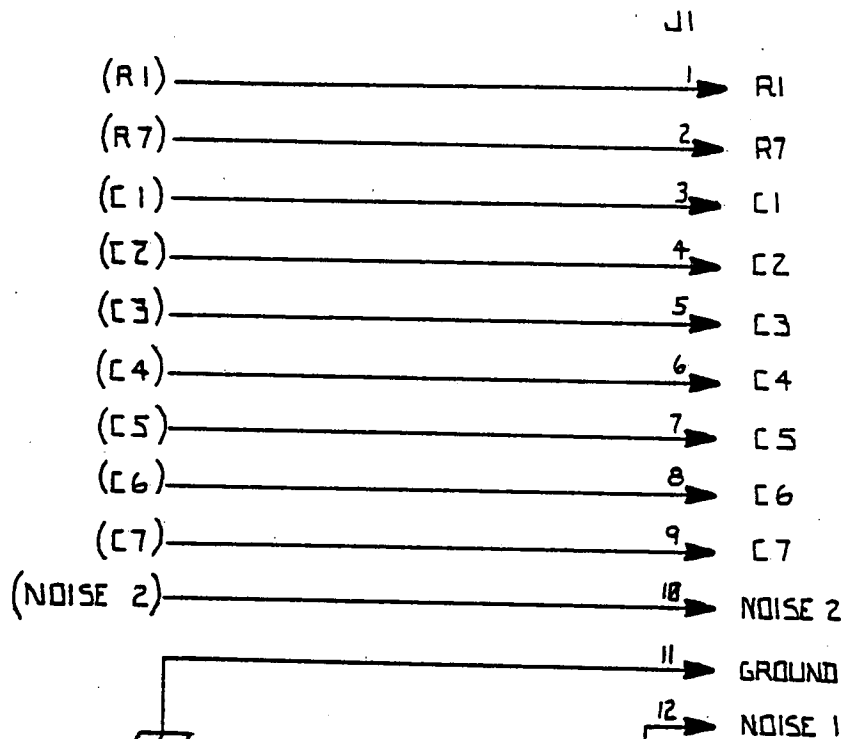
revision B

page

status

sheet 1 of 3

DRAWN ~ J.L.K.



OHIO SCIENTIFIC

product name/number
MODEL 542 REV B

date 15 AUG 1979

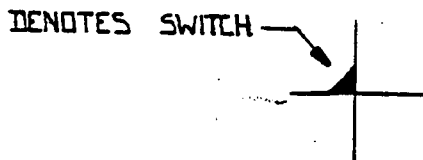
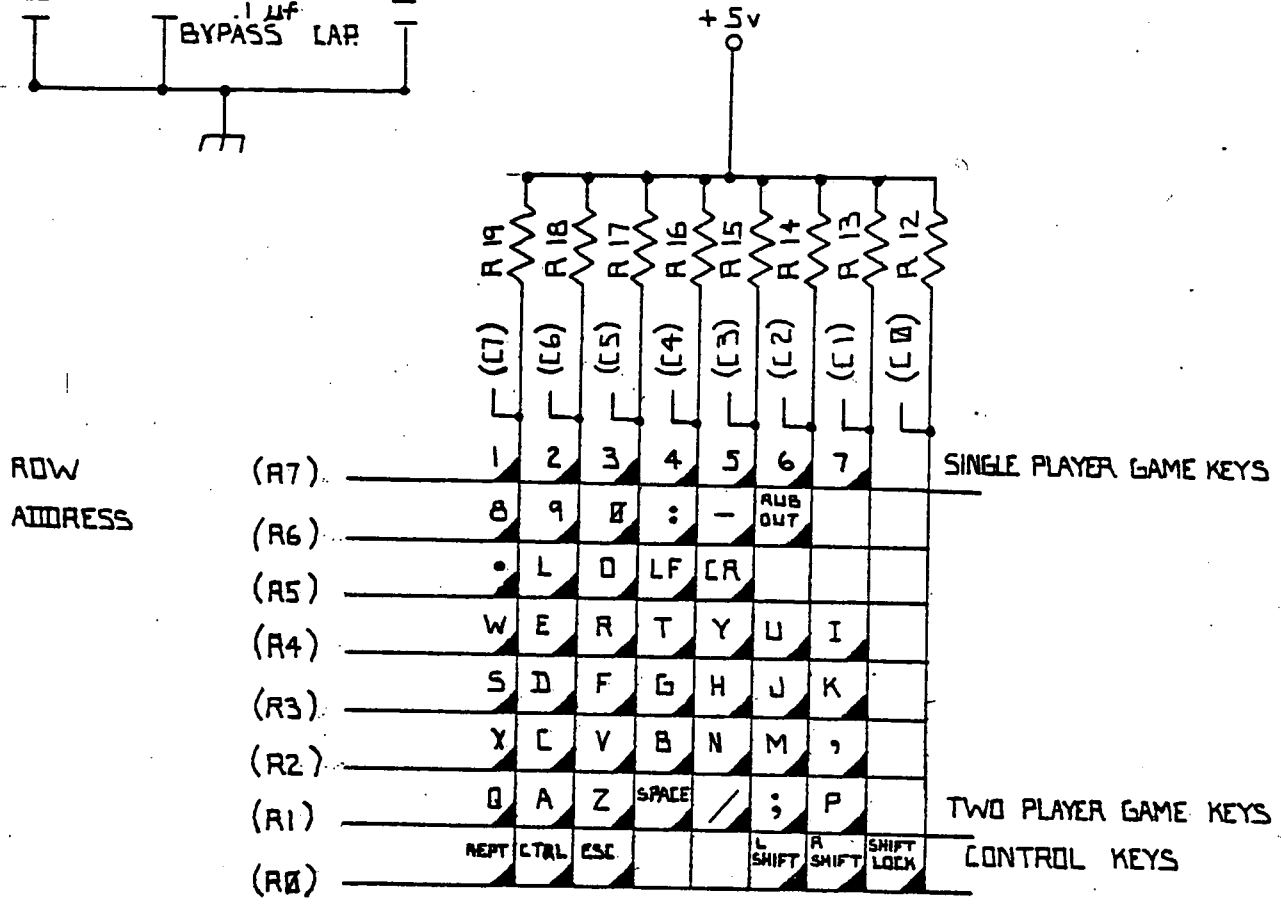
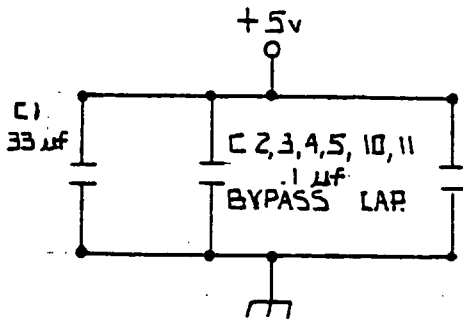
revision
B

page

status

sheet 2 of 3

DRAWN ~ J.L.K.



TO SYSTEM
RESET CIRCUITRY

NOTES:

- STANDARD 53 KEY LAYOUT EXCEPT:
 - "HERE IS" DELETED
 - "RUB OUT" AT "HERE IS" LOCATION
 - "SHIFT LOCK" AT "RUB OUT" LOCATION
 - "SHIFT" SEPERATELY DECDED FOR "LEFT SHIFT" AND "RIGHT SHIFT."

OHIO SCIENTIFIC

product name/number
MODEL 542 KEYSWITCH LOCATIONS

date 15 AUG 1979

revision
B

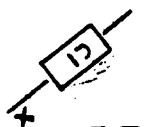
page

status

sheet 3 of 3

DRAWN ~ J.L.K.

J1



J2
16 PIN
CONNECTOR

74138

U1
8T26

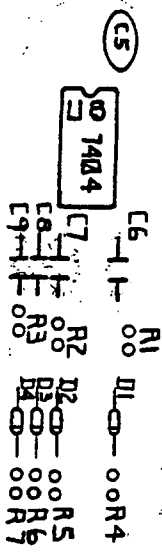
U2
8T26

U3
7475

U4
7475

U5
7475

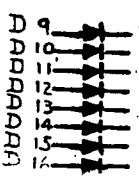
U6
7475



74193

74193

74390



- 1
- 2
- 3
- 4
- 5
- 6
- 7
- 8
- 9
- 0
- * (Asterisk)
- LINE FEED
- RETURN
- AUX OUT

R12 ○ C
R13 ○ C
R14 ○ C
R15 ○ C
R16 ○ C
R17 ○ C
R18 ○ C
R19 ○ C

- ESC
- CTRL
- A
- S
- D
- F
- G
- H
- J
- K
- L
- SHIFT LOCK
- REPT
- BREAK

- L.SHIFT
- Z
- X
- C
- V
- B
- N
- M
- ? (Question mark)
- SHIFT

MODEL 542 REV B

SPACE

J3
16 PIN
CONNECTOR