

* NORMALLY NOT INSTALLED

OHIO SCIENTIFIC

product name/number
ANALOG I/O MODEL 574

date
30 JUL 1980

revision/drn. J.L.K.
ck. *[signature]*

status

sheet 1 of 4

2

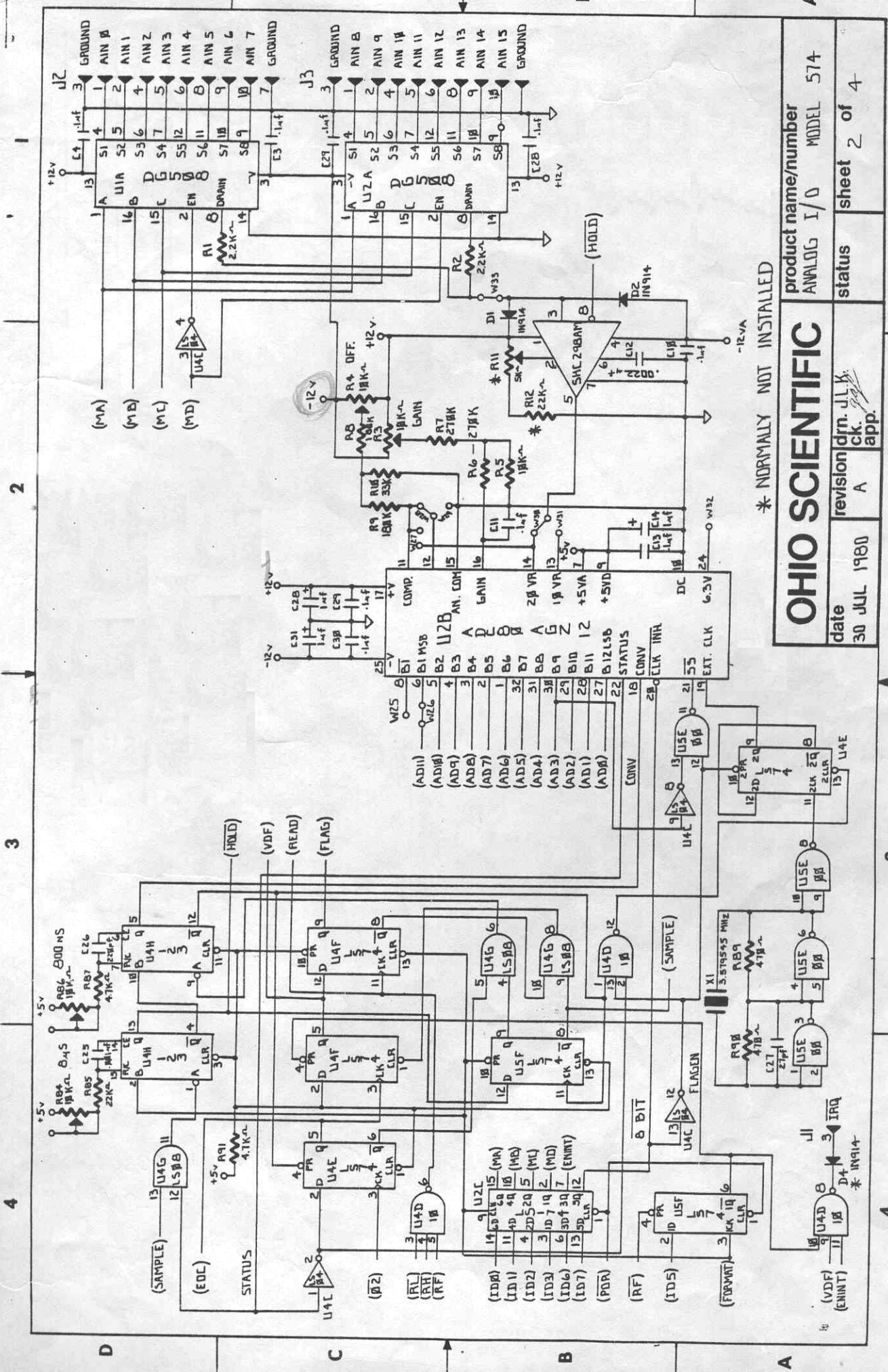
3

4

2

3

4



* NORMALLY NOT INSTALLED

OHIO SCIENTIFIC

product name/number
ANALOG I/O MODEL 574

date
30 JUL 1980

status
sheet 2 of 4

revision
A

revision drn. J.L.K.
ck. app.

2

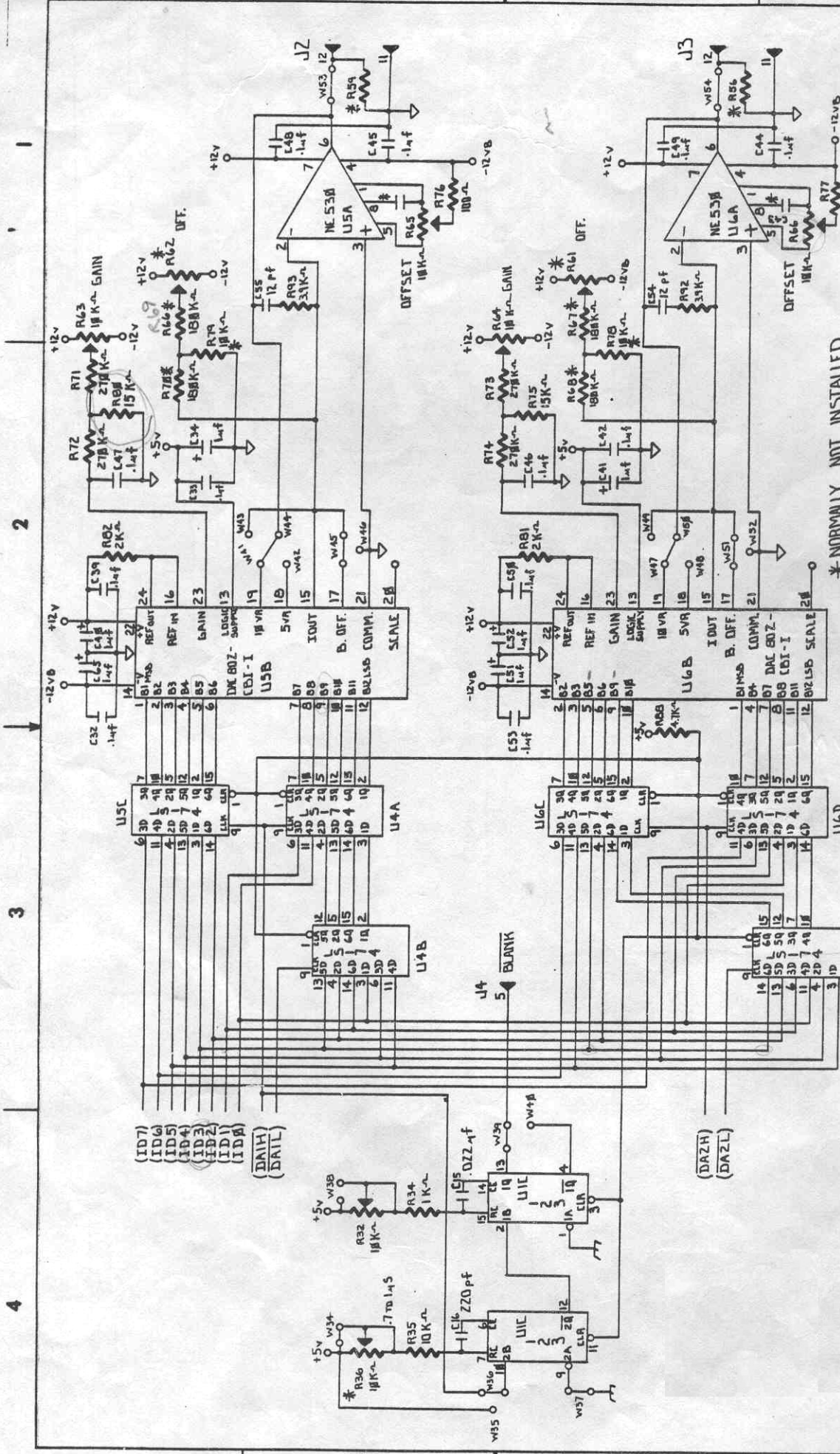
3

4

2

3

4

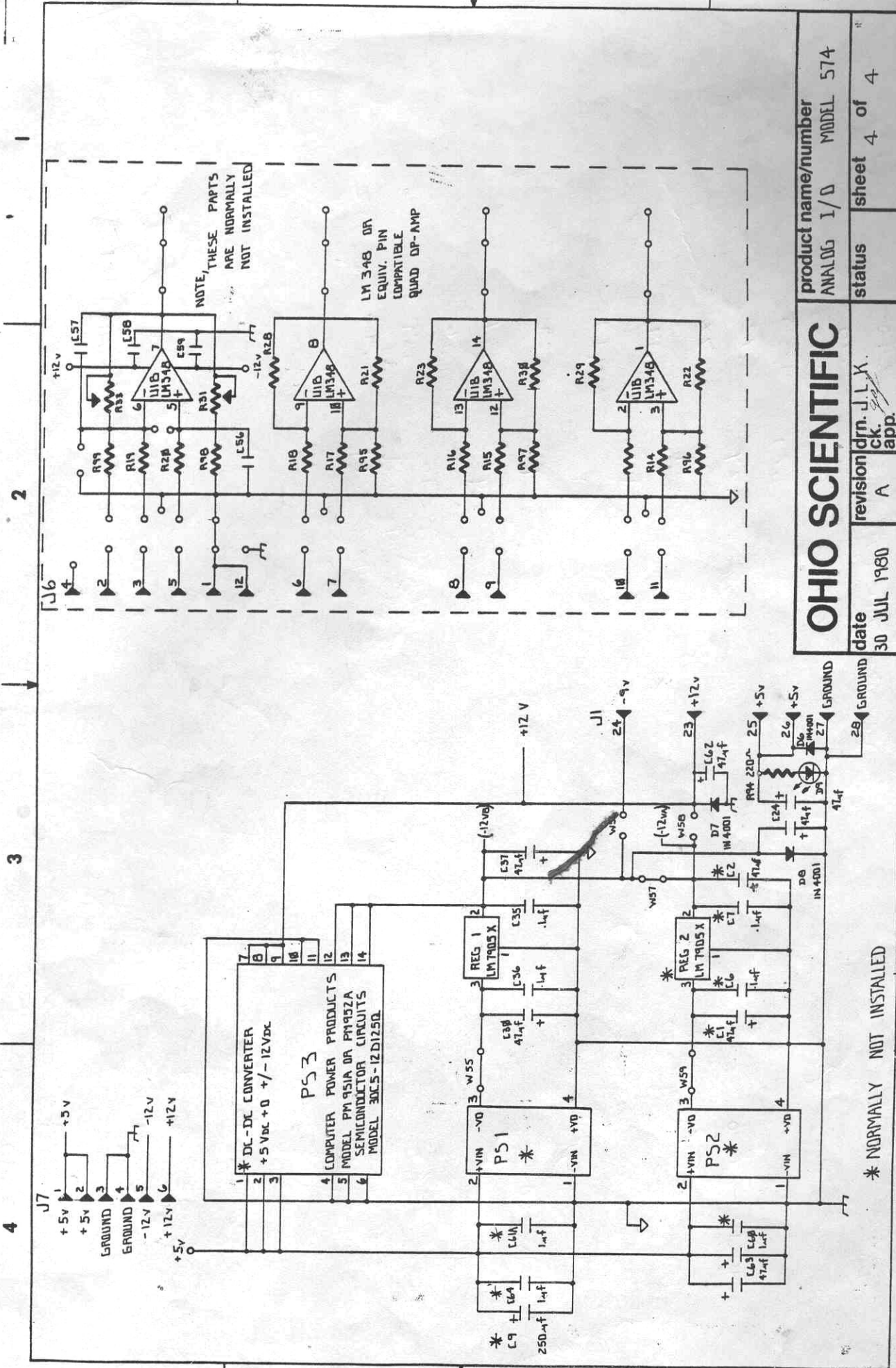


* NORMALLY NOT INSTALLED

OHIO SCIENTIFIC

product name/number
ANALOG I/O MODEL 574

date	revision	status	sheet
30 JUL 1980	drn. J.L.K. ck. <i>[initials]</i>	A	3 of 4



OHIO SCIENTIFIC

product name/number
 ANALOG I/O MODEL 574

revision drn. J.L.K.
 ck. app.
 A

date
 30 JUL 1980

status sheet 4 of 4

* NORMALLY NOT INSTALLED

2

3

4

2

3

4