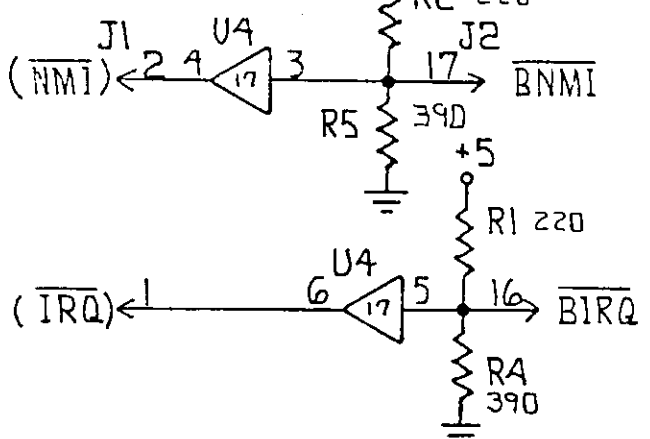
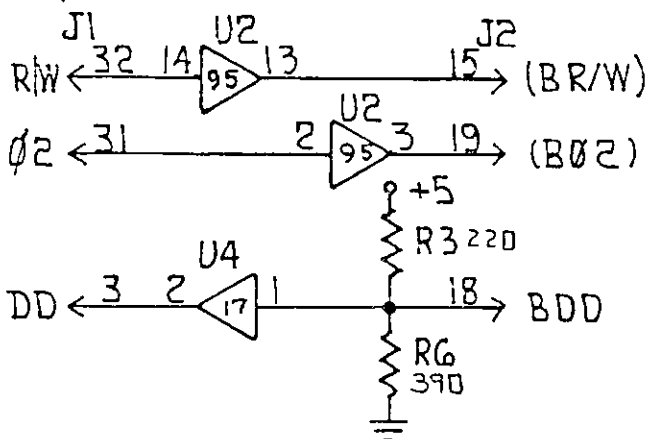
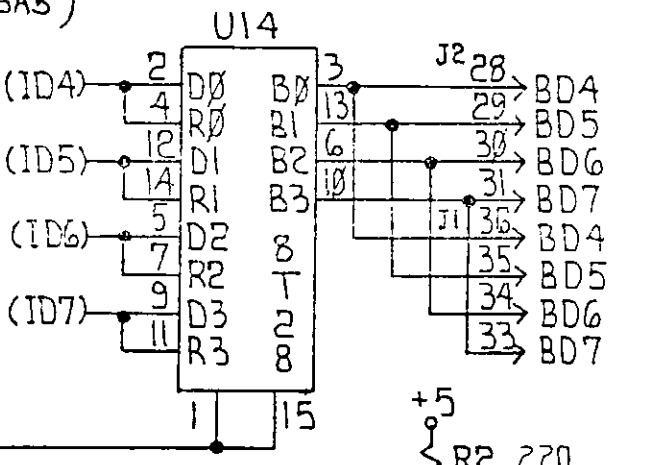
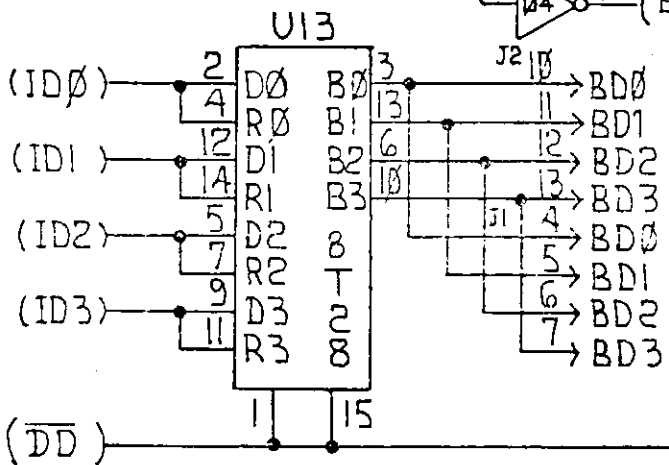
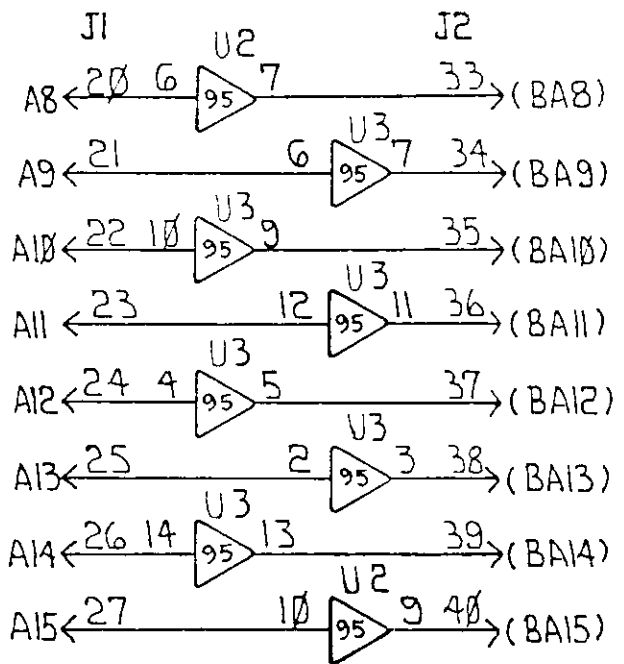
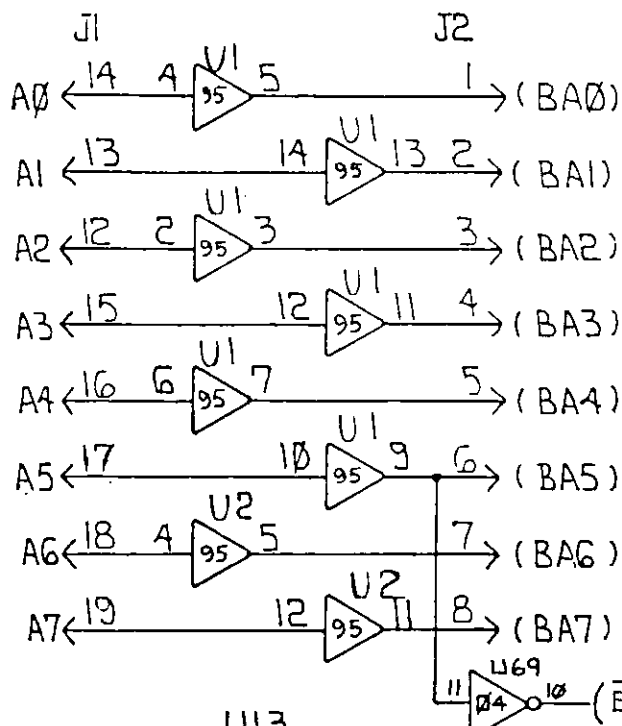


MODEL 610 SCHEMATIC

B	20 SEP 78
REV	DATE



OHIO SCIENTIFIC

product name/number

610

date

20 SEP 1978

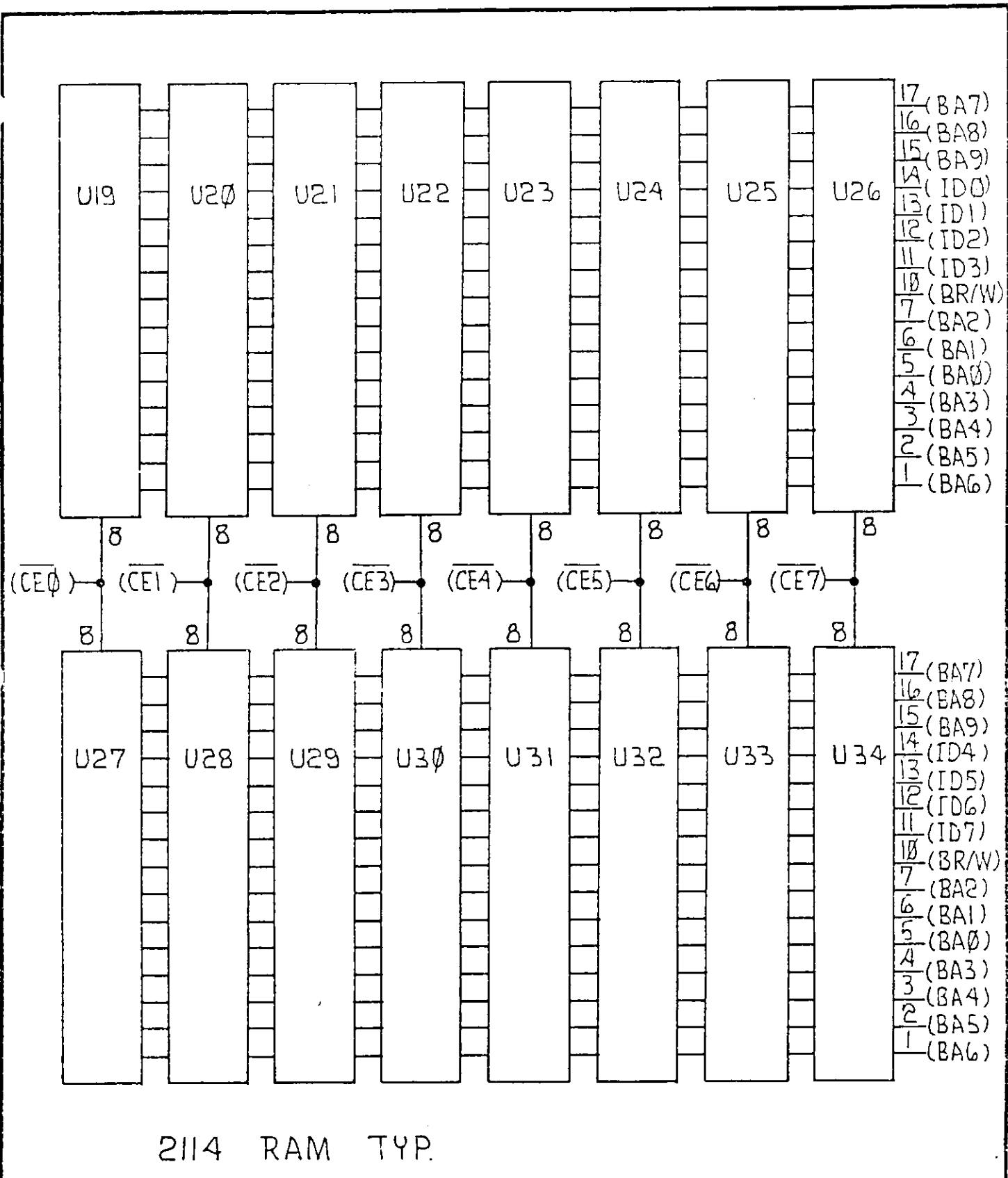
revision

B

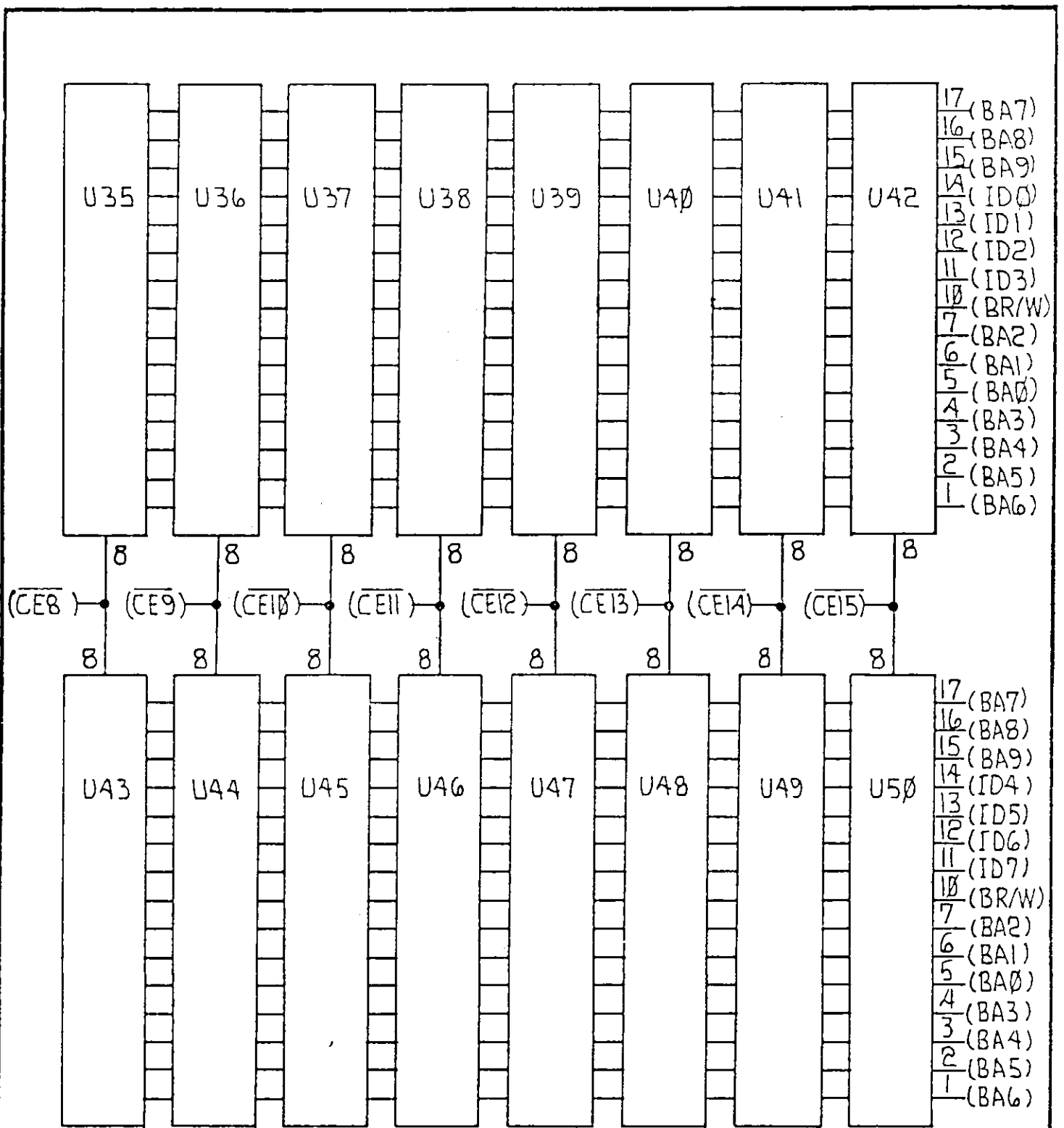
page

status

sheet 1 of 9

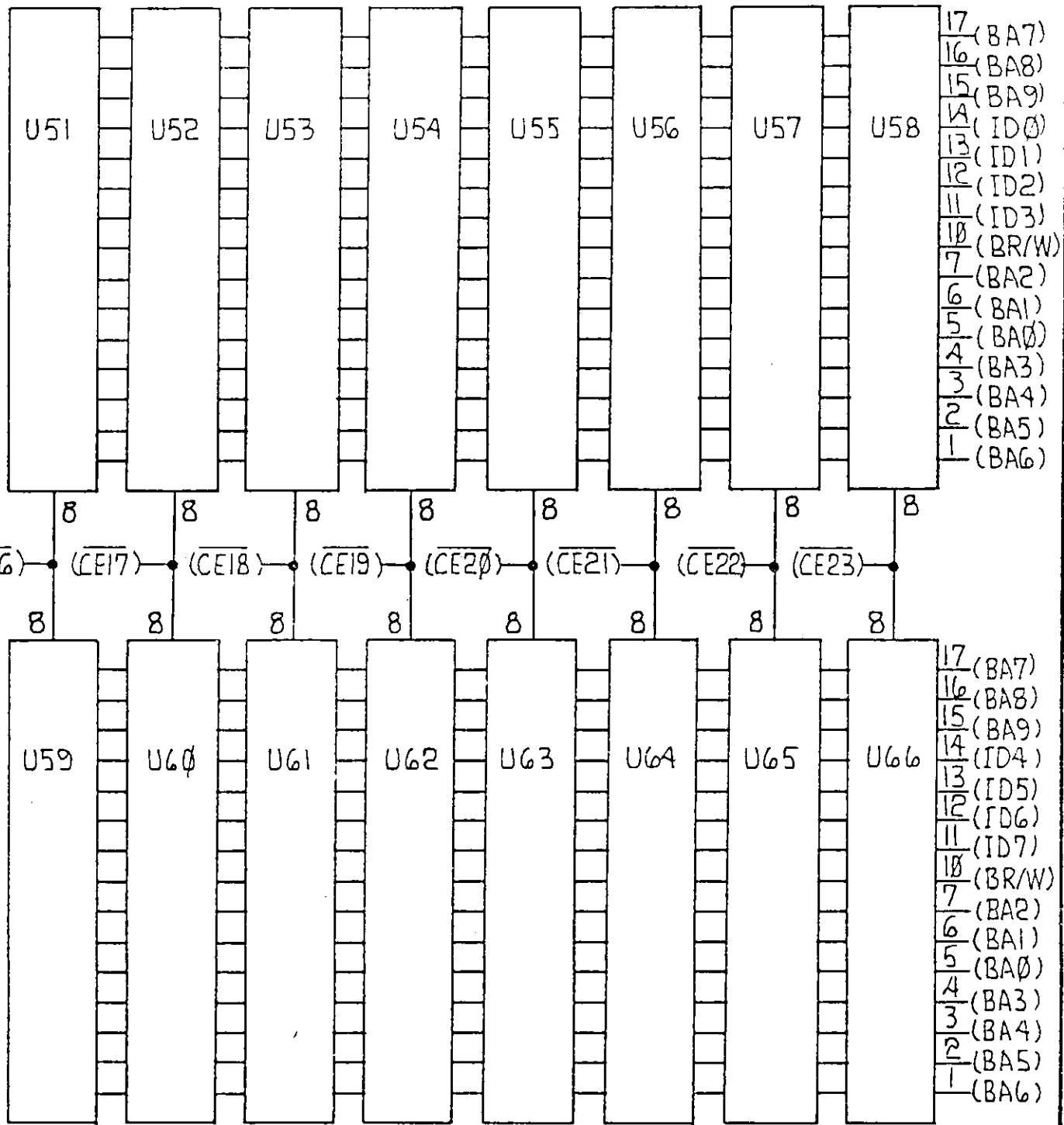


OHIO SCIENTIFIC			product name/number	
date 20 SEP 1978	revision B	page	status	sheet 2 of



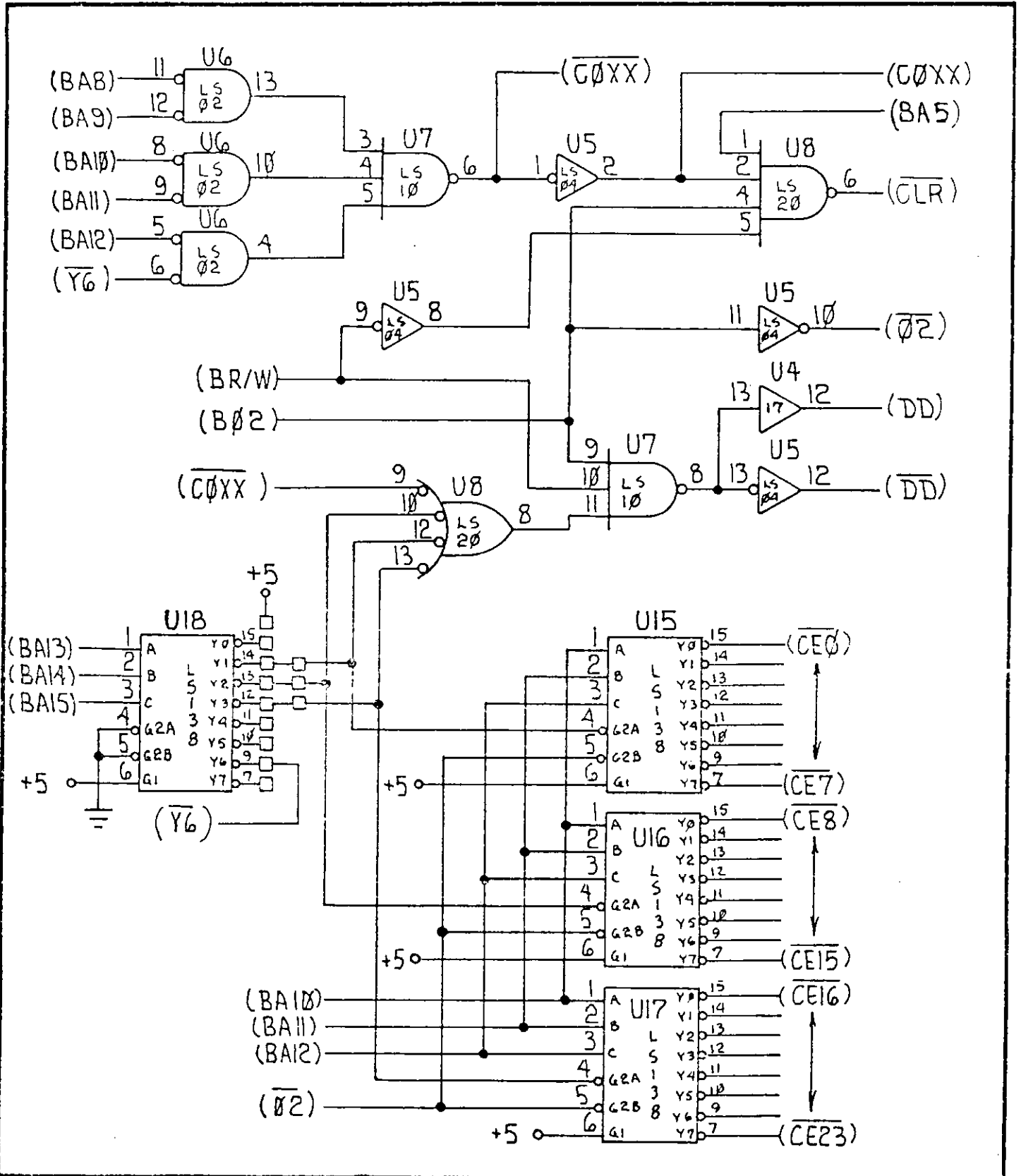
2114 RAM TYP.

OHIO SCIENTIFIC		product name/number	
date 20 SEP 1978	revision B	page	status sheet 3 of



2114 RAM TYP.

OHIO SCIENTIFIC			product name/number	
date 20 SEP 1978	revision 8	page	status	sheet 4 of



OHIO SCIENTIFIC

product name/number

date

revision

page

status

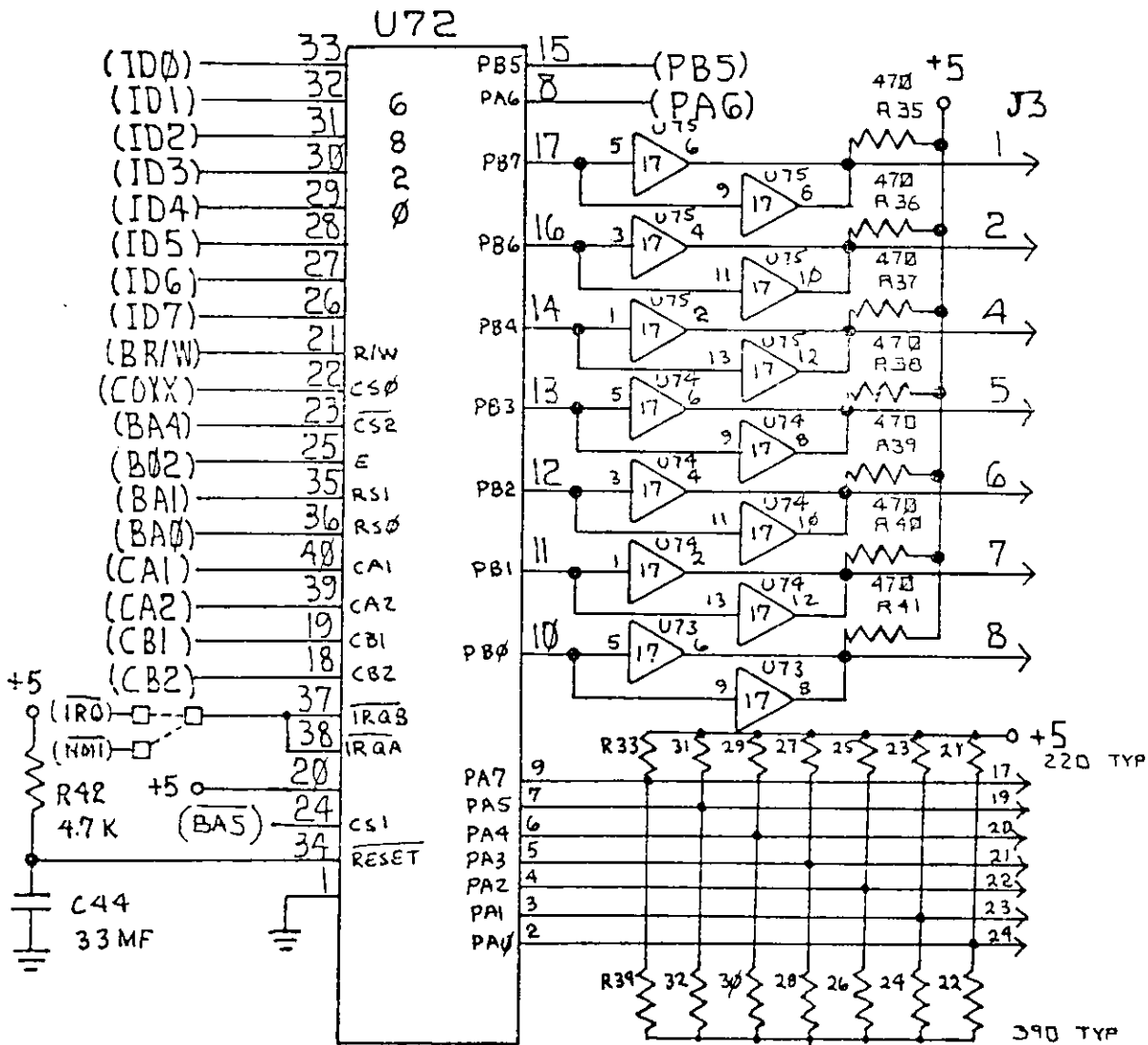
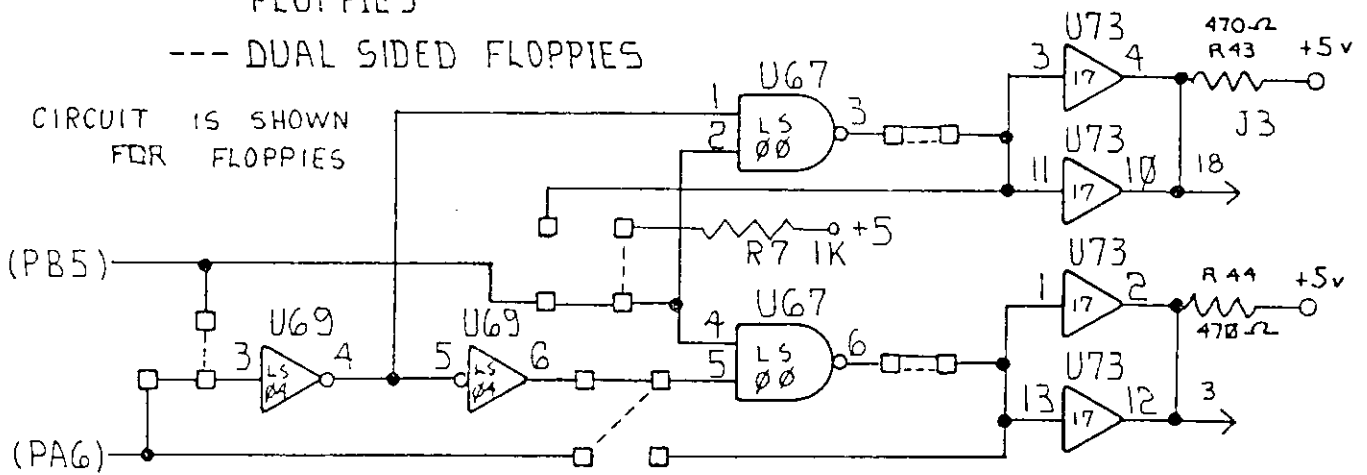
sheet 5 of

20 SEP 1978

5

— FLOPPIES
 --- DUAL SIDED FLOPPIES

CIRCUIT IS SHOWN FOR FLOPPIES



OHIO SCIENTIFIC

product name/number

date

revision

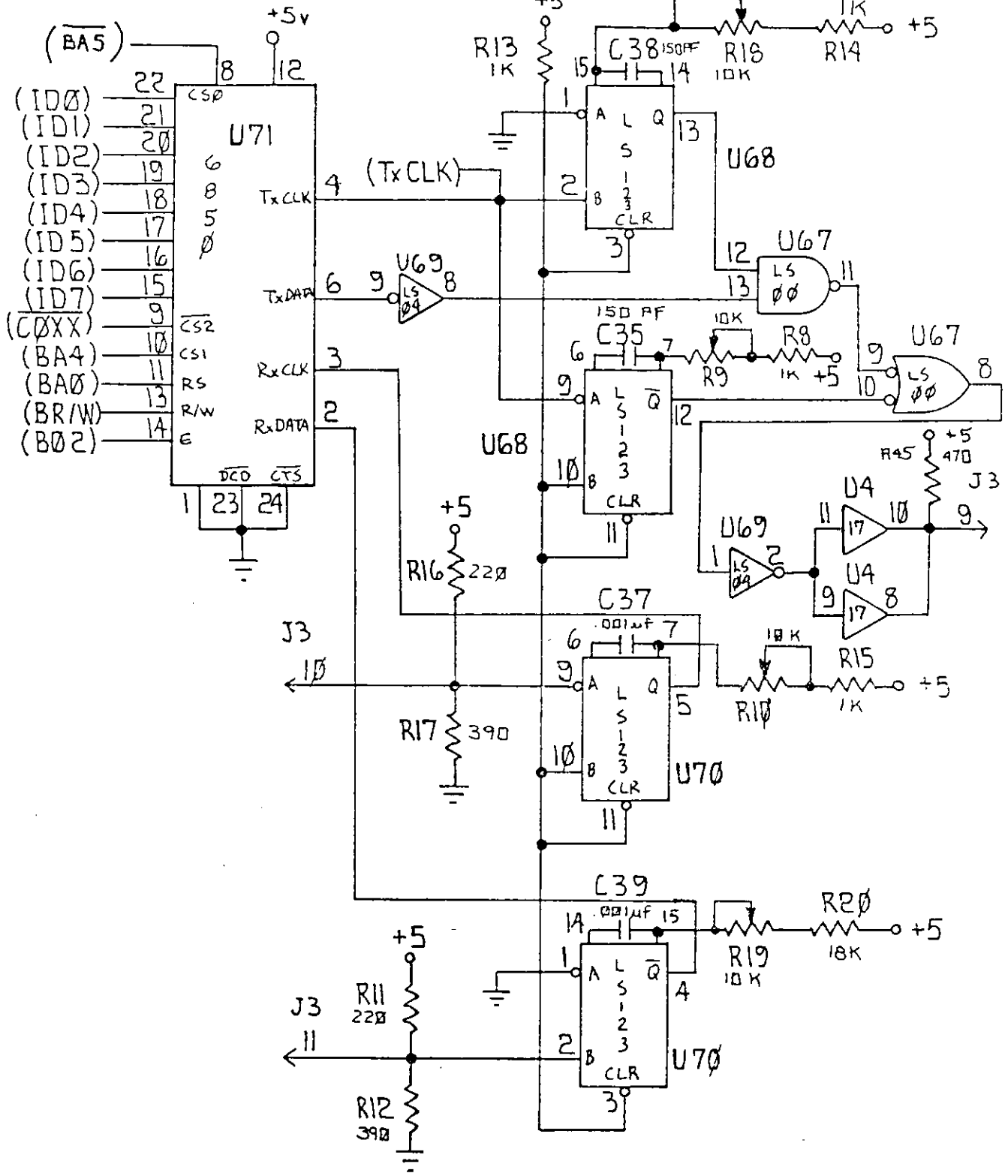
page

status

sheet 7 of

20 SEP 1978

B



OHIO SCIENTIFIC

product name/number

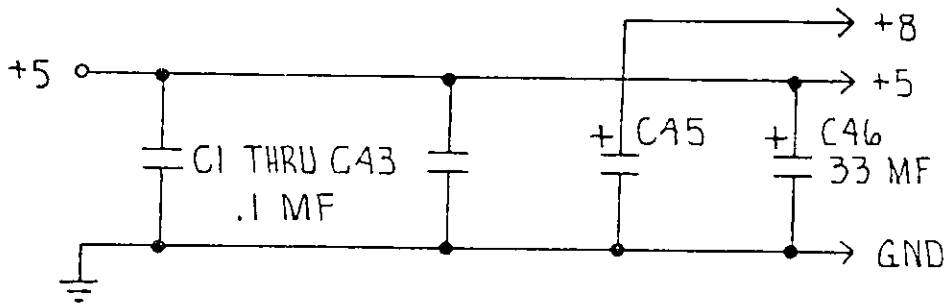
date
20 SEP 1978

revision
B

page

status

sheet 8 of



UNUSED GATES	
U6 LS02	
U5 LS04 U69	
U7 LS10	

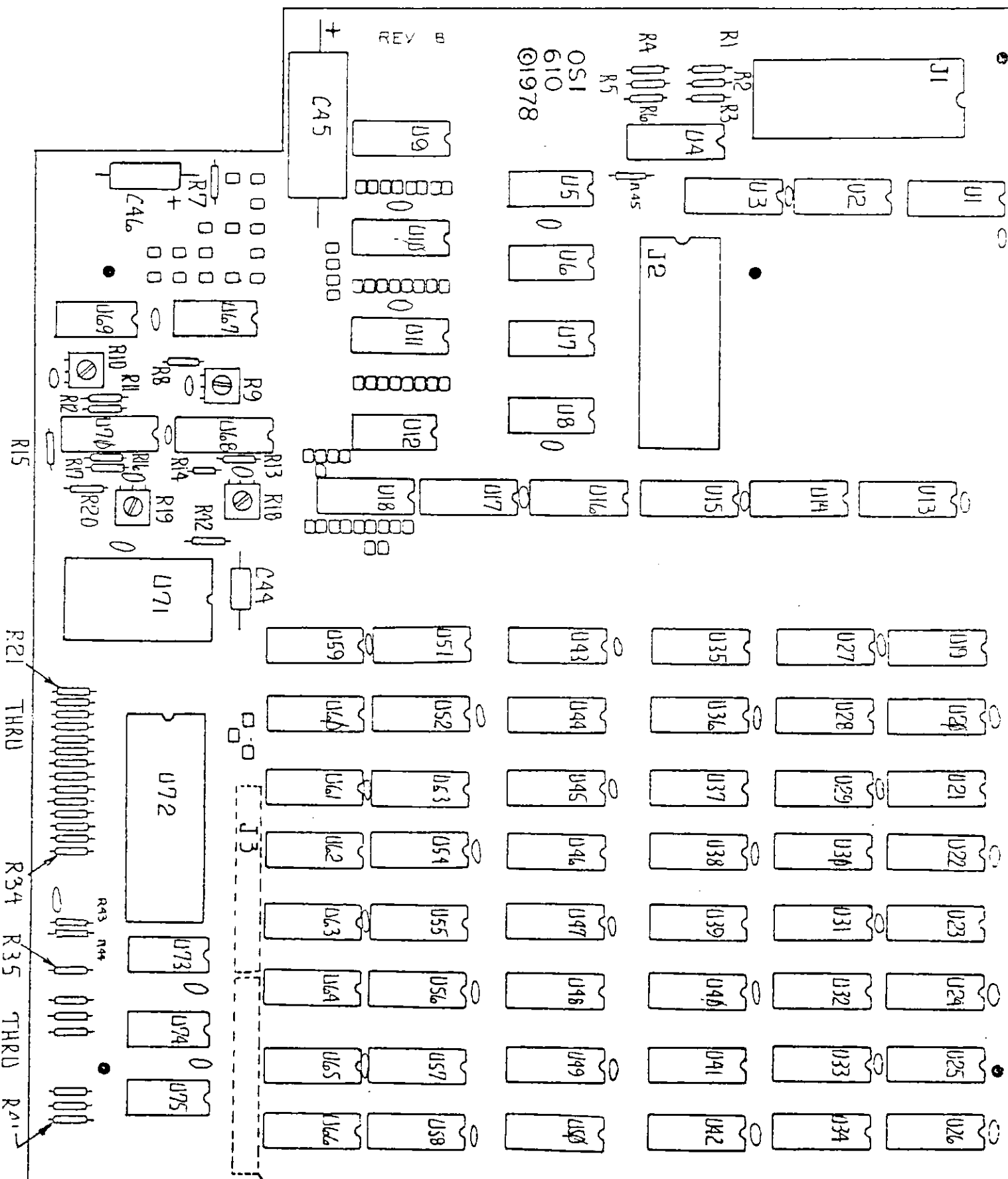
OHIO SCIENTIFIC

product name/number

date 20 SEP 1978	revision B	page	status	sheet 9 of
---------------------	---------------	------	--------	------------

REV B

OSI
610
©1978



MOUNTED
ON REAR
SIDE