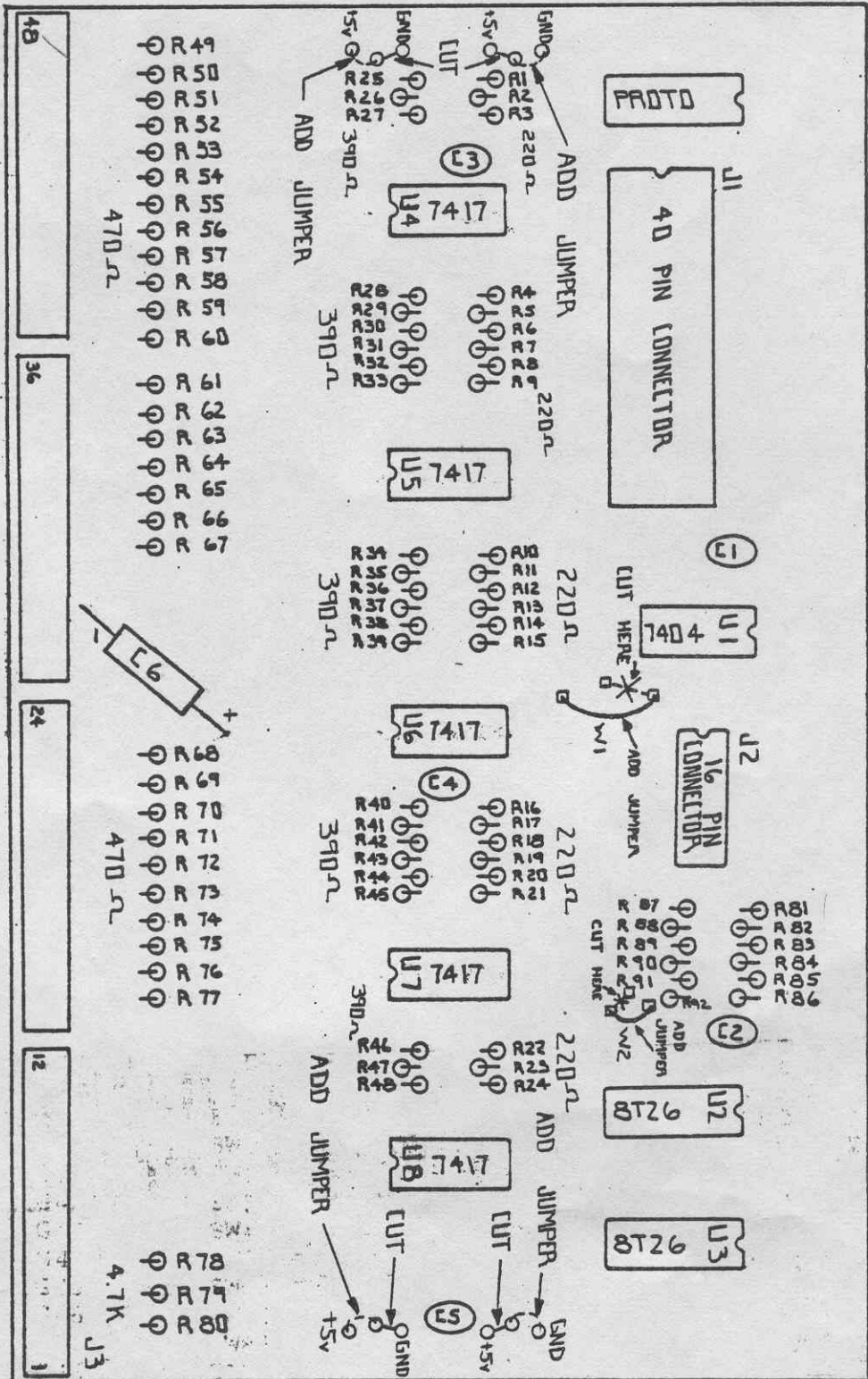
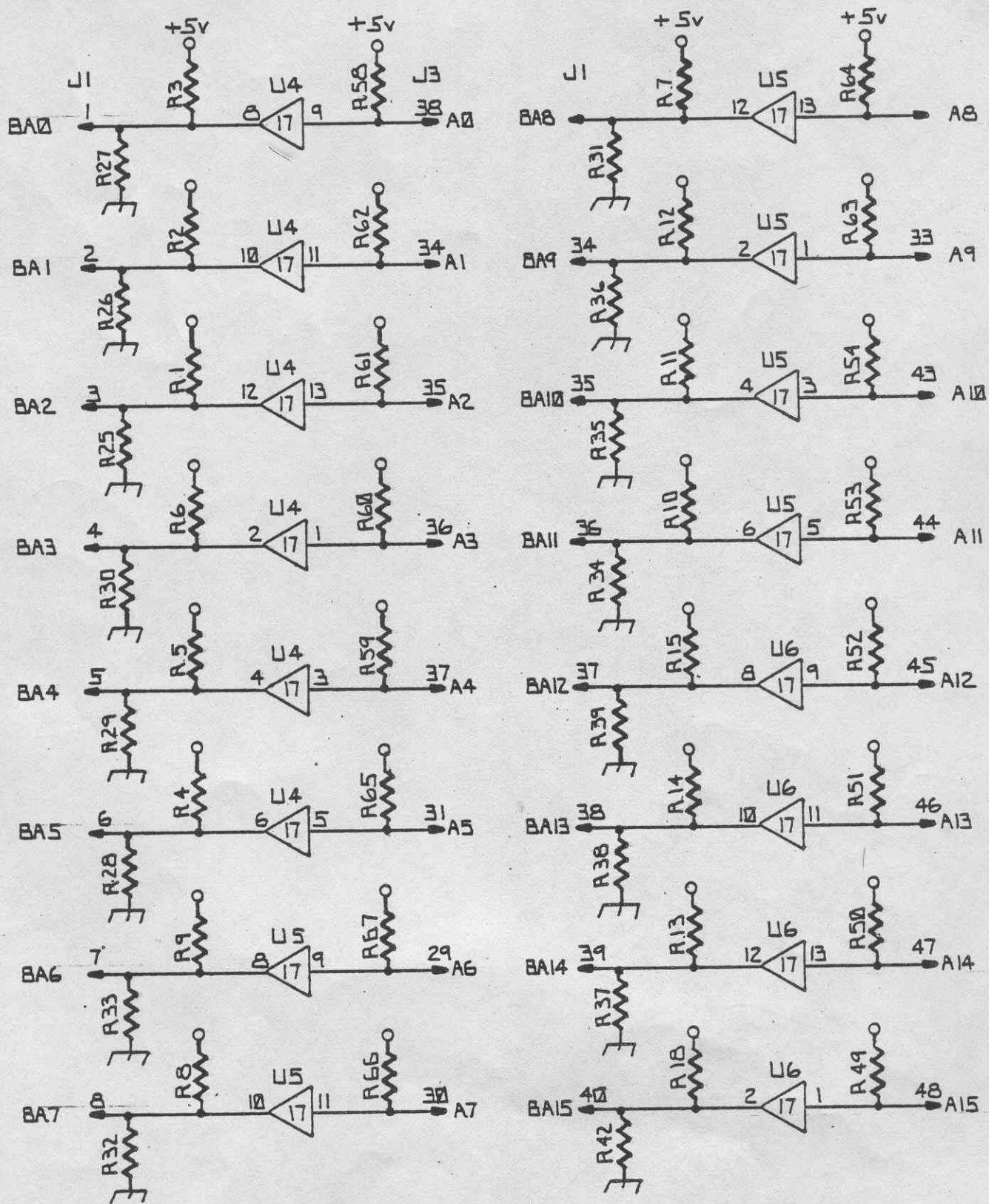


NOTE: TAPE CUT SHOWN FOR JUMPER W1 MUST BE MADE ON REAR OF BOARD



TRANSMIT PARTS LAYOUT



OHIO SCIENTIFIC

product name/number
 TRANSMIT
 MODEL ~620 BUS EXPANDER

date 31 OCT 1978

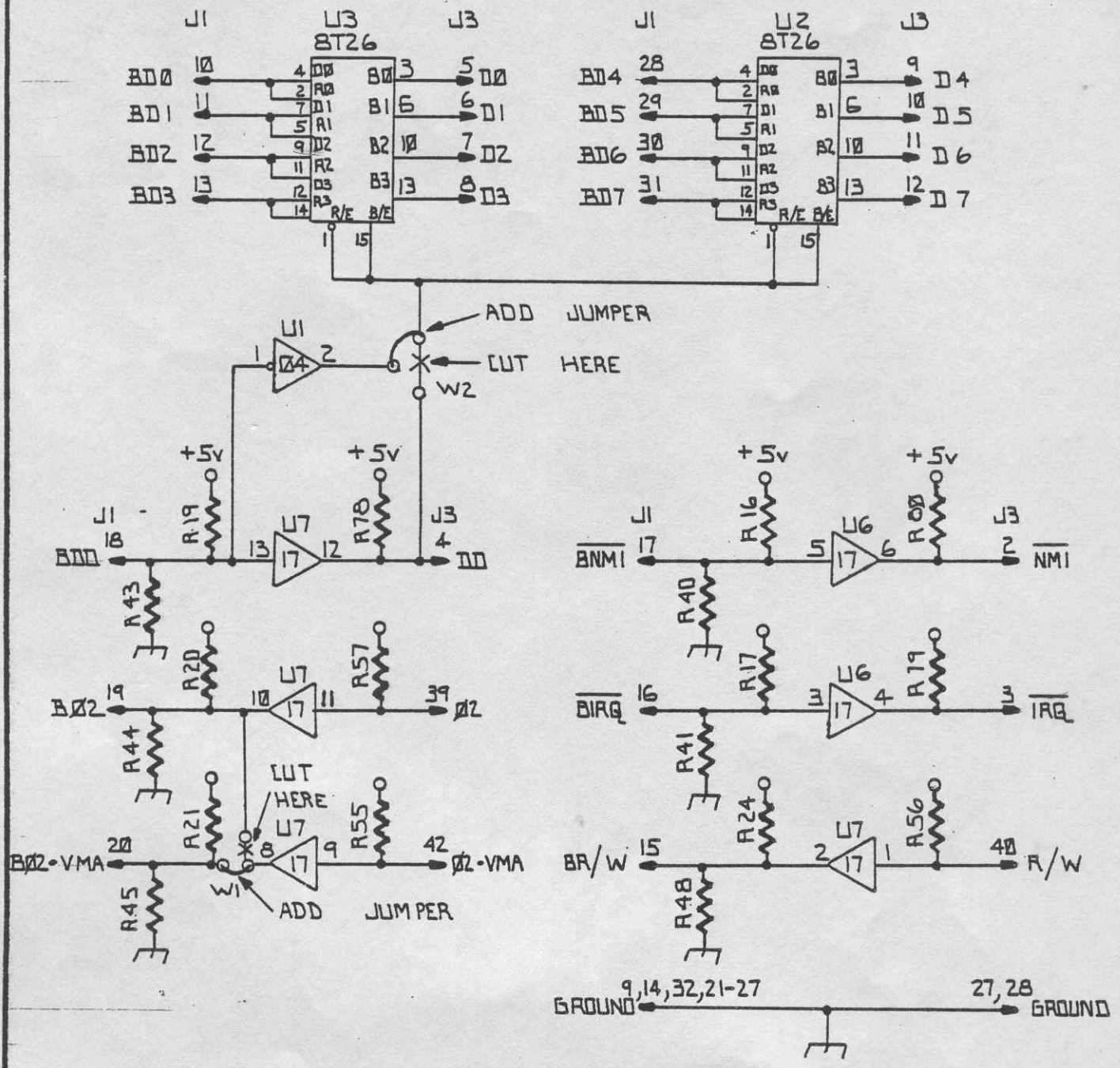
revision

page

status

sheet 1 of 3

DRAWN ~ J.L.K.



OHIO SCIENTIFIC

product name/number
 TRANSMIT
 MODEL ~ 620 BUS EXPANDER

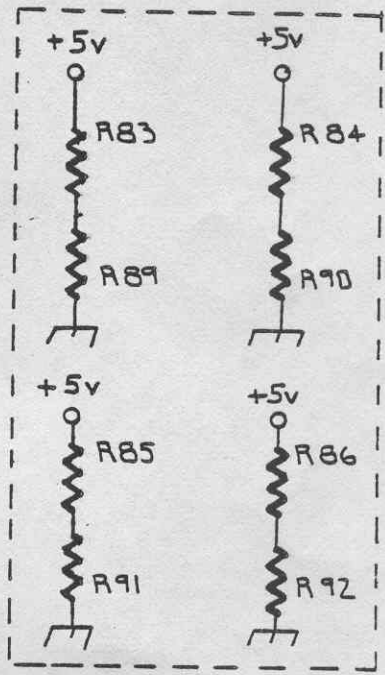
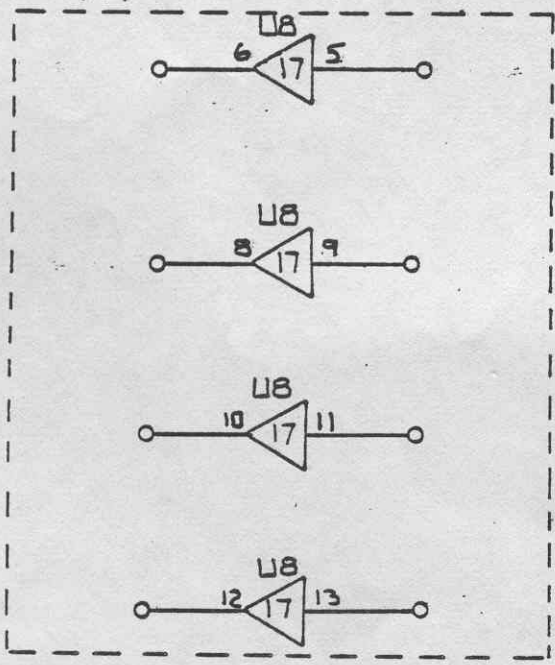
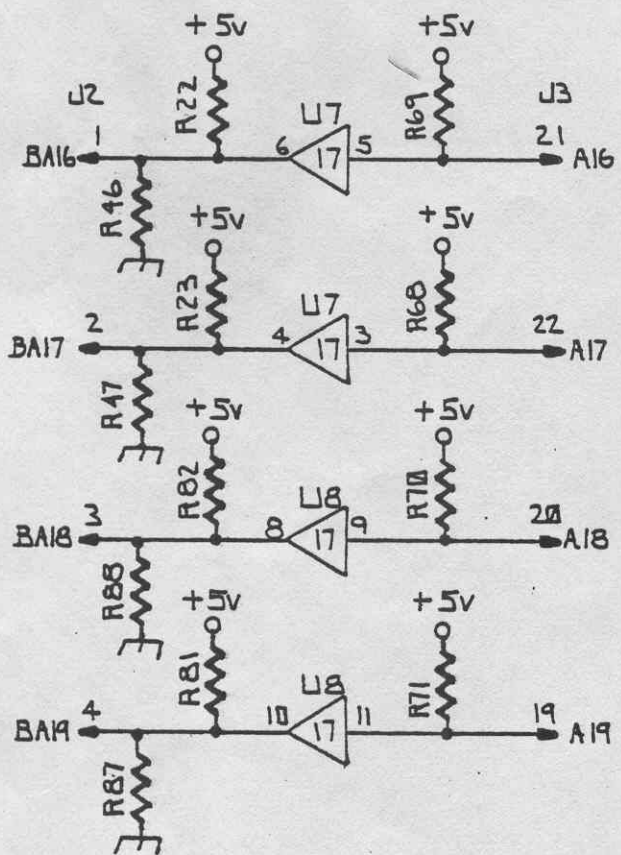
date 31 OCT 1978
 DRAWN ~ J.L.K.

revision

page

status

sheet 2 of 3



ALL PARTS SHOWN INSIDE OF DASHED LINES ARE SPARES

OHIO SCIENTIFIC

product name/number
TRANSMIT
MODEL ~ 620 BUS EXPANDER

date 31 OCT 1978

revision

page

status

sheet 3 of 3

DRAWN ~ J.L.K.