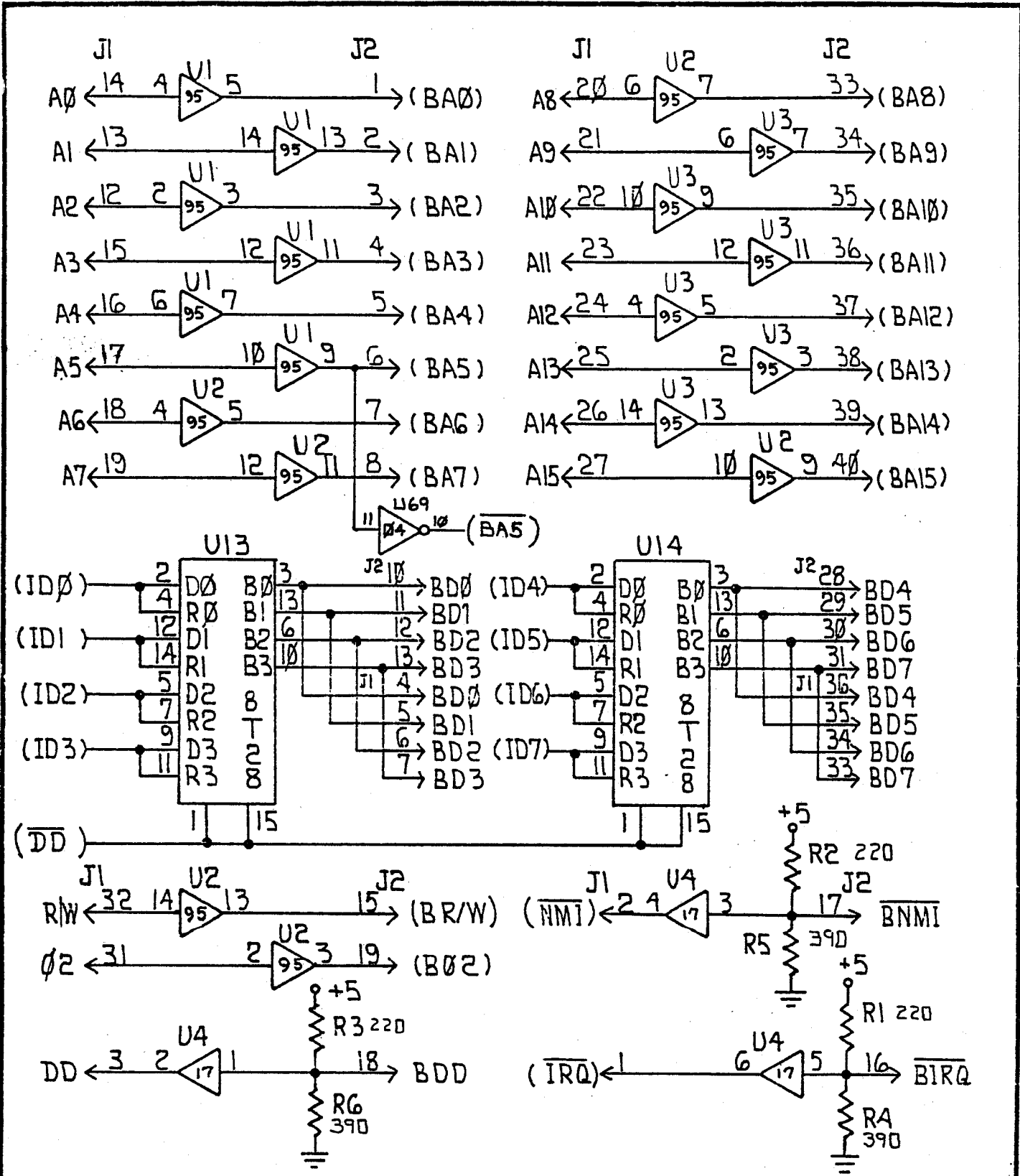
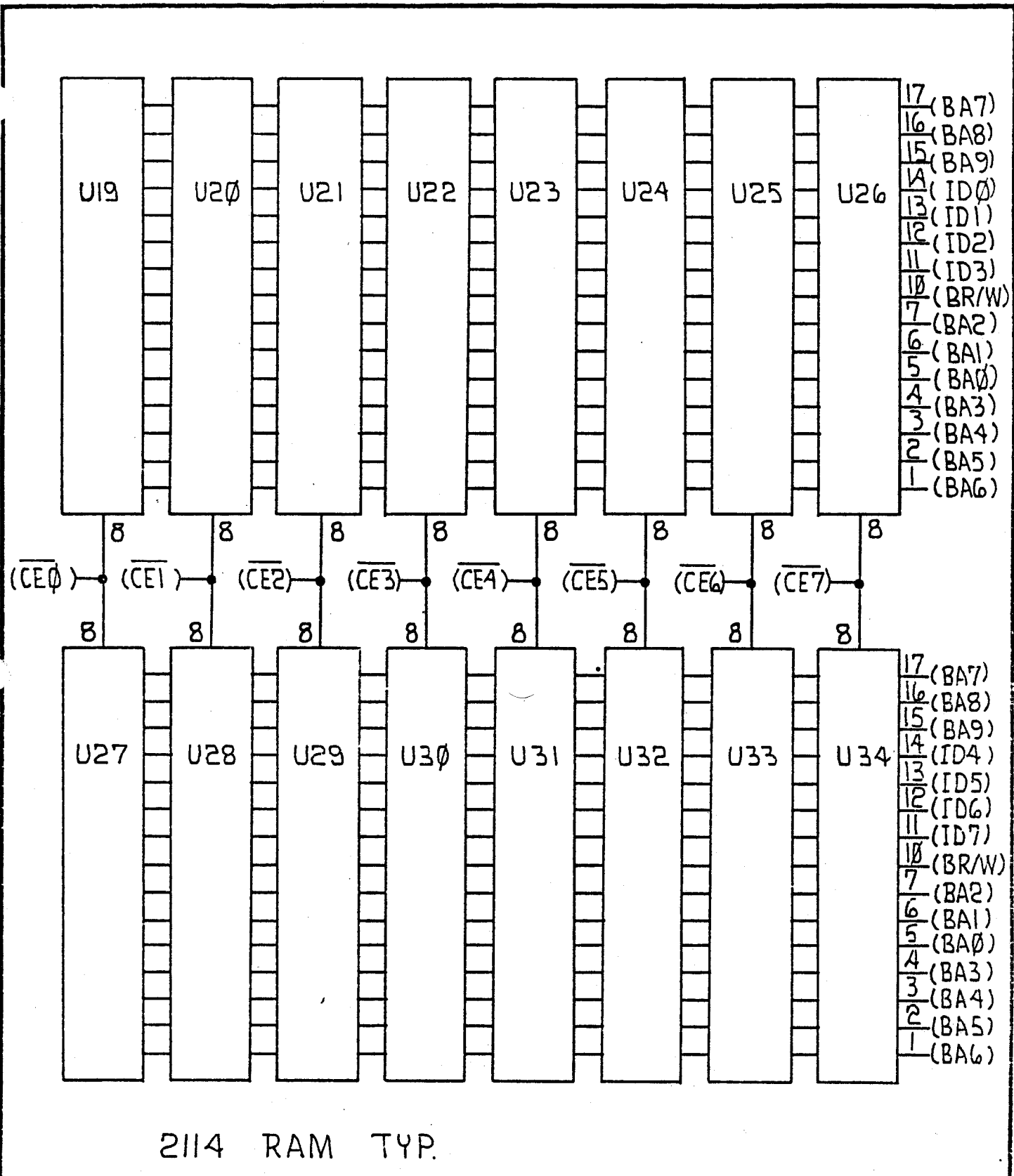


MODEL 610 SCHEMATIC

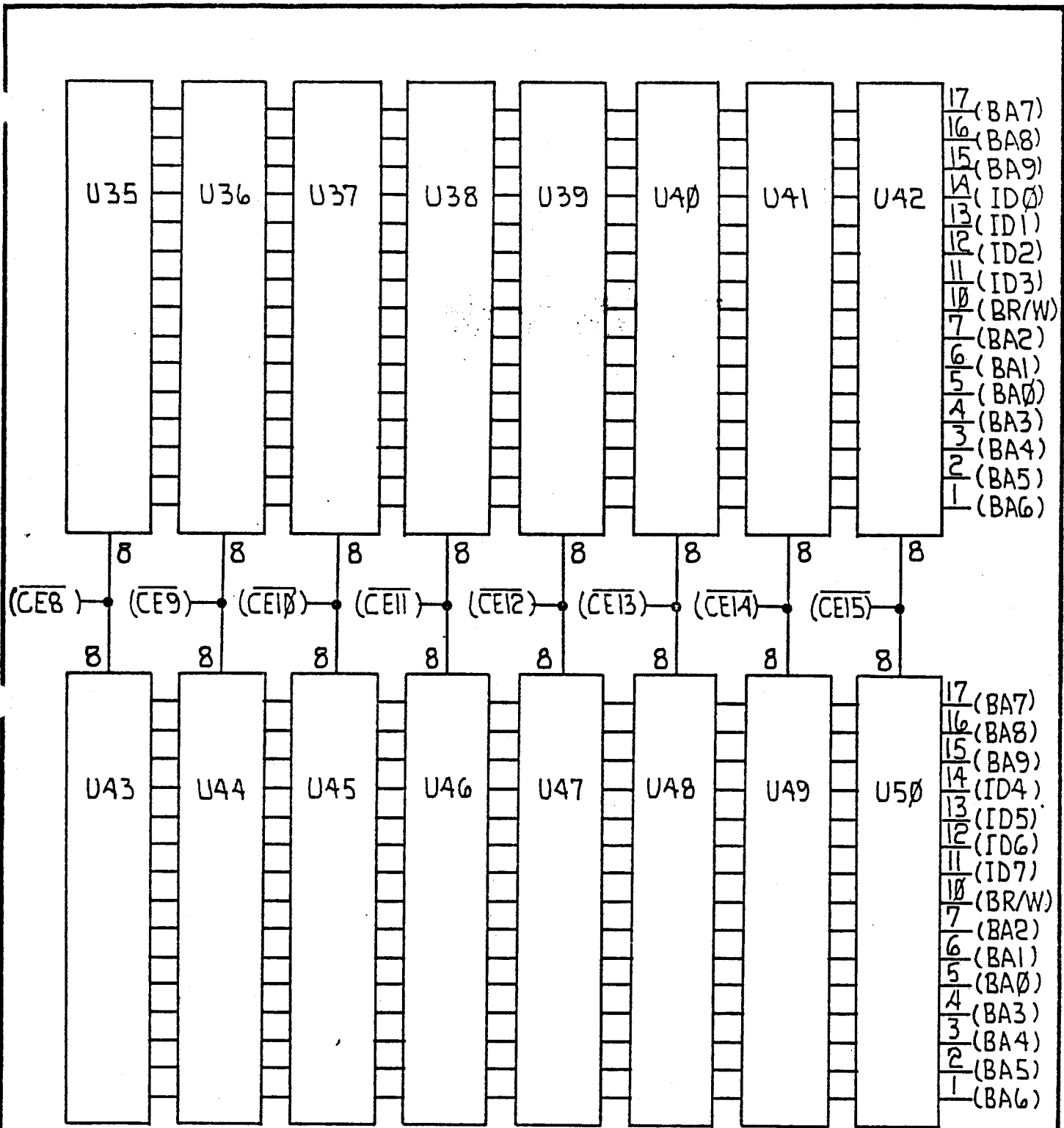
B	20 SEP 78
REV	DATE



OHIO SCIENTIFIC			product name/number 610	
date 20 SEP 1978	revision B	page	status	sheet 1 of 9

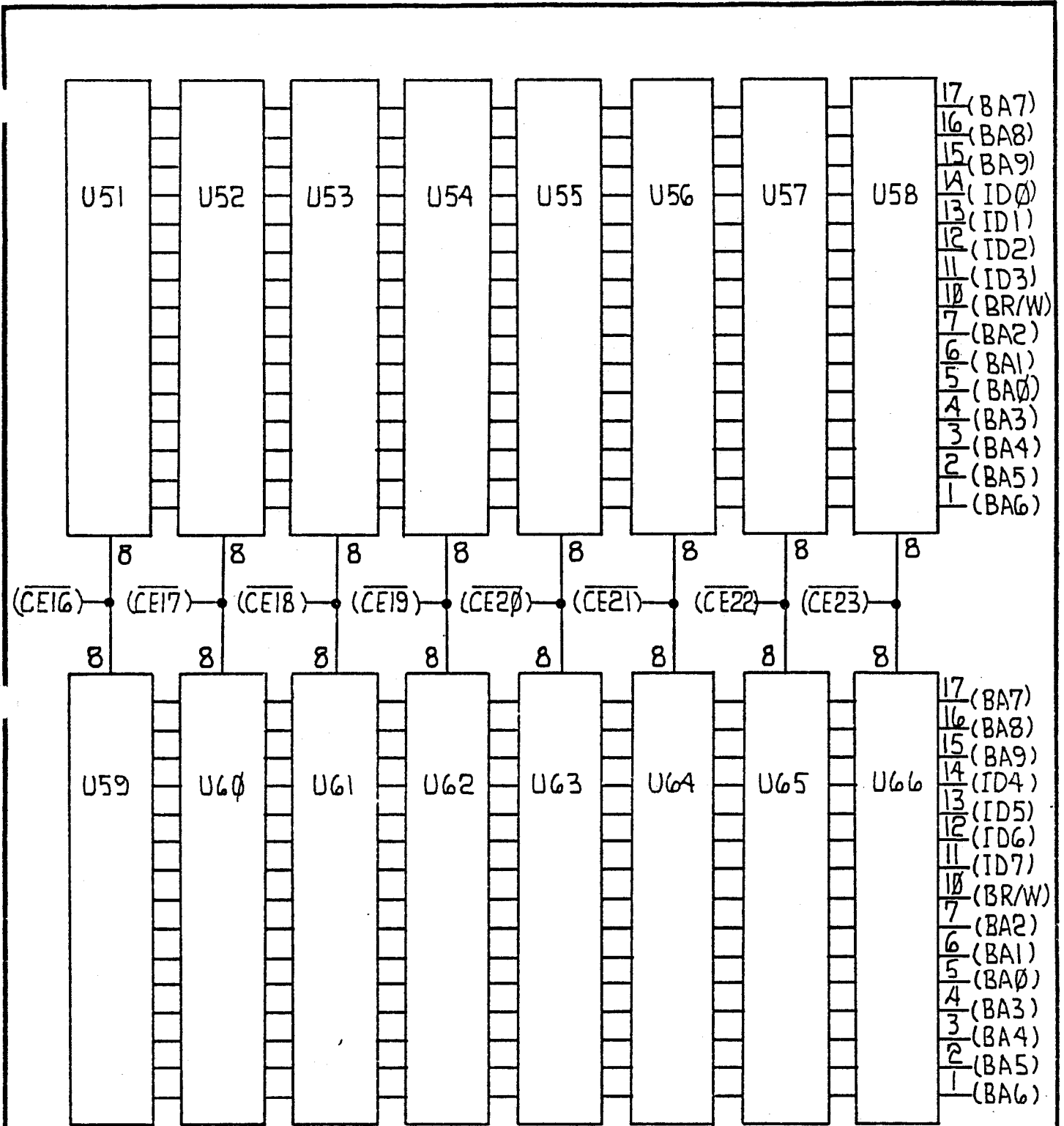


OHIO SCIENTIFIC			product name/number	
date 20 SEP 1978	revision B	page	status	sheet 2 of



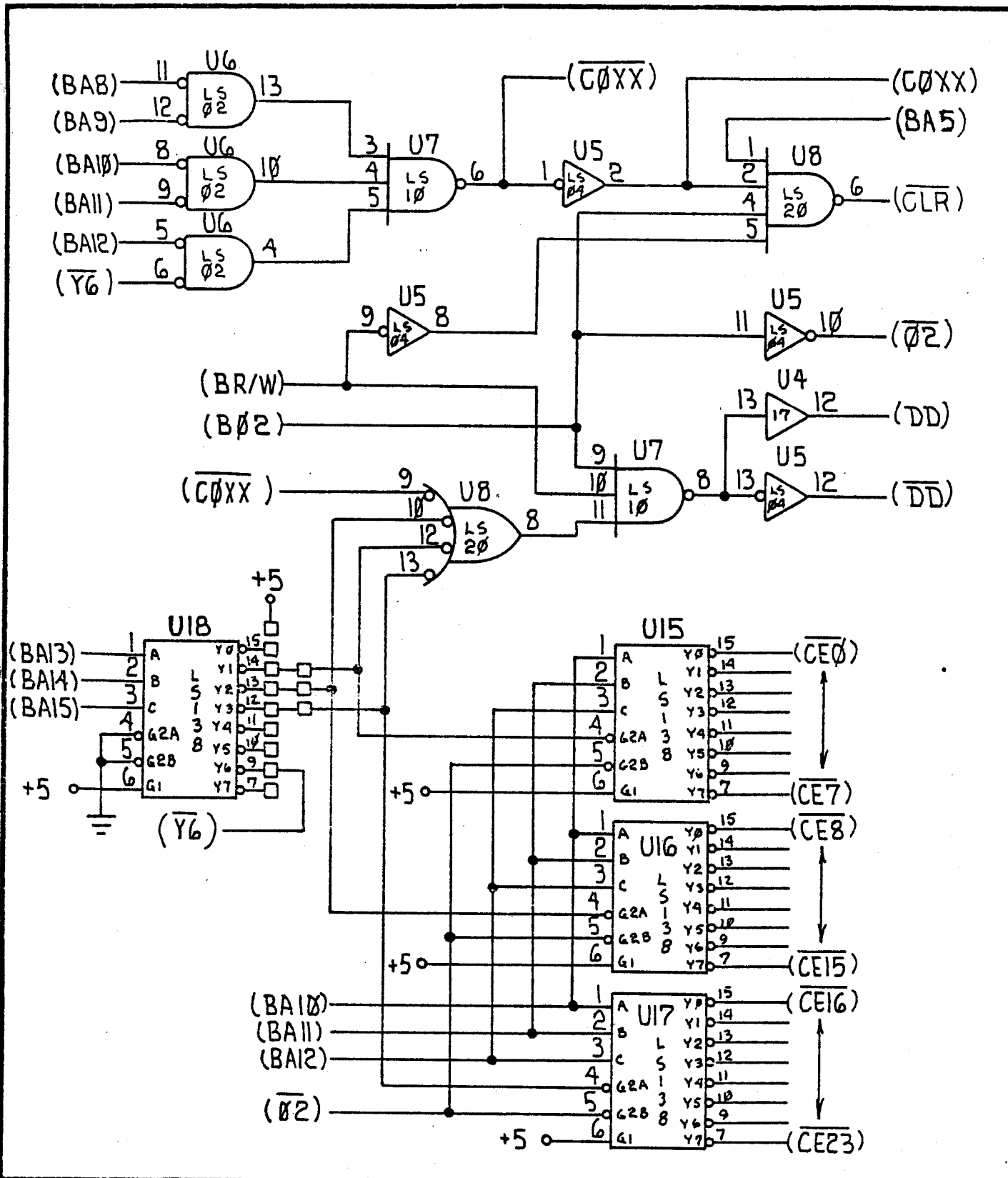
2114 RAM TYP.

OHIO SCIENTIFIC			product name/number	
date 20 SEP 1978	revision B	page	status	sheet 3 of



2114 RAM TYP.

OHIO SCIENTIFIC			product name/number	
date 20 SEP 1978	revision B	page	status	sheet 4 of



OHIO SCIENTIFIC

product name/number

date

20 SEP 1978

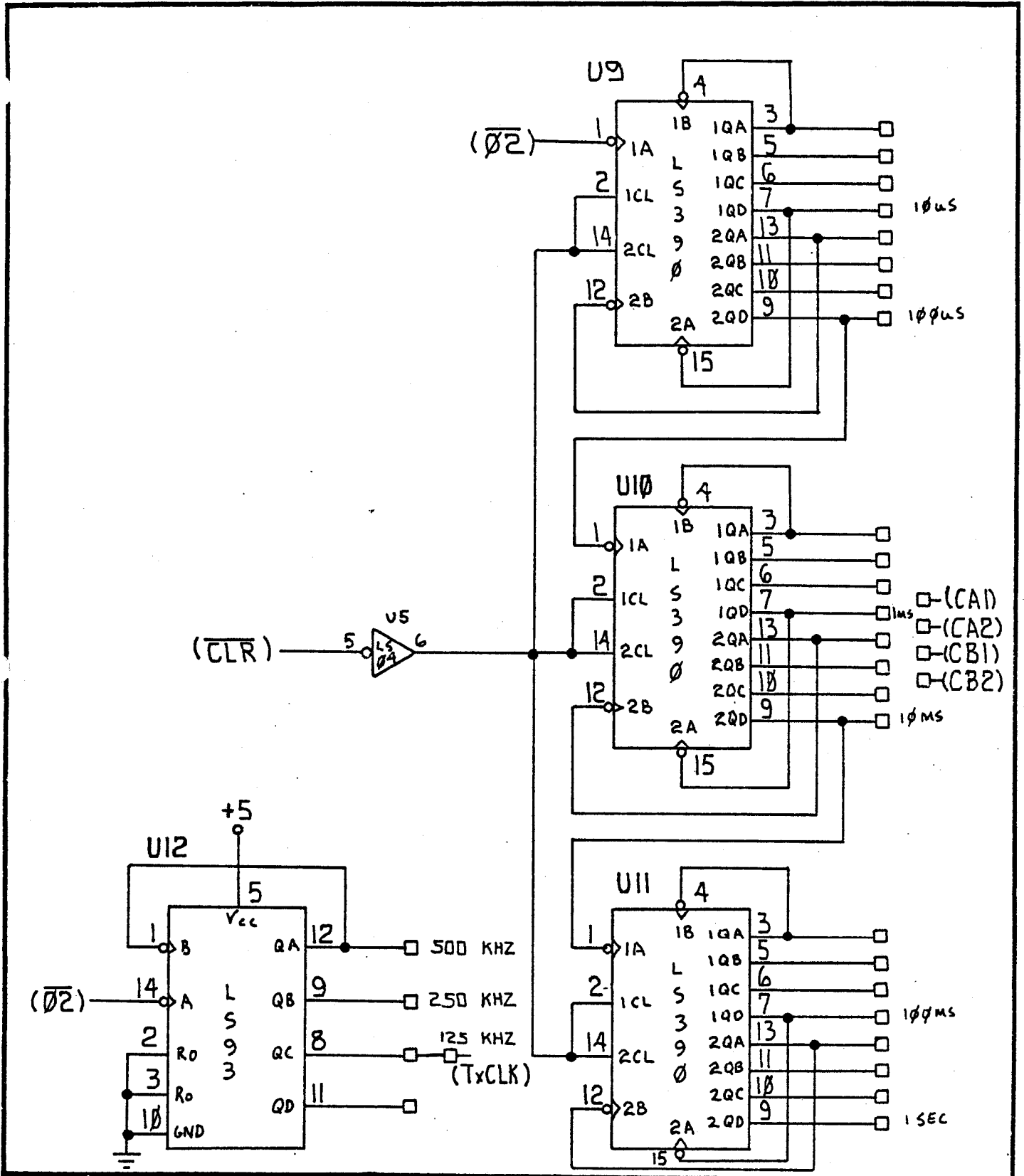
revision

B

page

status

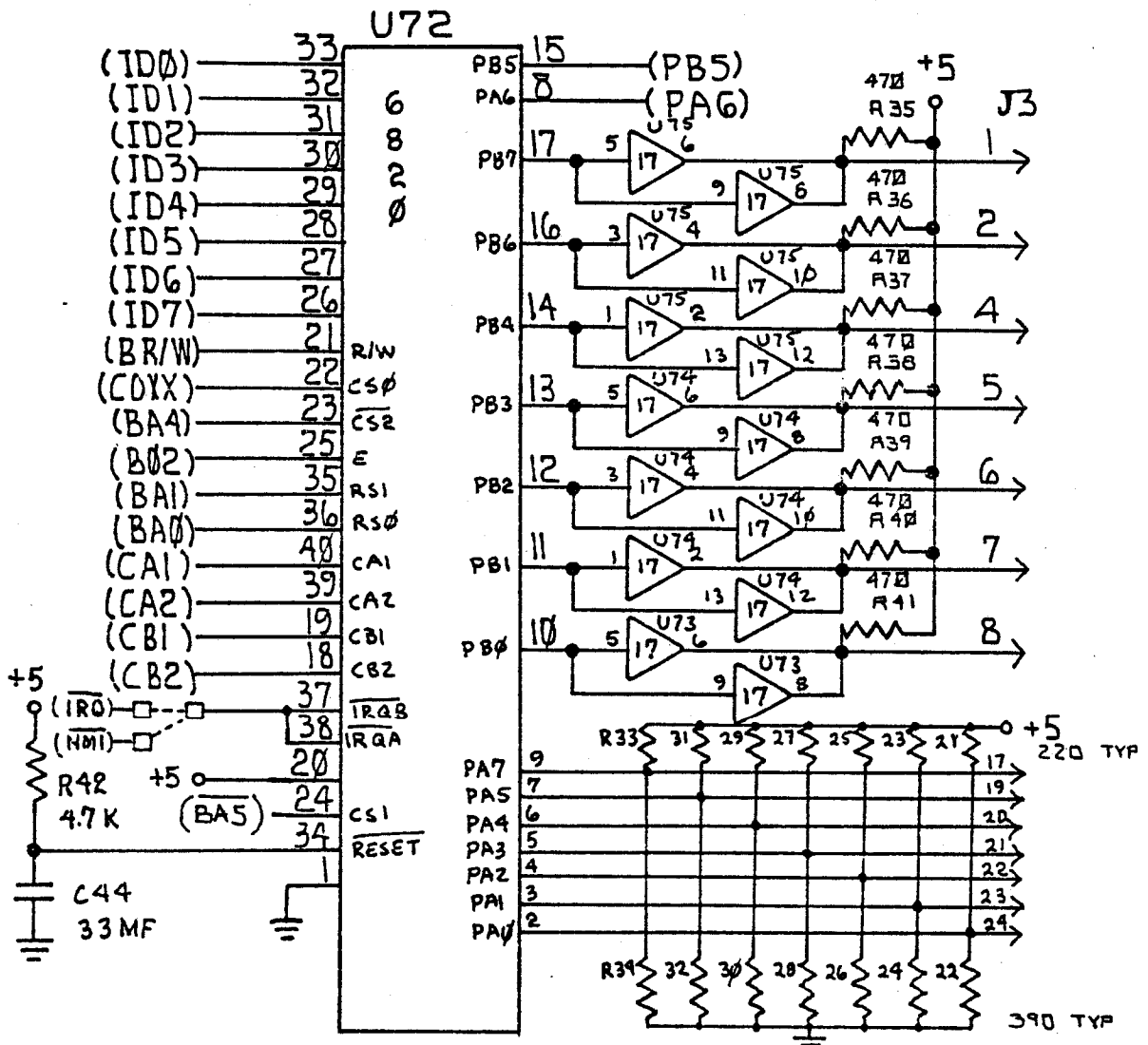
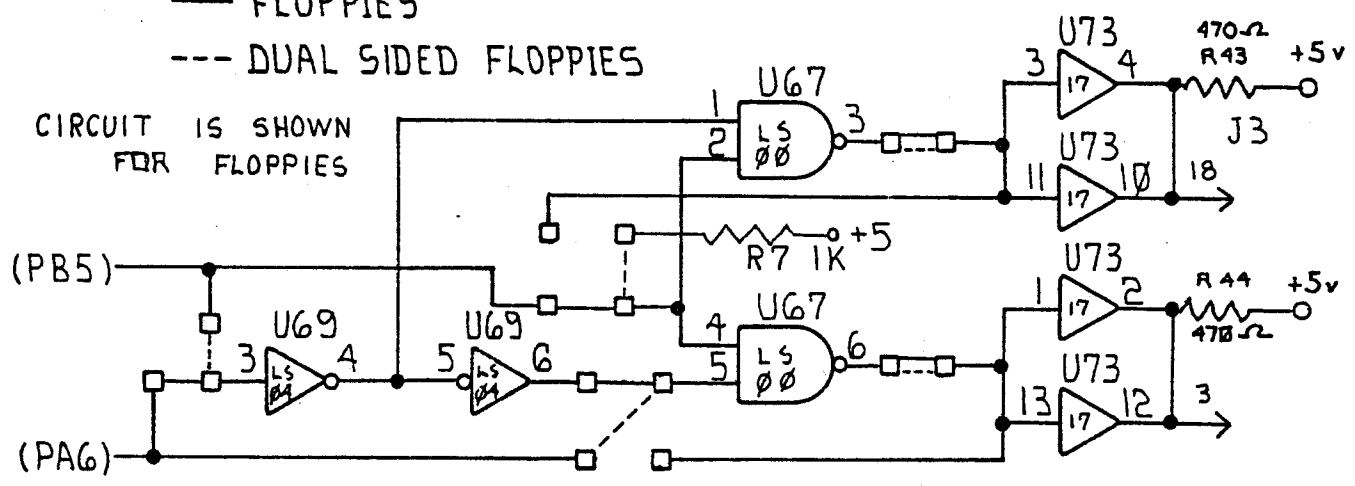
sheet 5 of



OHIO SCIENTIFIC			product name/number	
date 20 SEP 1978	revision B	page	status	sheet 6 of

— FLOPPIES
 --- DUAL SIDED FLOPPIES

CIRCUIT IS SHOWN FOR FLOPPIES



OHIO SCIENTIFIC

product name/number

date

revision

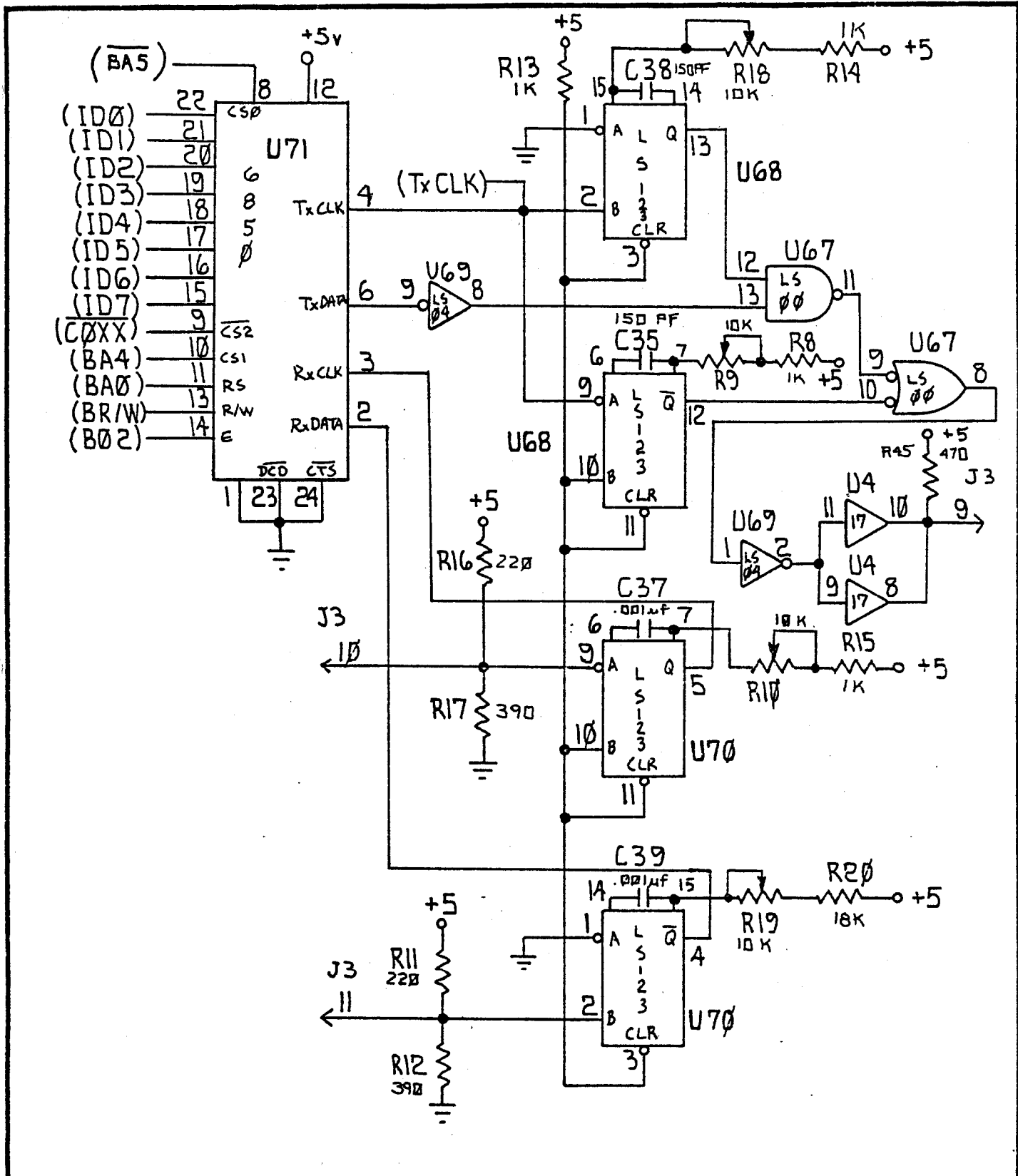
page

status

sheet 7 of

20 SEP 1978

B



OHIO SCIENTIFIC

product name/number

date

revision

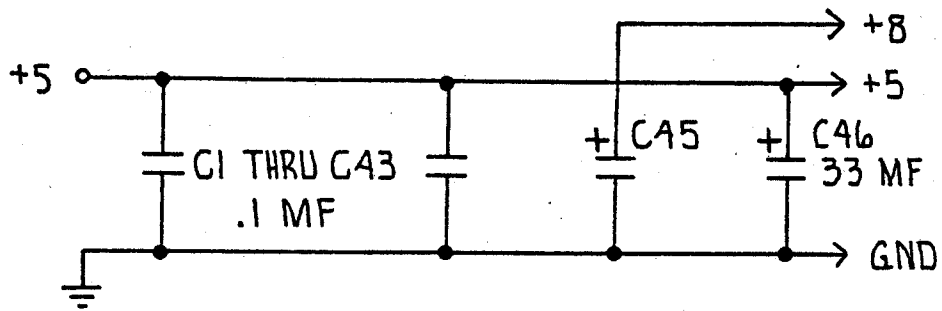
page

status

sheet 8 of

20 SEP 1978

B



UNUSED GATES	
U6 LS02	
U5 LS04 U69	
U7 LS10	

OHIO SCIENTIFIC

product name/number

date

20 SEP 1978

revision

B

page

status

sheet 9 of

