

1

2

3

4

ISSUE	DESCRIPTION	DATE APPROVED
B	ECO 2558	1/8/66 Jc

A

A

B

B

C

C

D

D

-03 -02 -01			PART NUMBER	CODE IDENT	DESCRIPTION	ITEM NO.
TOLERANCE UNLESS OTHERWISE SPECIFIED			MATERIAL		DWN.	
.XX = ±			FINISH		CHK	
.XXX = ±			DRAWING TITLE		APPD.	
ANGULAR			SCHEMATIC , CPU BD			
SURFACE			SCALE			
DASH NO.			NEXT ASSY		USED ON	
01	I2026C-01	I280				
APPLICATION			ADVANCED ELECTRONICS DESIGN, INC.		DRAWING NUMBER	
			SUNNYVALE, CALIF. 94088		120261-01	
			C		REV B	

A

B

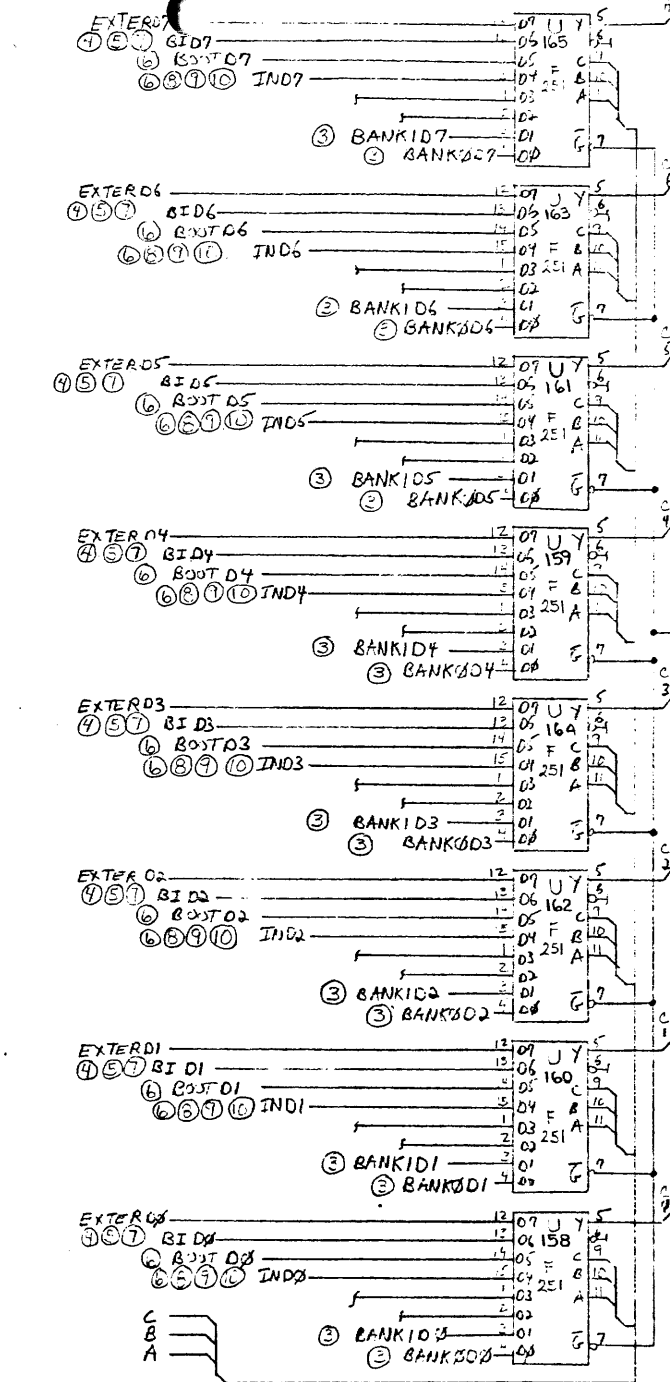
C

D

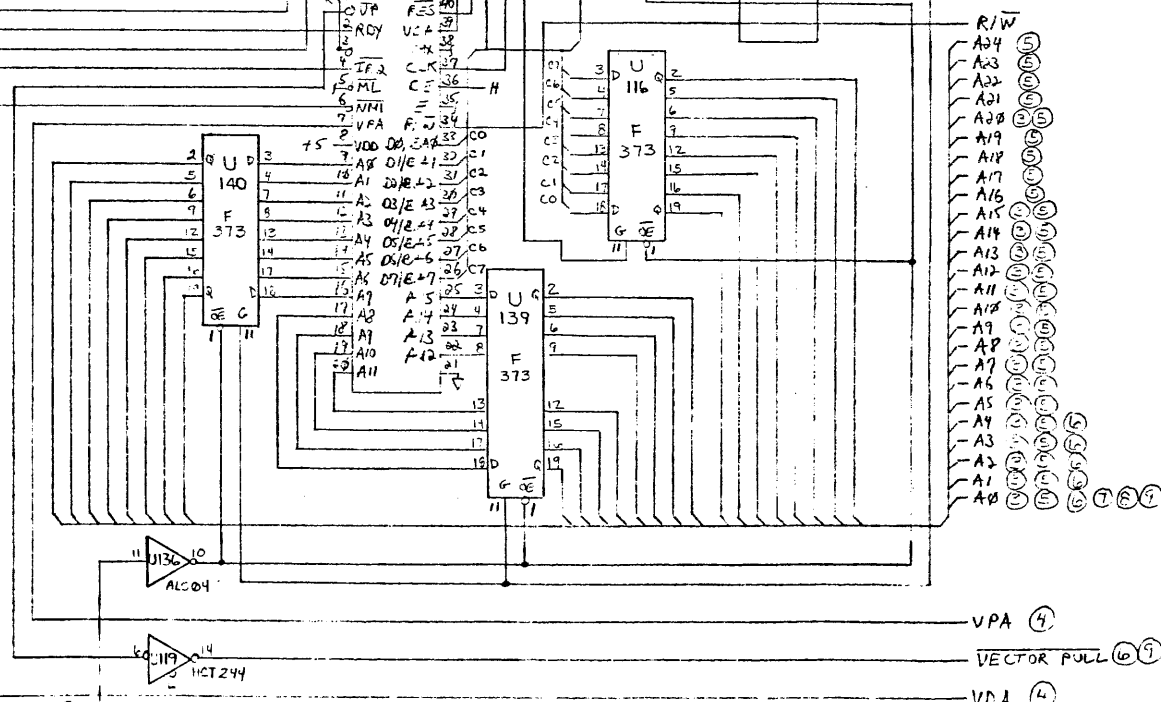
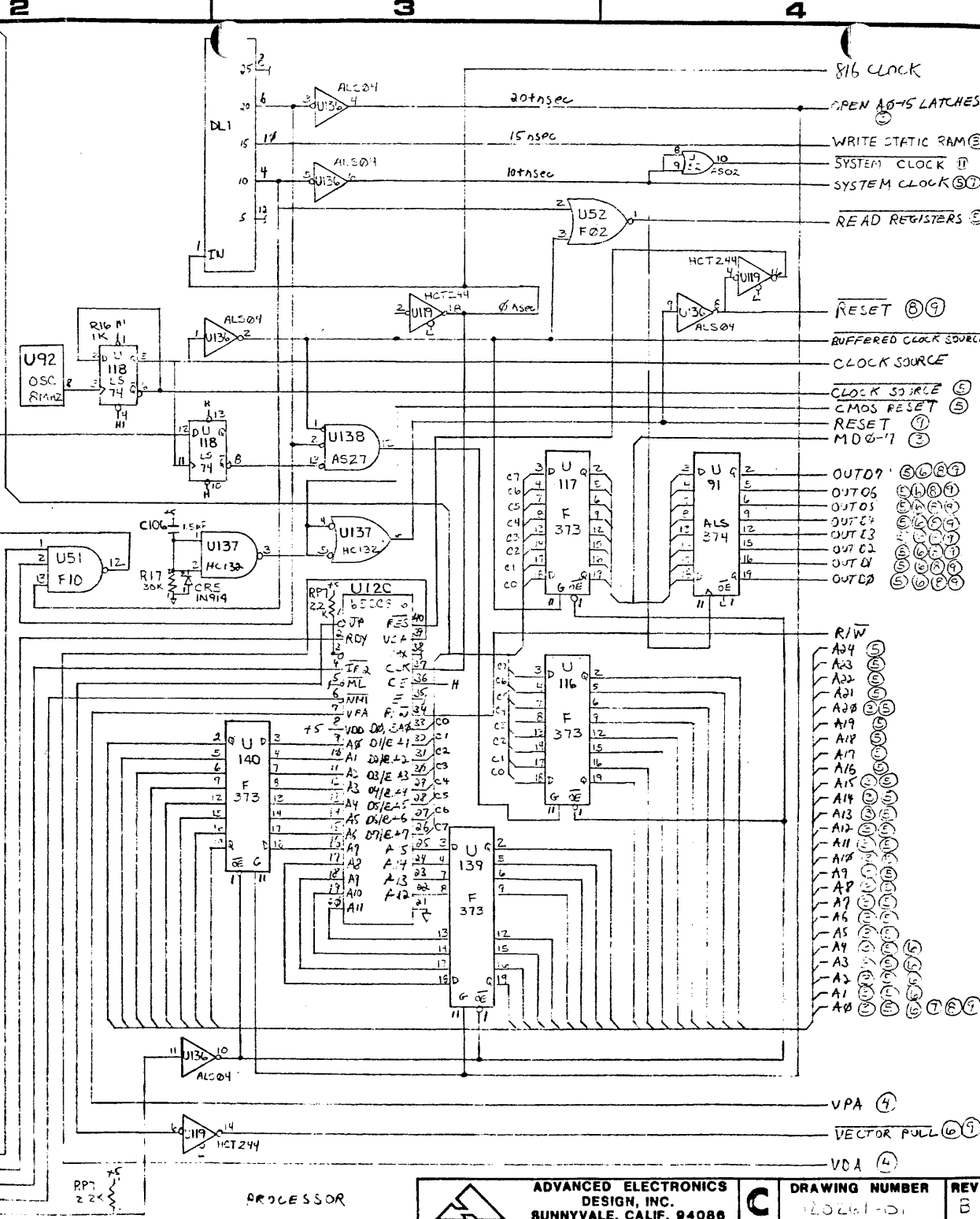
5

6

ADVANCED MICRO

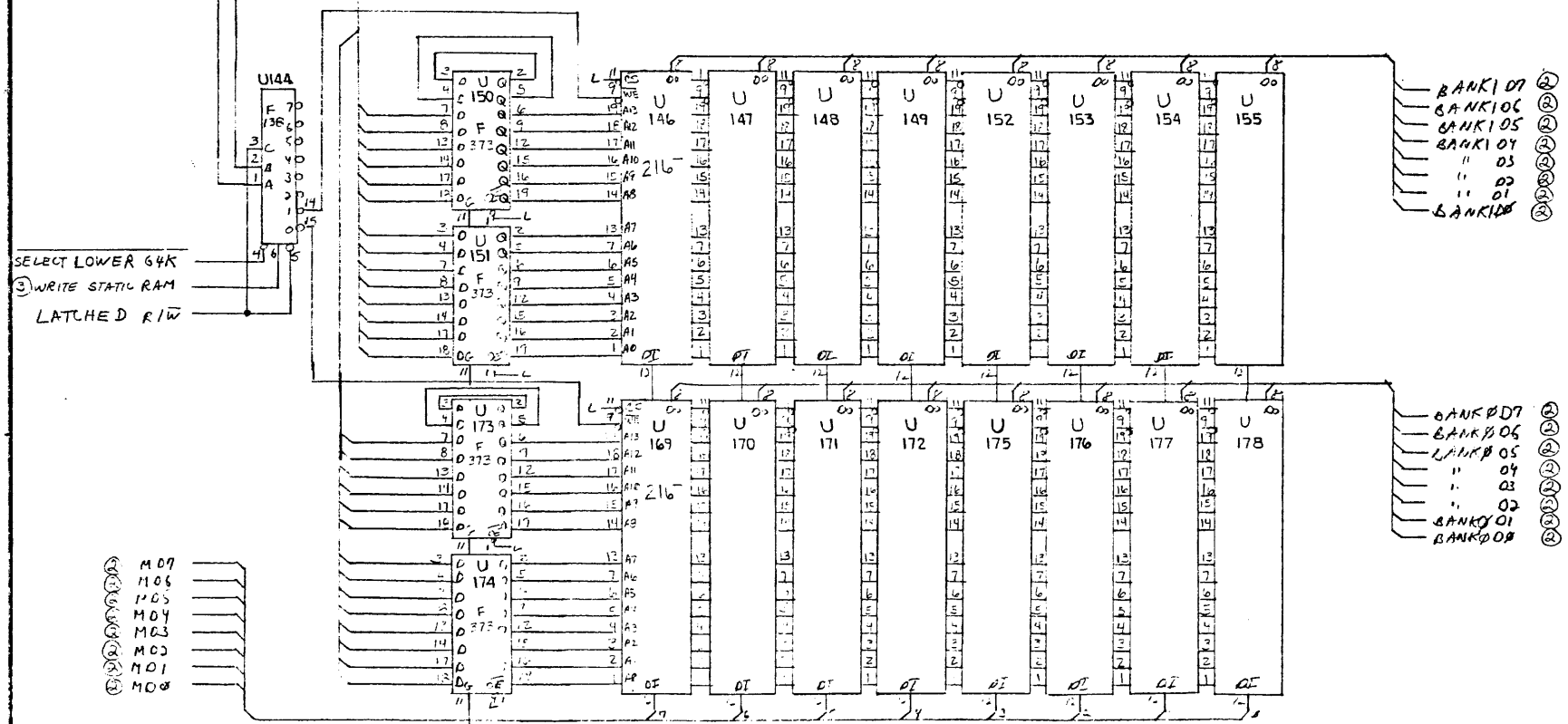


- ⑤ READY
- ③ LATCHED R/W
- ④ READY FROM CONNECTOR
- ⑥ INTERRUPT
- ⑦ NMI
- ⑧ BUS ENABLE



- 816 CLOCK
- OPEN ADDRESS LATCHES
- WRITE STATIC RAM
- SYSTEM CLOCK
- SYSTEM CLOCK
- READ REGISTERS
- RESET
- BUFFERED CLOCK SOURCE
- CLOCK SOURCE
- CLOCK SOURCE
- CMOS RESET
- RESET
- MODE-7
- OUT0
- OUT05
- OUT03
- OUT04
- OUT03
- OUT02
- OUT04
- OUT08
- OUT09
- R/W
- A04
- A03
- A02
- A01
- A00
- A19
- A18
- A15
- A14
- A13
- A12
- A11
- A10
- A9
- A8
- A7
- A6
- A5
- A4
- A3
- A2
- A1
- A0
- VPA
- VECTOR PULL
- VDA

- ① A15
- ② A14
- ③ A13
- ④ A12
- ⑤ A11
- ⑥ A10
- ⑦ A9
- ⑧ A8
- ⑨ A7
- ⑩ A6
- ⑪ A5
- ⑫ A4
- ⑬ A3
- ⑭ A2
- ⑮ A1
- ⑯ A0



SELECT LOWER 64K
 ③ WRITE STATIC RAM
 LATCHED R1W

- BANK107 ②
- BANK106 ②
- BANK105 ②
- " 03 ②
- " 02 ②
- BANK108 ②

- BANK107 ②
- BANK106 ②
- BANK105 ②
- " 04 ②
- " 03 ②
- " 02 ②
- BANK101 ②
- BANK100 ②

- ① M07
- ② M06
- ③ M05
- ④ M04
- ⑤ M03
- ⑥ M02
- ⑦ M01
- ⑧ M00

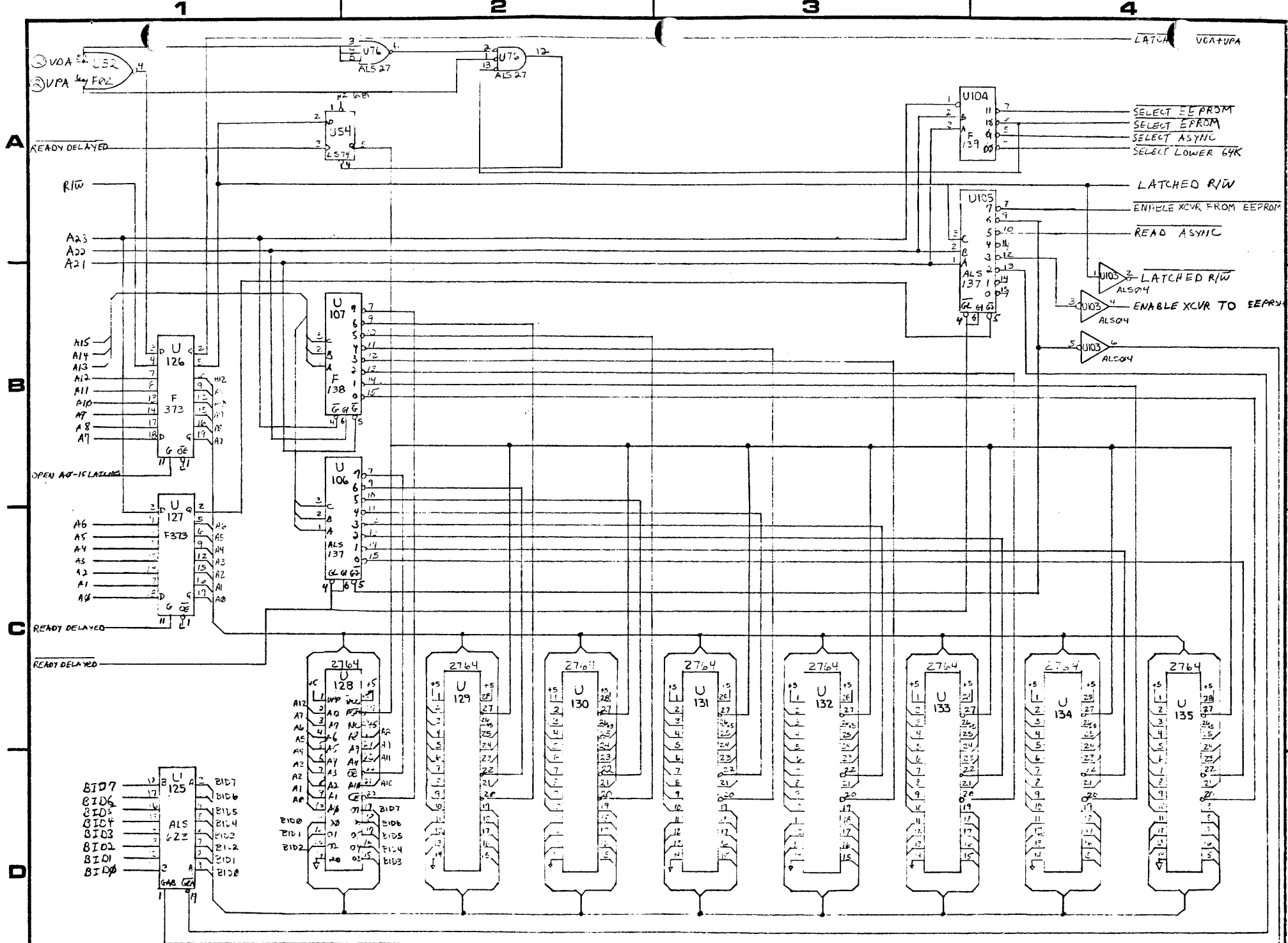
OPEN A7-A5 LATCHES

FAST STATIC RAM



ADVANCED ELECTRONICS
 DESIGN, INC.
 SUNNYVALE, CALIF. 94086

C	DRAWING NUMBER	REV
	120261-01	B

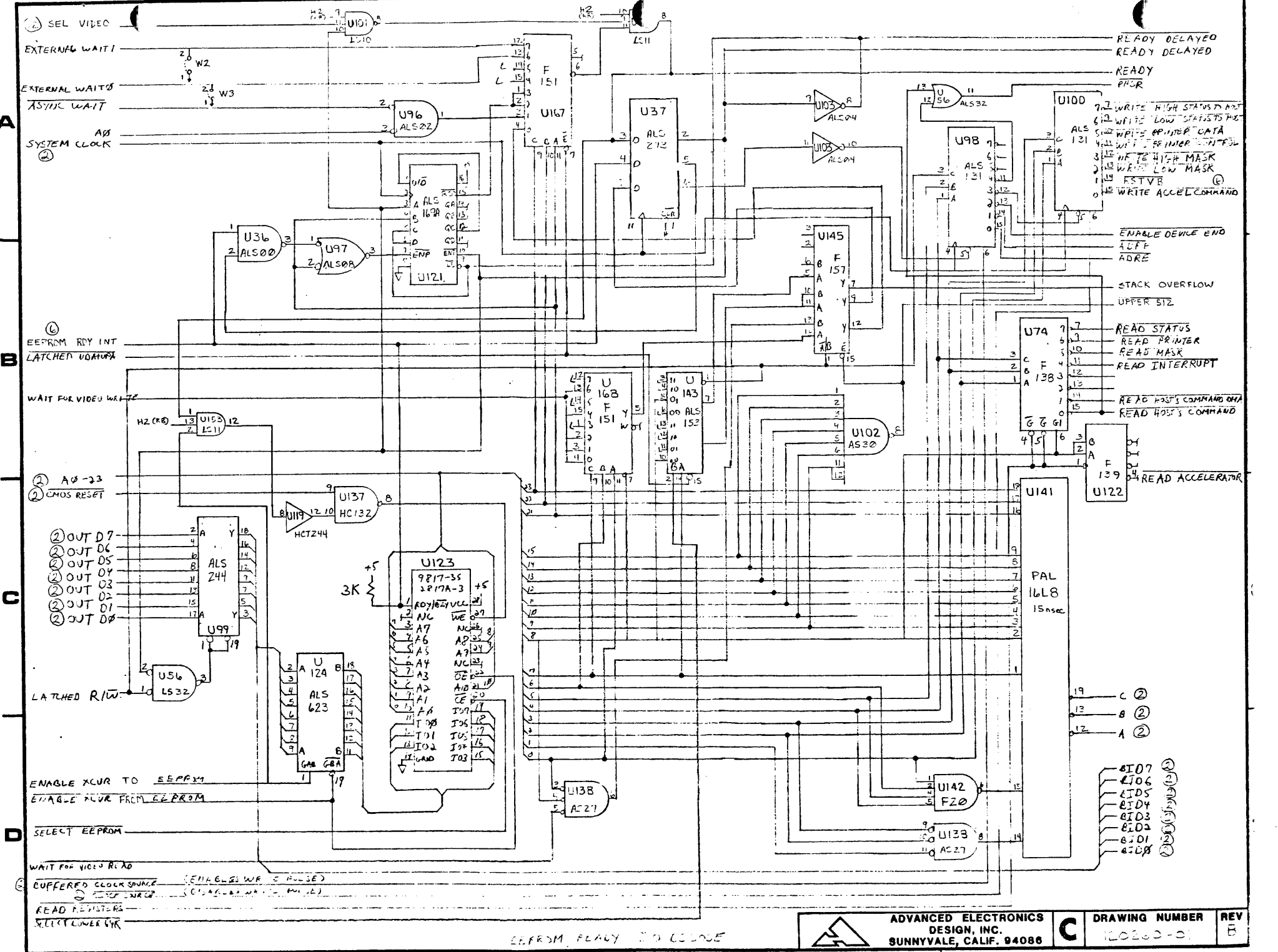


EPROM SELECTS TRANSMITTER CONTROL



ADVANCED ELECTRONICS
DESIGN, INC.
SUNNYVALE, CALIF. 94086

C DRAWING NUMBER
100-1-01
REV
3

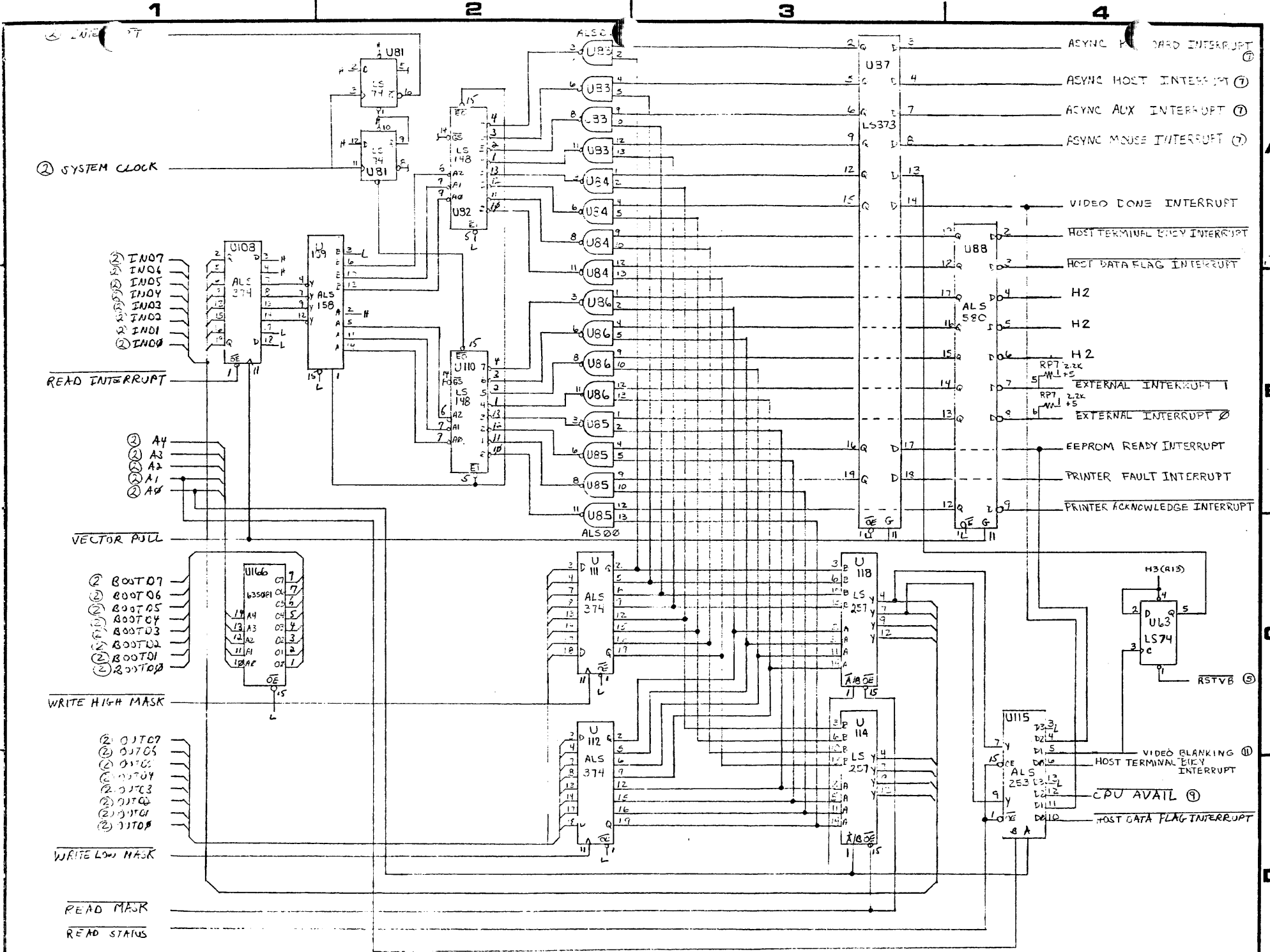


EEPROM READY TO CLOCK


ADVANCED ELECTRONICS
DESIGN, INC.
SUNNYVALE, CALIF. 94086

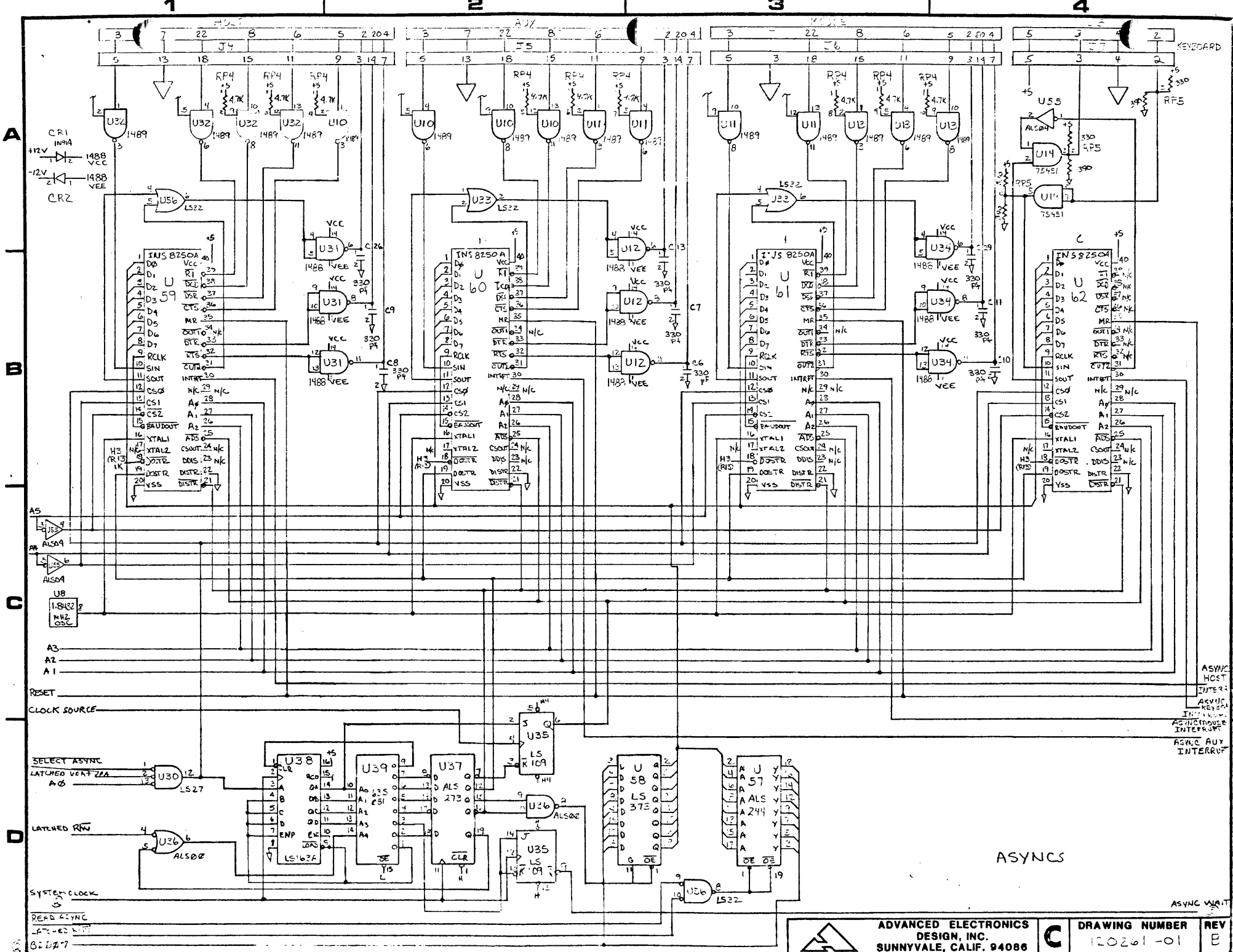
C DRAWING NUMBER
120200-01

REV
B



ROOT PROM, INTERRUPTS, STATUS

	ADVANCED ELECTRONICS DESIGN, INC. SUNNYVALE, CALIF. 94088	C	DRAWING NUMBER 120261-01	REV B



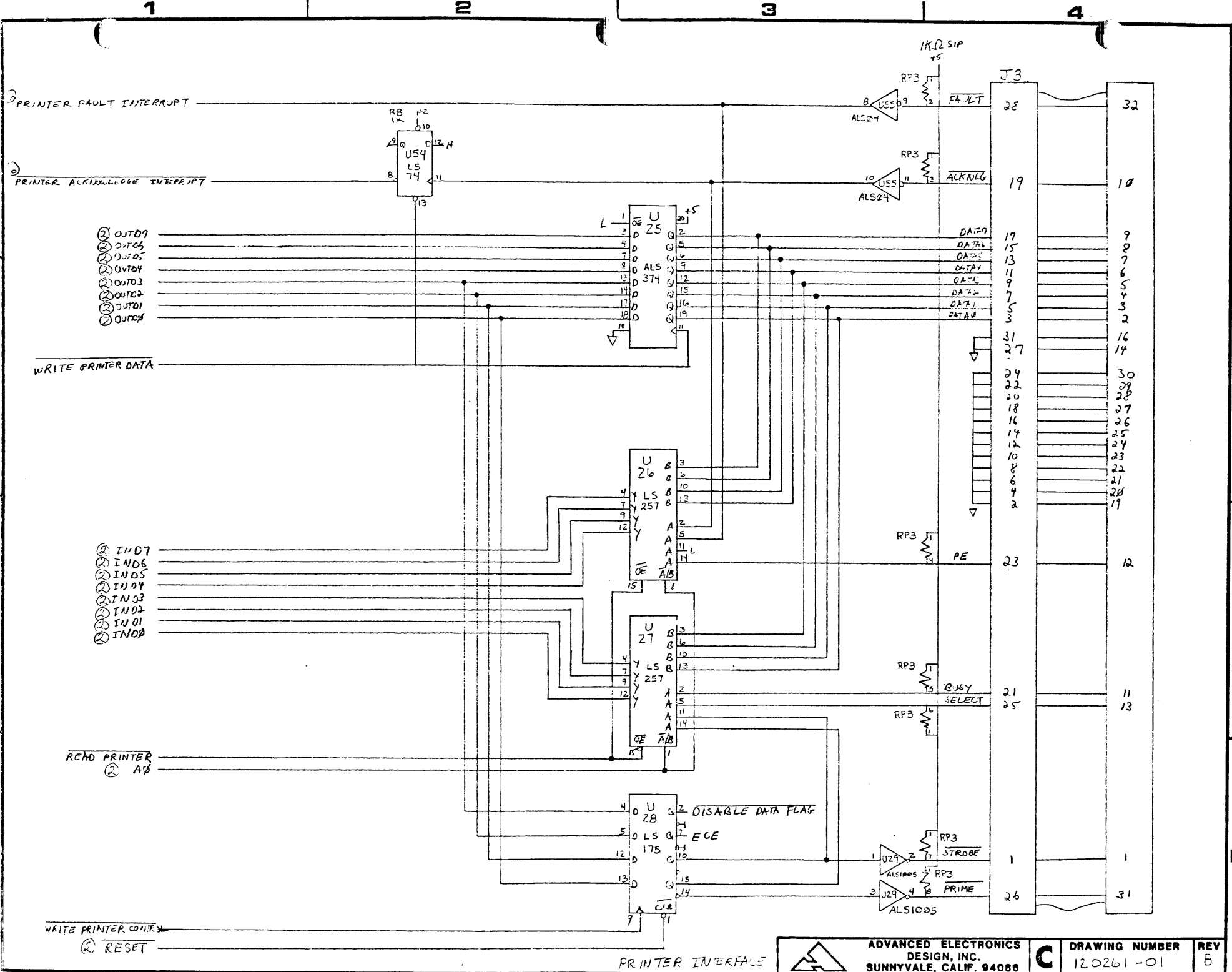
A

B

C

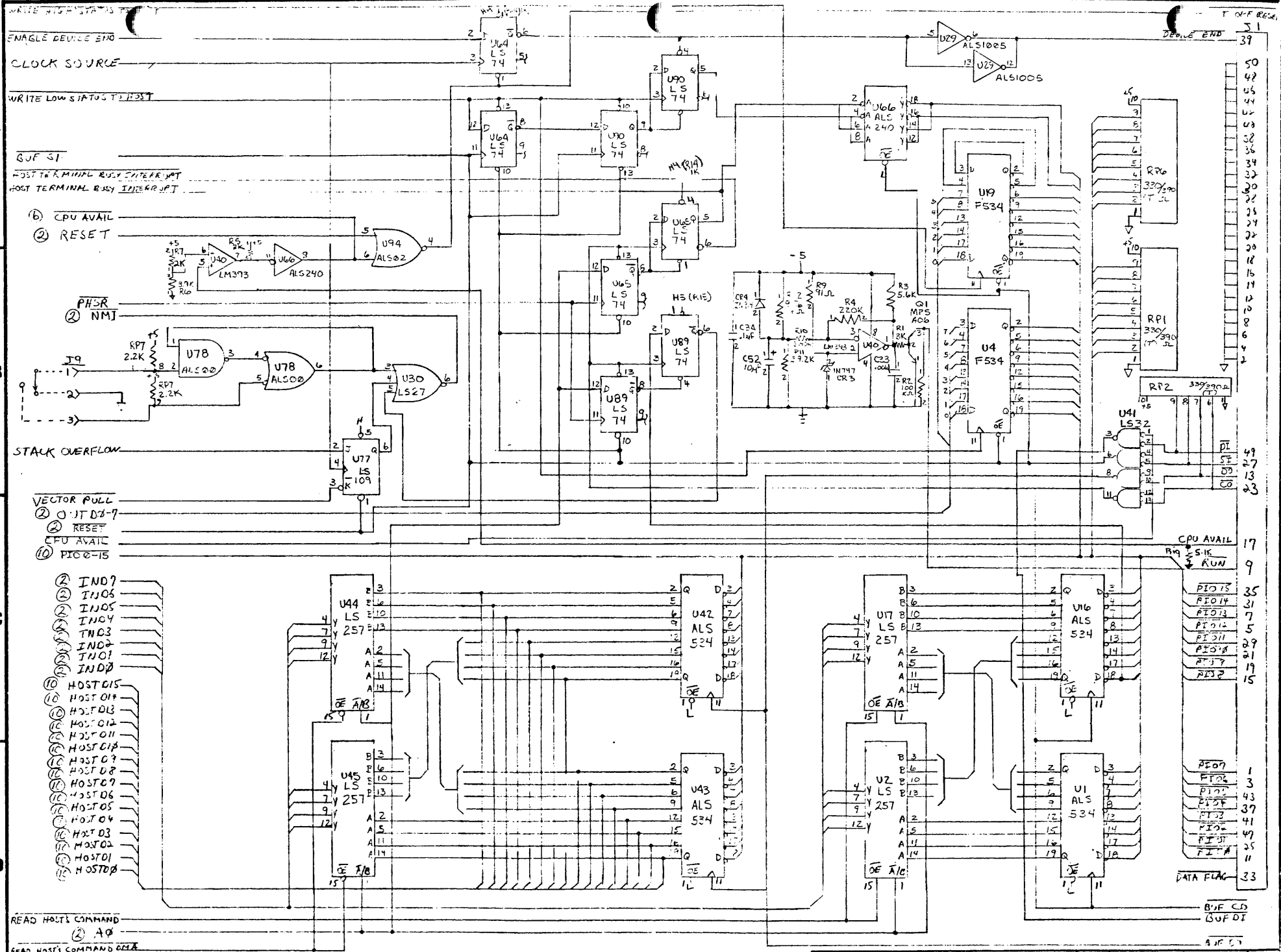
D

	ADVANCED ELECTRONICS DESIGN, INC. SUNNYVALE, CALIF. 94086	C	DRAWING NUMBER 120261-01	REV E
	ASYNC HOUT ASYNC KEY SW ASYNC INTERRUPT ASYNC AUX ASYNC INTERRUP ASYNC WRIT			



PRINTER INTERFACE

	ADVANCED ELECTRONICS DESIGN, INC. SUNNYVALE, CALIF. 94086	C	DRAWING NUMBER 120261-01	REV B
	SHEET 05 OF 12			



HOST PARALLEL INTERFACE



ADVANCED ELECTRONICS
DESIGN, INC.
SUNNYVALE, CALIF. 94086

C

DRAWING NUMBER
100-01-001
REV
E

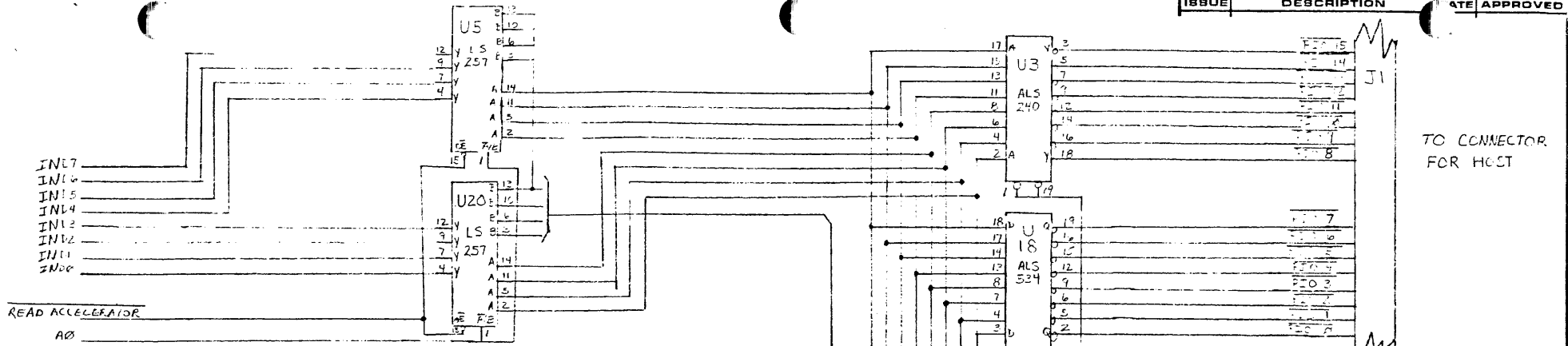
1

2

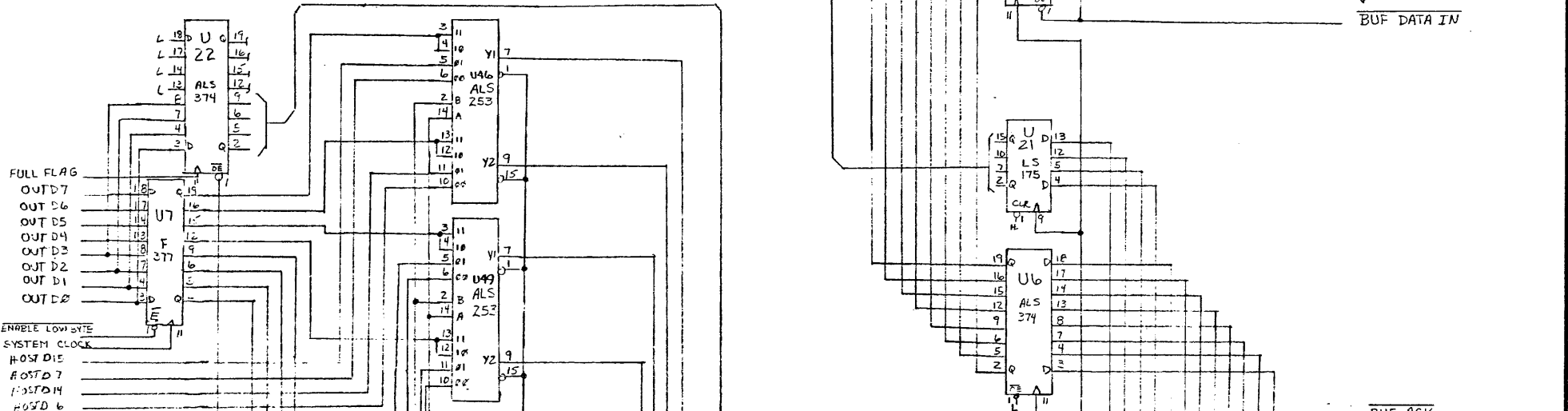
3

4

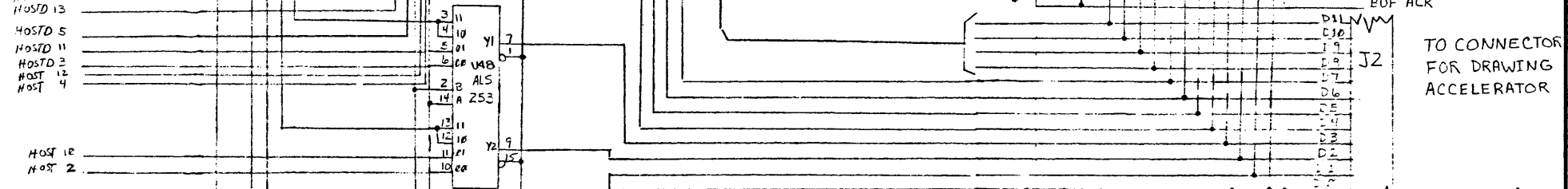
A



B



C



D

DASH NO. NEXT ASSY USED ON APPLICATION	-03 -02 -01 QTY REQD TOLERANCE UNLESS OTHERWISE SPECIFIED .XX = ± .XXX = ± ANGULAR SURFACE SCALE	PART NUMBER CODE IDENT	DESCRIPTION ITEM NO.	DWN. CHK APPD.
		MATERIAL FINISH DRAWING TITLE		
		ADVANCED ELECTRONICS DESIGN, INC. SUNNYVALE, CALIF. 94088		DRAWING NUMBER 20251-01

1

2

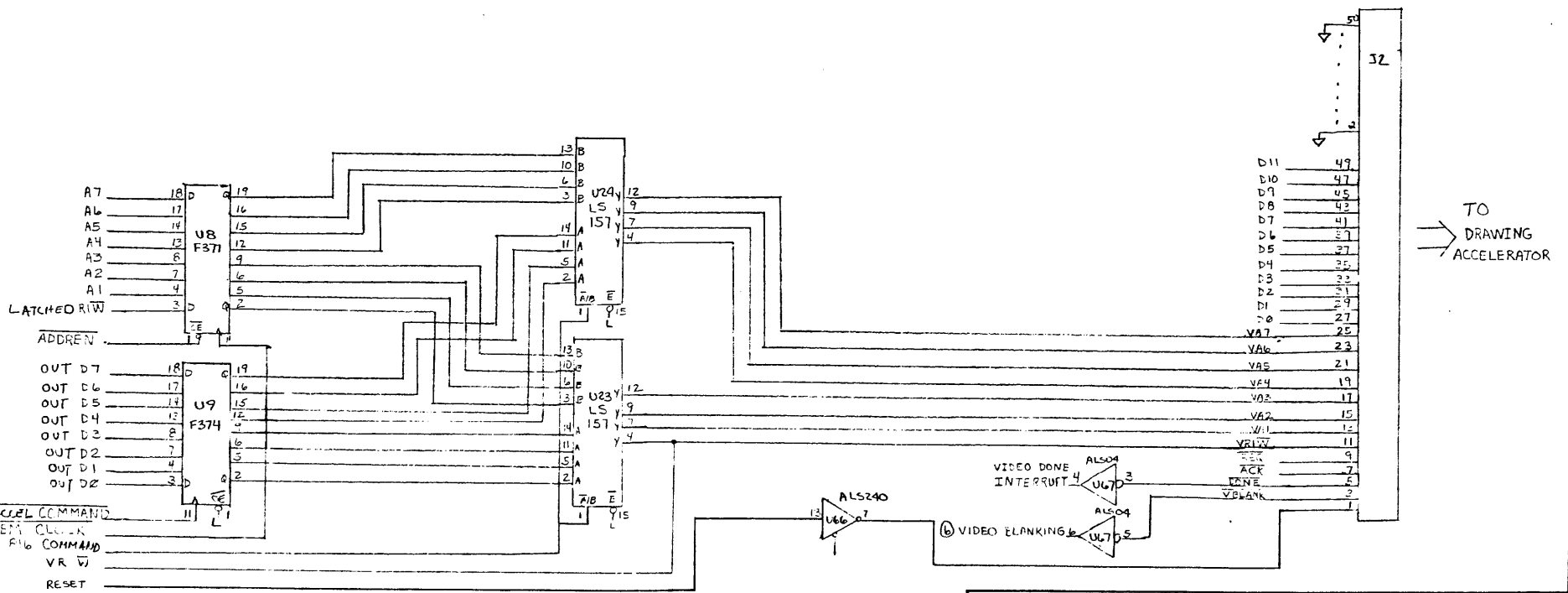
3

1

2

3

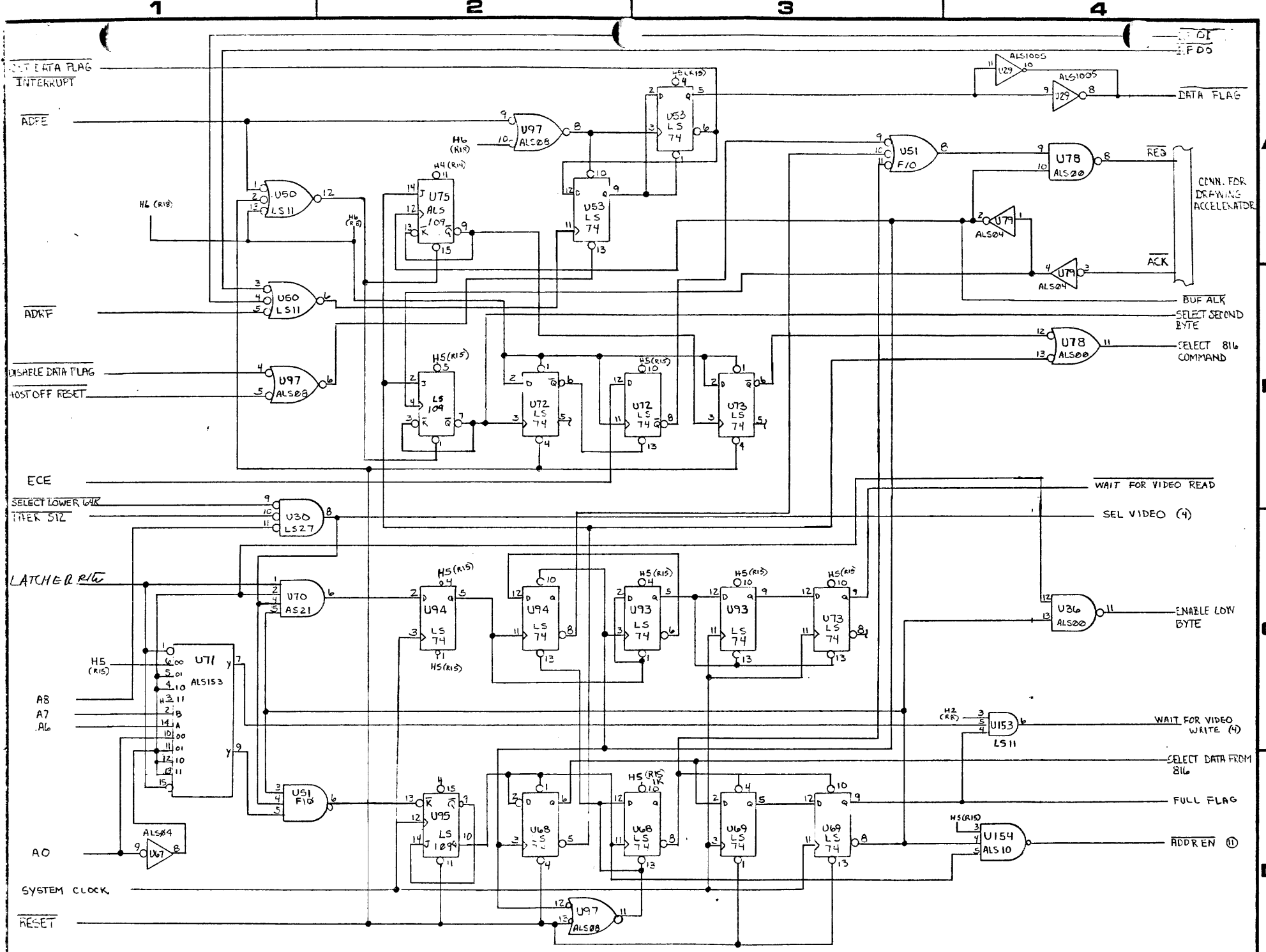
4



ADVANCED ELECTRONICS
 DESIGN, INC.
 SUNNYVALE, CALIF. 94088

DRAWING NUMBER
 120261-01

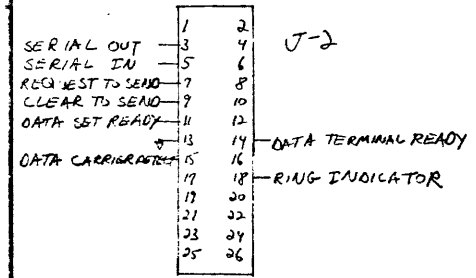
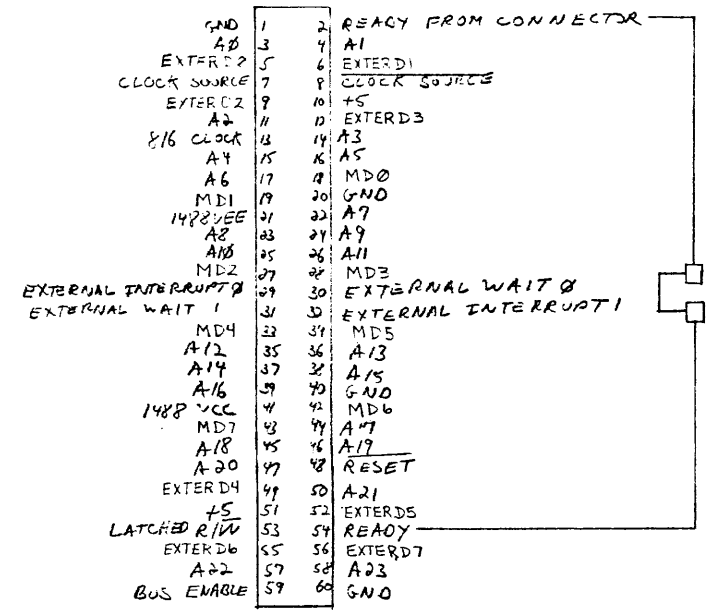
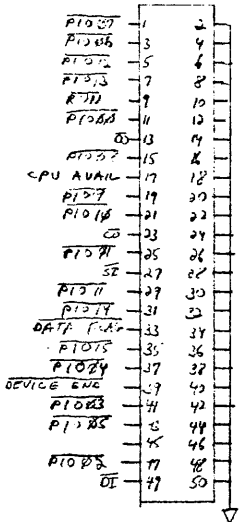
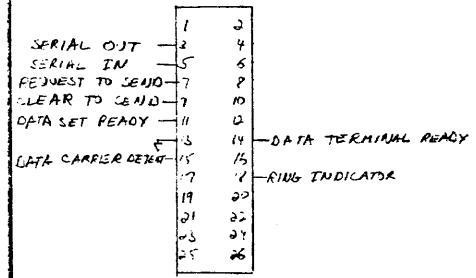
REV
 B



RS-232C

HOST

J-9



DRAWING ACCELERATOR

