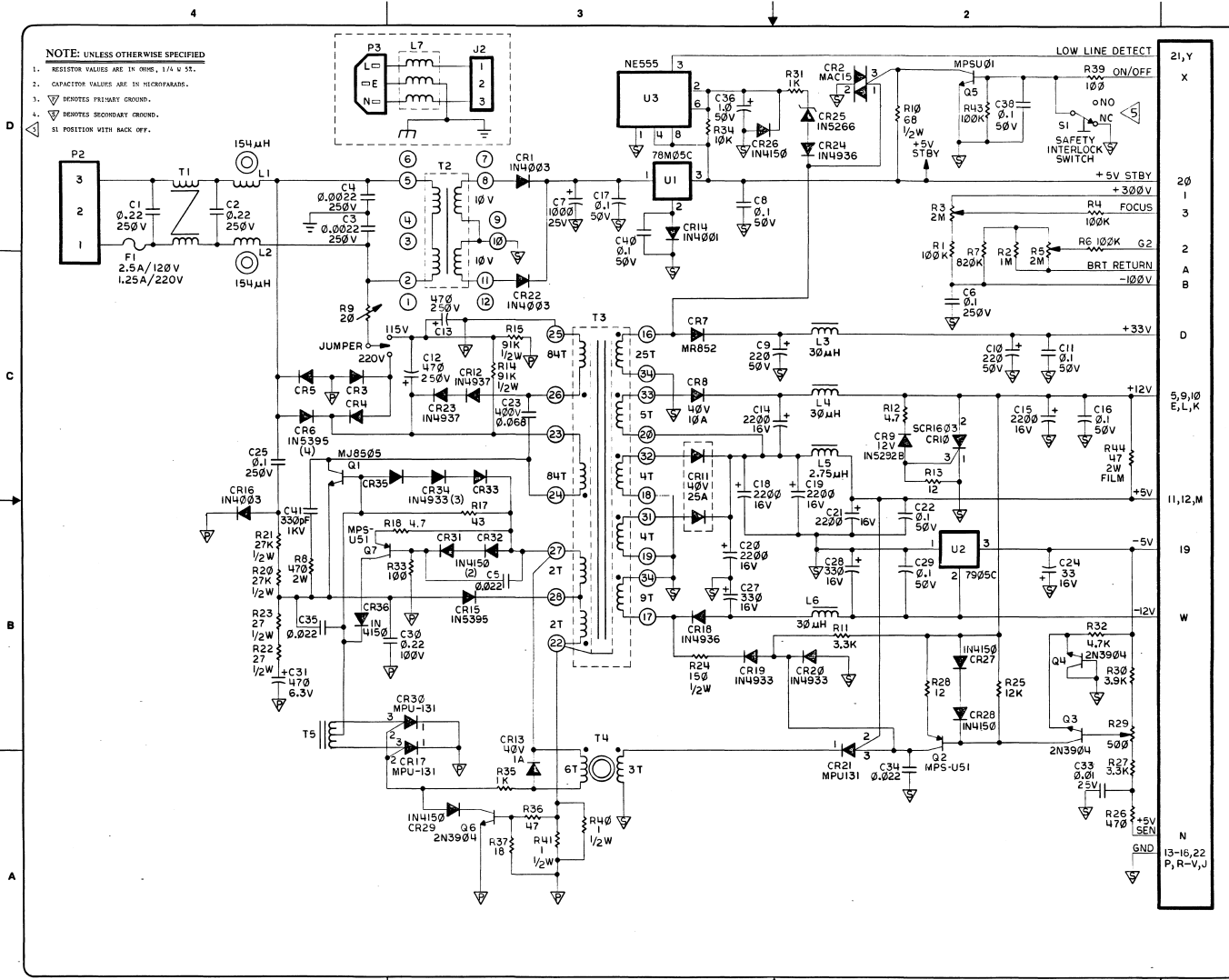


NOTE: UNLESS OTHERWISE SPECIFIED
1. RESISTOR VALUES ARE IN OHMS, 174 Ω ST.
2. CAPACITOR VALUES ARE IN MICROFARADS.

- 3. ▽ DENOTES FLYBACK GROUND.
- 4. ▽ DENOTES SECONDARY GROUND.
- 5. S1 POSITION WITH BACK OFF.



REV	ZONE	ECO*	REVISION	APPD.
A		B196	INITIAL RELEASE	

METRIC		apple computer inc.	
NOTE: ALL PROPRIETARY RIGHTS ARE RESERVED BY APPLE COMPUTER, INC. THE INFORMATION CONTAINED HEREIN IS UNCLASSIFIED AND IS NOT TO BE REPRODUCED OR TRANSMITTED IN ANY FORM OR BY ANY MEANS, ELECTRONIC OR MECHANICAL, INCLUDING PHOTOCOPYING, RECORDING, OR BY ANY INFORMATION STORAGE AND RETRIEVAL SYSTEM.			
SCHEMATIC POWER SUPPLY UNIVERSAL LISA			
JUSTICE	POS	D	050-4019-A

050-4019-A
1/1