

DATE: April 18, 1991

MODEL 825 TOP ASSEMBLY PART NUMBER 99-04912

PART NUMBER	DESCRIPTION	REF.	QUANTITY
36-01161	SCR EXSEM PAN PH 4-40X1/4		2
51-02327-00	CABLE CLAMP DT/9T IF		1
80-01181-12-C	PCBASSY DMC		1
80-02204-02-D	PCBASSY CPU32 25MHZ FINA		1
80-02206-02-A	PCBASSY GC16 1MB FINA		1
80-02214-00-B	PCBASSY RS232/IF 16CHNL		1
80-02735-02-A	PCBASSY MEMORY 8MB FINA		1
80-02735-02-B	PCBASSY MEMORY 8MB FINA		0
80-03538-02-A	PCBASSY EDT/SCSI FINA		1
80-03540-04-B	PCBASSY SCSI/QIC-02 W/RTNG PL		1
88-02807-08	KIT COV CHARCOAL SYS800 ARIX		1
88-03337-01	KIT MNL SITE PREP/MAINT SYS800		1
88-03550-13	KIT TAPE DR 150MB LT CHAR		1
88-04375-01	KIT SHIP SYS800 AR		1
88-04652-02	KIT D/D SCSI HZ 380MB #0 S800		1
94-04738-00	ASSY FNL 800 110/220VAC		1

**DATE:** April 18, 1991

**MODEL 825 COVER KIT 88-02807**

<b>PART NUMBER</b>	<b>DESCRIPTION</b>	<b>REF.</b>	<b>QUANTITY</b>
52-02643-01	TRIM STRIP SYS800 MAROON 30.0		2
52-04285-08	PNL FR MLD HALF HGT AR LT CHA		1
81-02701-00	ASSY GRILLE W/ AIR FLTR		1
36-02646-01	FSTNR BALL STUD .079-0105GR		16
36-02646-02	FSTNR BALL STUD .052-.078GR		6
42-03080-00	OPT PORT GRMT PLG 50P 3.25+ .0		6
42-03078-00	OPT PORT GRMT PLG 60P 3.8+ .05		2
42-03079-00	OPT PORT GRMT PLG 26P 1.95+ .0		8
51-02686-00	BRKT I/O CONN PNL SYS800		1
51-02768-02	PNL SIDE RT DK CHAR SYS800		1
51-02768-03	PNL SIDE LT DK CHAR SYS800		1
51-02769-03	COV TOP DK CHAR SYS800		1
52-04139-00	STRIP TRIM FR MAROON SYS800		1
36-00570	NUT KEP 6-32		2
36-01915	SCR SEM SQCON PH 6-32X3/8 ZI		20

**DATE:** April 24, 1991

**MODEL 825 GRILL ASSEMBLY W/AIR FILTER PART NUMBER 81-02701**

<b>PART NUMBER</b>	<b>DESCRIPTION</b>	<b>REF.</b>	<b>QUANTITY</b>
36-02646-01	FSTNR BALL STUD .079-0105GR	1	2
51-02384-00	FILTER AIR	2	1
51-04041-00	BRKT AIR FILTER SYS 800	3	1
52-04268-03	GRL VENTED SYS800 DK CHAR	4	1
36-00498	SCR EXSEM PAN PH 6-32X1/4 ZI	6	2

**DATE:** April 18, 1991

**MODEL 825 MANUAL KIT PART NUMBER 88-03337**

<b>PART NUMBER</b>	<b>DESCRIPTION</b>	<b>REF.</b>	<b>QUANTITY</b>
DO-99423-00	MNL SET SITE PREP/MAINT SYS800	0	1

**DATE:** April 24, 1991

**MODEL 825 150 MB TAPE DRIVE KIT PART NUMBER 88-03550**

<b>PART NUMBER</b>	<b>DESCRIPTION</b>	<b>REF.</b>	<b>QUANTITY</b>
28-04260-03	DR TAPE YEL 150MB LT CHAR ARC	1	
36-00567	WSHR FLT STL #6 3/8 1/32	0	4
36-01915	SCR SEM SQCON PH 6-32X3/8 ZI	0	4

**DATE:** April 18, 1991

**MODEL 825 SHIP KIT 88-04375**

<b>PART NUMBER</b>	<b>DESCRIPTION</b>	<b>REF.</b>	<b>QUANTITY</b>
36-01915	SCR SEM SQCON PH 6-32X3/8 ZI	0	14
36-02655-01	FSTNR CLIP SPD NUT .075PNL	0	3
36-04405-02	SCR SEM SQCON PH 8-32X3/8 BLK P	0	15
36-04406-03	SCR SEM SQCON PH 6-32X3/8 BLK P	0	5
51-00493	PLT LOGIC BLANK 1POS	0	2
51-00494	PLT LOGIC BLANK 2POS	0	2
51-02348-00	PNL EXHAUST LWR	0	1
51-02379-01	PLT RTNG BLANK SYS800 W/GNDCL	0	4
51-04305-00	SHIELD PCB ACCESS SYS800	0	1
51-04365-00	PNL EXHAUST UPPER SYS 800	0	1
52-00891	LBL FCC	0	1
52-00892	LBL UL	0	1
52-04190-00	LBL SERIAL NUMBER ARIX	0	1
52-05522-00	LBL BREAKER 110 VAC	0	1
52-05522-01	LBL BREAKER 220 VAC	0	1
52-06855-00	FORM CUSTOMER RESPONSE	0	1
MD-04190-00	DWG MOD LBL SERIAL NUMBER ARI	0	0

**SERIAL NUMBER LABEL**

DWG NO MD-04190-00 SH 1 REV A

DATE	APPROVED
6-8-90	LJD

Line	A Model	B Serial Number	C Voltage	D Current	E Frequency	Notes
800	110 V	120 V	120 V	12	5060	
800	220 V	See Note 1.	208-240 V	10	5060	
800	Peripheral Expansion - 110V	See Note 1.	120 V	12	5060	
800	Peripheral Expansion - 220 V	See Note 1.	208-240 V	10	5060	
825	110 V	See Note 1.	120 V	12	5060	
825	220 V	See Note 1.	208-240 V	10	5060	
850	Peripheral Expansion - 110V	See Note 1.	120 V	12	5060	
850	Peripheral Expansion - 220 V	See Note 1.	208-240 V	10	5060	
900	110 V	See Note 1.	120 V	12	5060	
900	220 V	See Note 1.	208-240 V	8	5060	
1100	110 V	See Note 1.	120 V	10	5060	
1100	220 V	See Note 1.	208-240 V	8	5060	
1200	1200V/EXP	See Note 1.	208-240 V	10	5060	
1600	Peripheral Expansion	See Note 1.	208-240 V	10	5060	
System90/40	System90 Model 40	See Note 1.	208-240 V	24	5060	Note 2.
System90/80	System90 Model 80	See Note 1.	208-240 V	24	5060	Note 3.
System90/25	System90 Model 25	See Note 1.	100 - 120 V	16	5060	
System90/25	System90 Model 25	See Note 1.	208-240 V	12	5060	
System90/45	System90 Model 45	See Note 1.	208-240 V	24	5060	
System90/85	System90 Model 85	See Note 1.	208-240 V	24	5060	
System90/EXP	System90/EXP	See Note 1.	208-240 V	24	5060	
System90/25	System90/25	See Note 1.	100 - 120 V	12	5060	
System90/25	System90/25	See Note 1.	208-240 V	10	5060	
System90/25	System90/25	See Note 1.	120 V	7	5060	
System90/25	System90/25	See Note 1.	208-240 V	4	5060	

**ARIX®**  
CORPORATION

52-04190-00  
REV  
MADE IN USA

MODEL	A	B	C
S/N			
VOLTAGE ~			
CURRENT			A
FREQUENCY			Hz

4.

DWG NO MD-04190-00

- Notes:
1. Use the Serial Number assigned to the individual system or cabinet.
  2. A System90/45 is a single cabinet system or the main cabinet of a System90/85.
  3. A System90/85 is the I/O expansion cabinet in a System90/85 or an add-on I/O expansion cabinet for a System90/45.
  4. Using the information from the label which is appropriate to the product indelibly print each line of the model/serial number label.

DR. T. NEALE	5-18-90	APPVD	DATE	PR/DCH	REV
CK	5-18-90				
ME					
EE					
PE					

**ARIX CORPORATION**  
52-04190-00  
MODIFICATION DRAWING,  
SERIAL NUMBER LABEL

DIMENSIONS	SCALE	DWG NO.	REV
11" x 17"	1" = 16"	MD-04190-00	A

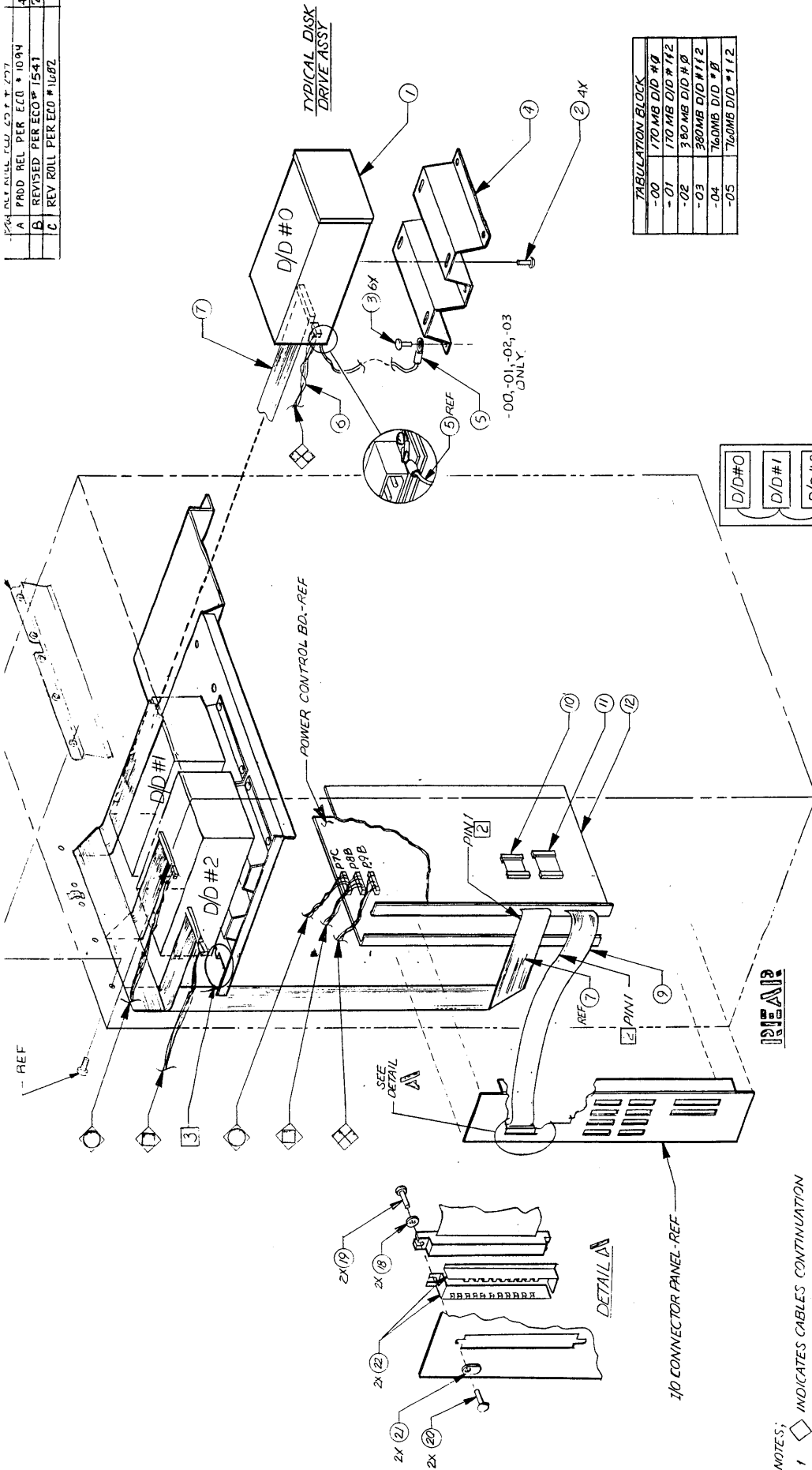
**DATE:** April 18, 1991

**MODEL 825 SCSI HORIZONTAL MOUNT PART NUMBER 88-04652**

<b>PART NUMBER</b>	<b>DESCRIPTION</b>	<b>REF.</b>	<b>QUANTITY</b>
81-04628-01	ASSY DR W/LBL CDC 380M SCSI	1	1
36-01915	SCR SEM SQCON PH 6-32X3/8 ZI	2	4
36-02944-00	SCR SEM SQCON PPH 8-32X3/8 ZI	3	6
51-04367-00	BRKT MNTG DISK DRIVE SYS 800	4	1
82-02456-00	ASSY CBL DSK DR GND	5	1
82-04295-01	ASSY CBL PWR SCSI DRIVES 22"	6	1
82-04805-00	ASSY CBL DISK DR HORZ MT SCSI	7	1
82-04294-00	ASSY CBL SCSI PCB TO PNL 800	9	1
36-01135	WASHER FLAT #4<.375X.062 STL	18	2
36-00574	SCR EXSEM PAN PH 4-40X1/2 ZI	19	2
36-06824-00	SCR EXSEM PAN PH 4-40X3/8 ZI	20	2
51-01461	CLIP STRAIN RELIEF	21	2
51-03360-00	CONN SHIELD MODIFIED	22	2
IK-04652-XX	DWG INSTL KIT SCSI HORIZ MT	300	0



REVISED PER ECO # 1094	31.6.84	DE
REVISED PER ECO # 1541	27.9.80	DE
REV ROLL PER ECO # 11682		



TABULATION BLOCK	
-00	170MB DID #0
-01	170MB DID #1F2
-02	380MB DID #0
-03	380MB DID #1F2
-04	760MB DID #0
-05	760MB DID #1F2

REVISED PER ECO # 1094	31.6.84	DE
REVISED PER ECO # 1541	27.9.80	DE
REV ROLL PER ECO # 11682		

REVISED PER ECO # 1094	31.6.84	DE
REVISED PER ECO # 1541	27.9.80	DE
REV ROLL PER ECO # 11682		

REVISED PER ECO # 1094	31.6.84	DE
REVISED PER ECO # 1541	27.9.80	DE
REV ROLL PER ECO # 11682		

REVISED PER ECO # 1094	31.6.84	DE
REVISED PER ECO # 1541	27.9.80	DE
REV ROLL PER ECO # 11682		

REVISED PER ECO # 1094	31.6.84	DE
REVISED PER ECO # 1541	27.9.80	DE
REV ROLL PER ECO # 11682		

- NOTES:
- 1 INDICATES CABLES CONTINUATION
  - 2 RED POLARITY STRIPE ON TOP
  - 3 ALL CABLES WILL ROUTE THRU PASSAGE AS SHOWN
  - 4 REFER TO IP-04652-XX FOR SCSI DISK DRIVE HARDWARE INSTALLATION PROCEDURE.

TOP VIEW OF DISK PLACEMENT AND CABLE ROUTING

IP-04652-XX C

**DATE:** April 19, 1991

**MODEL 825 380 MB DRIVE & LABEL PART NUMBER 81-04628**

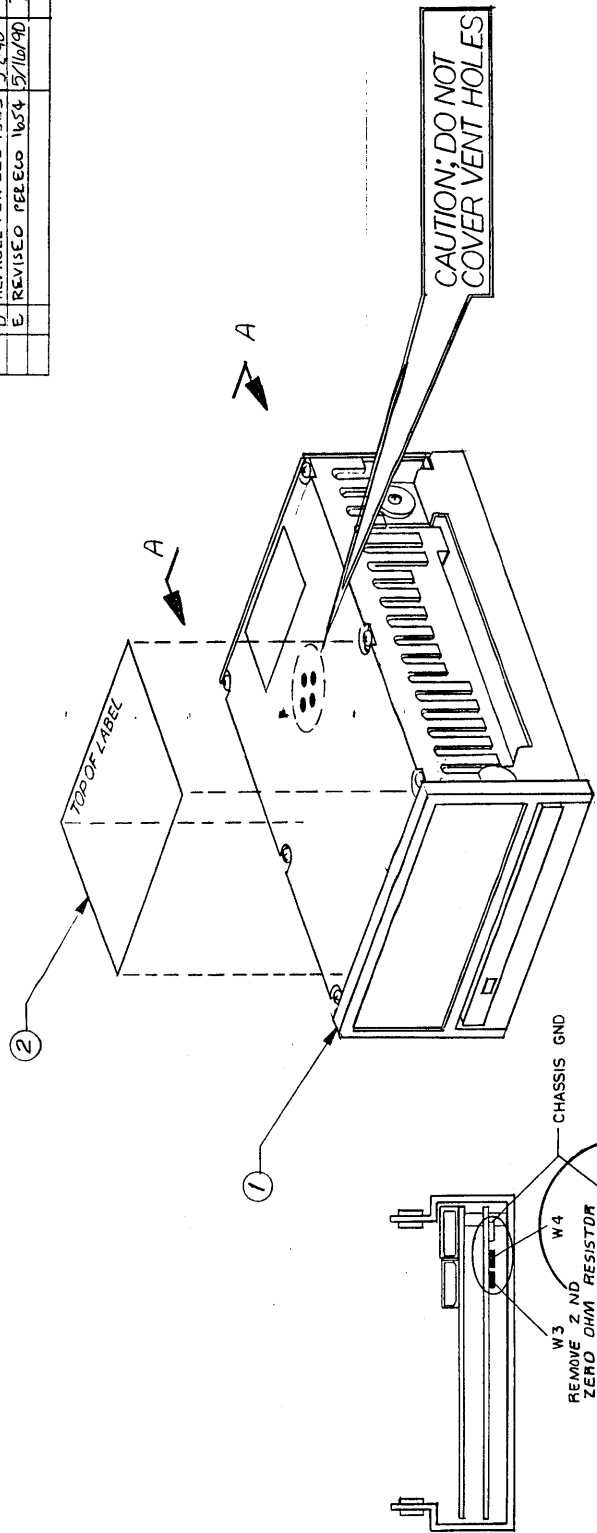
<b>PART NUMBER</b>	<b>DESCRIPTION</b>	<b>REF.</b>	<b>QUANTITY</b>
28-04184-01	DRV DSK 380MB SEAG WR4 SCSI	1	1
52-04531-00	LBL CDC 380M W4 DSK DR SCSI	2	1
AD-04628-XX	DWG ASSY SCSI DRIVE W/LBL	300	0

DRWG ASSY CONFIG LABEL TRBDP SCSI DRIVE

AD-04628-XX / E

A	PROD RLSZ PER ECO # 1098	11/2/89	BCD/DR
B	REV ROLL PER ECO # 1183	4/6/89	DR
C	REVISED PER ECO # 1541	2/7/90	DR
D	REV ROLL PER ECO # 1545	2/2/90	DR
E	REVISED PER ECO # 1634	9/10/90	DR

81-04628-XX

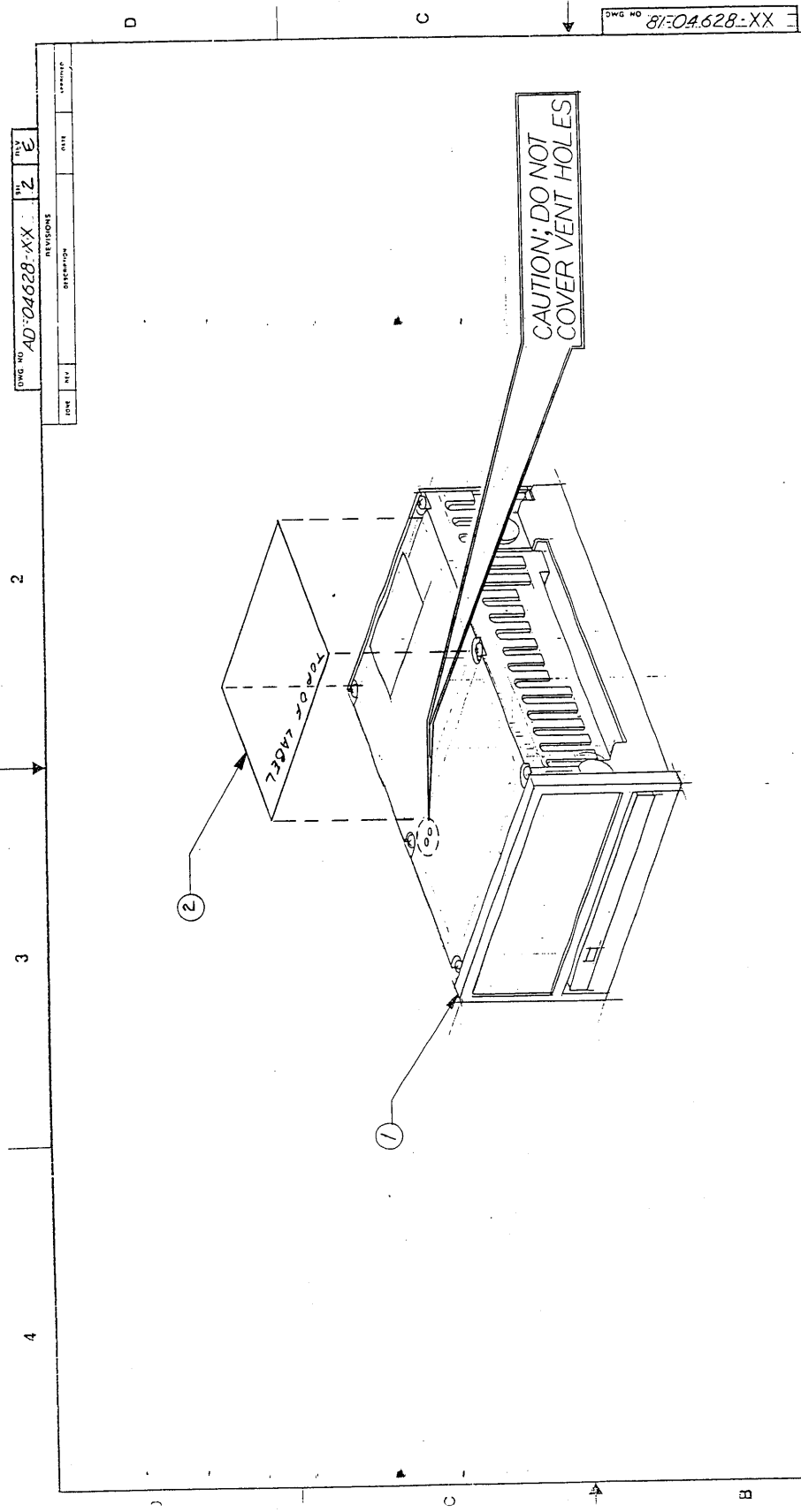


DASH NO.	DESCRIPTION	SHEET
-00	170 MB	1
-01	380 MB	1
-02	760 MB	2

VIEW A-A  
SCALE: NTS  
ONLY USED FOR -00 170 MB

DRWGR PHILLIPS	9/1/88	DATE	PR/DCN	REV
DRW	BCD	1/13/89		
REV				
REVISIONS				
<b>ARTE</b>				
DRWG ASSY CONFIG LABEL TO SCSI DRIVE				
MATERIALS		UNLESS OTHERWISE SPECIFIED: SEE 4/M		
FINISHES		SEE 4/M		
DIMENSIONS IN	TOLERANCE	SCALE	DWG. NO.	REV
"	"	"	C AD-04628-XX	E
"	"	SHT 1 OF 2		

CONFIG LBL TO SCSI DRIVE



DATE	BY	DESCRIPTION	REV	REV
			2	E

2

3

4

DWG NO 81:04.628-XX

DR/REV	DATE	APPVD	DATE	PR/DCH	REV
CK BCD	1.13.89				
ME					
EE					
PE					

REVISIONS

**ARETE** BY: P. LANE, S. M. JOSE, C. W. H. III

DWG ASSY CONFIG LABEL TO SCSI DRIVE

DIMENSIONS IN	TOLERANCE	SCALE	DWG NO	REV
SEE L/M	—	SHT 2 OF 2	C AD-04628-XX	E

**DATE:** April 24, 1991

**MODEL 825 FINAL ASSEMBLY PART NUMBER 94-04738**

<b>PART NUMBER</b>	<b>DESCRIPTION</b>	<b>REF.</b>	<b>QUANTITY</b>
30-00767	CLAMP CBL FLT		6
30-00776	CONN KIT MTG D FEM SCRLCK 4-4		3
36-00154	NUT KEP 4-40		2
36-00498	SCR EXSEM PAN PH 6-32X1/4 ZI		4
36-00517	NUT KEP 8-32		2
36-00570	NUT KEP 6-32		2
36-00591	CABLETIE MINI 18LB NYL 4"		2
36-00598	CABLEMNT NYL SQ 1"		2
36-00599	SCR EXSEM PAN PH 1/4-20X3/4 Z		2
36-01034	STNDOFF RND NYL .156X.187X1/4		2
36-01225	WSHR SPLTLCK 1/4 BR		2
36-01226	NUT HEX 1/4-20 BRASS		2
36-01915	SCR SEM SQCON PH 6-32X3/8 ZI		24
36-02741-00	SCR FLT PH STL 6-32X3/8 ZI		4
36-02944-00	SCR SEM SQCON PPH 8-32X3/8 ZI		74
36-04406-03	SCR SEM SQCON PH 6-32X3/8 BLK P		10
36-06824-00	SCR EXSEM PAN PH 4-40X3/8 ZI		2
40-02652-01	FOOT LEVELING 3/8-16X2-1/2 ST		4
51-02346-01	PLT I/O CONSOLE SYS800 W/GNDC		1
51-02367-00	COV SIDE PLT SYS800		1
51-02460-01	BRKT I/O RECESS SD SYS800 W/H		1
51-02635-00	CONN COV HOLE SYS800 ETHNT		1
51-02699-00	FILTER AIR INTAKE SYS800		1
51-03284-00	MNT TAPE DR SYS800		1
51-04175-00	MOUNT KEYSWITCH SYS 800		1
51-04298-00	PLT AIR SEPARATOR SYS 800		1
51-04304-00	FRONT COVER SYSTEM 800		1
51-04364-00	BRKT I/O RECESS UPPER		1
51-04366-00	COV TOP SHIELD SYS800		1
51-04369-00	BRKT BARRIER SYS 800		1

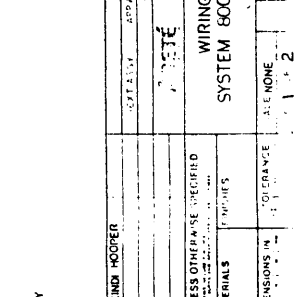
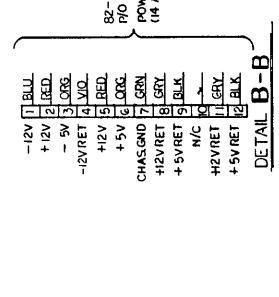
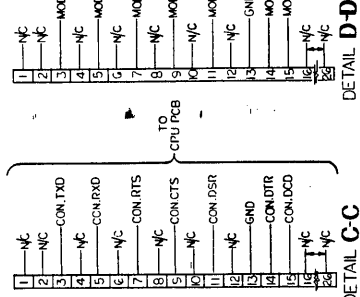
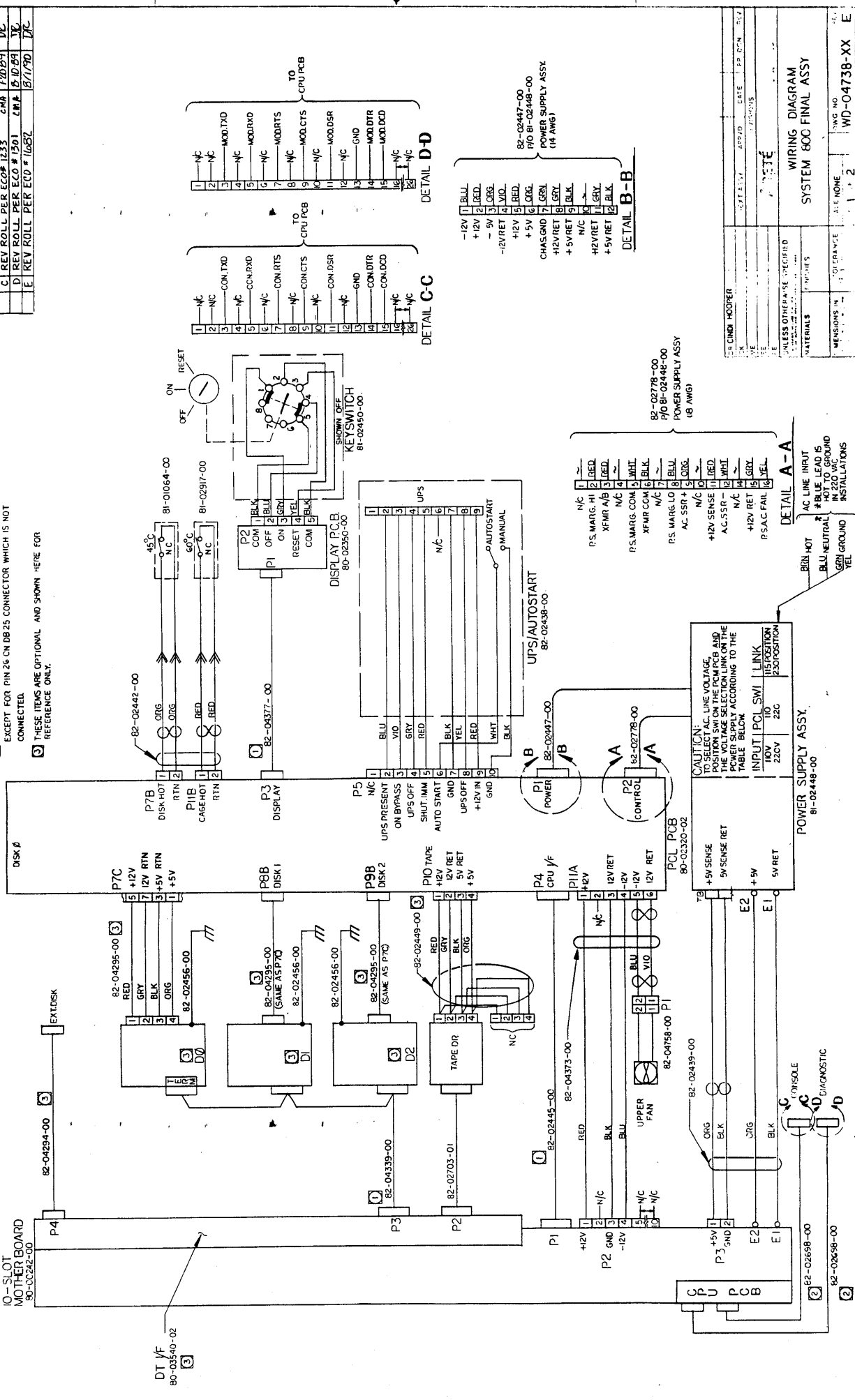
**DATE:** April 24, 1991

**MODEL 825 FINAL ASSEMBLY PART NUMBER 94-04738**

<b>PART NUMBER</b>	<b>DESCRIPTION</b>	<b>ITEM</b>	<b>QUANTITY</b>
51-04580-00	BRKT I/O RECESS LWR SYS800		1
51-04581-00	BRACE MOTHERBOARD 10-SLOT		1
51-04884-00	CABLE SHLD SYS 800		1
51-05005-00	PNL I/O CONN SYS800		1
52-01050	SHIELD 10 SLOT MB		1
80-00242-D	PCBASSY 10-SLOT M/B		1
80-02320-02-B	PCBASSY PWR CTRL SYS800 FINA		1
80-02350-00-A	PCBASSY DISPLAY SYS800		1
81-01064	ASSY HT SNSR PWR SUP CC45		1
81-02448-00	ASSY PWR SUP SYS800		1
81-02450-00	ASSY KEYSWITCH SYS800		1
81-02917-00	ASSY HT SNSR CC60		1
81-04303-00	ASSY FRAME SYS800		1
81-04376-00	ASSY FAN INTAKE 5" SYS800		2
81-04759-00	ASSY FAN SCSI DRIVE HOR MNT		1
82-02438-00	ASSY HARN UPS AUTOSTART		1
82-02439-00	ASSY HARN PWR SENSE +5V		1
82-02442-00	ASSY CBL DSK DR TEMP SENSE		1
82-02445-00	ASSY CBL CPU INTFC		1
82-02449-00	ASSY CBL PWR TAPE DR		1
82-02698-00	ASSY CBL CONSOLE SYS800		2
82-02703-00	ASSY CBL TAPE DR CTRL SYS800		1
82-04373-00	ASSY CBL PWR DIST FAN SYS 800		1
82-04377-00	ASSY CBL KEY SW FOR HORZ SCSI		1
WD-04738-XX	WIRE DIA FNL ASSY SYS800		0

- 2 WIRING ON CONSOLE AND DIAGNOSTIC CABLE IS 1 TO 1 EXCEPT FOR PIN 26 ON DB 25 CONNECTOR WHICH IS NOT CONNECTED.
- 3 THESE ITEMS ARE OPTIONAL AND SHOWN HERE FOR REFERENCE ONLY.

B	REVISED PER ECO # 1244	CHG	10/22/71	W/C
C	REV ROLL PER ECO # 1233	CHG	7/20/69	W/C
D	REV ROLL PER ECO # 1301	CHG	5/10/69	W/C
E	REV ROLL PER ECO # 1687	CHG	8/11/70	W/C



REV	DATE	APP'D	DATE	REV	DATE

WIRING DIAGRAM  
SYSTEM 800 FINAL ASSY

MATERIALS

UNLESS OTHERWISE SPECIFIED

DIMENSIONS IN INCHES

WING NO. 1 2

WD-04738-XX E

**TAPE DRIVE**  
 82-02703-01

- 1 GND
- 2 N/C
- 3 GND
- 4 N/C
- 5 N/C
- 6 N/C
- 7 N/C
- 8 N/C
- 9 N/C
- 10 N/C
- 11 TAPE.HB7
- 12 TAPE.HB6
- 13 TAPE.HB6
- 14 TAPE.HB6
- 15 TAPE.HB5
- 16 TAPE.HB4
- 17 TAPE.HB3
- 18 TAPE.HB2
- 19 TAPE.HB1
- 20 TAPE.HB0
- 21 TAPE.ONL
- 22 TAPE.REQ
- 23 TAPE.RST
- 24 TAPE.XFR
- 25 TAPE.ACK
- 26 TAPE.RDY
- 27 TAPE.EXC
- 28 TAPE.DIR
- 29 N/C
- 30 N/C
- 31 N/C
- 32 N/C
- 33 N/C
- 34 N/C
- 35 N/C
- 36 N/C
- 37 N/C
- 38 N/C
- 39 N/C
- 40 N/C
- 41 N/C
- 42 N/C
- 43 N/C
- 44 N/C
- 45 N/C
- 46 N/C
- 47 N/C
- 48 N/C
- 49 N/C
- 50 N/C

**SCSI DISK DRIVE(S)**  
 THESE SIGNALS APPLY TO ALL SCSI CHANNELS.  
 82-04339-00

- 1 SHIELD GND
- 2 GND
- 3 +DB0\*
- 4 -DB0\*
- 5 +DB1\*
- 6 -DB1\*
- 7 +DB2\*
- 8 -DB2\*
- 9 +DB3\*
- 10 -DB3\*
- 11 +DB4\*
- 12 -DB4\*
- 13 +DB5\*
- 14 -DB5\*
- 15 +DB6\*
- 16 -DB6\*
- 17 +DB7\*
- 18 -DB7\*
- 19 +DBP\*
- 20 -DBP\*
- 21 DIFF SENSE\*
- 22 GND
- 23 GND
- 24 TEMPWR
- 25 TEMPWR
- 26 TEMPWR
- 27 GND
- 28 GND
- 29 +ATN\*
- 30 -ATN\*
- 31 GND
- 32 GND
- 33 +BSY\*
- 34 -BSY\*
- 35 +ACK\*
- 36 -ACK\*
- 37 +RST\*
- 38 -RST\*
- 39 +MSG\*
- 40 -MSG\*
- 41 +SEL\*
- 42 -SEL\*
- 43 +C/D\*
- 44 -C/D\*
- 45 +REQ\*
- 46 -REQ\*
- 47 +I/O\*
- 48 -I/O\*
- 49 GND
- 50 GND

\*NOTE: WHEN SCSI INTERFACE PCB IS CONFIGURED FOR SINGLE-ENDED OPERATION, THESE PINS ARE GROUNDED.

**CPU I/F**  
 82-02445-00

- 1 MASTER RESET
- 2 MASTER RUNNING
- 3 PS CTL 0
- 4 PS CTL 1
- 5 PS CTL 1
- 6 ALT. REG. SEL (PU)
- 7 N/C
- 8 PS STAT 5 (INT.AC FAIL)
- 9 PS STAT 4
- 10 PS STAT 3
- 11 PS STAT 2 (AUTO START)
- 12 PS STAT 1 (LOGIC VERY HOT)
- 13 PS STAT 0
- 14 CPU.AC.FAIL (EXT.AC.FAIL)
- 15 N/C
- 16 GND

**DISPLAY**  
 82-04337-00

- 1 GND LED -
- 2 LED +
- 3 AMB LED -
- 4 AMB LED +
- 5 K.S. COM
- 6 K.S. ON
- 7 K.S. RES
- 8 N/C
- 9 N/C
- 10 N/C
- 11 N/C

REV	DATE	BY	CHK'D	APP'D	REV
1					
REVISIONS					
<b>NOTE</b>					
WIRING DIAGRAM					
SYSTEM 800.FINAL ASSY					
UNLESS OTHERWISE SPECIFIED:		DIMENSIONS IN		DRAWING NO	
MATERIALS		TOLERANCE		WD-04738-XX	
		FRACTIONS		REV	
		DECIMALS		E	



**ARIX Corporation**

---

**DATE:** May 15, 1991

**MODEL 825 ASSY HT SNSR PWR SUP CC45 PART NUMBER 81-01064**

<b>PART NUMBER</b>	<b>DESCRIPTION</b>	<b>REF.</b>	<b>QUANTITY</b>
24-01056	SWITCH THERMAL SPST-NC 45DEG PI	1	1
30-01078	CONN COUPLER MALE #22-18	2	2

**DATE:** April 24, 1991

**MODEL 825 POWER SUPPLY ASSEMBLY PART NUMBER 81-02448**

<b>PART NUMBER</b>	<b>DESCRIPTION</b>	<b>REF.</b>	<b>QUANTITY</b>
04-00177	ADHESIVE THERMAL COMPOUND	0	.1
02-00889	TUBING SHRINK CLEAR 3/4 ID	1	.2
02-02740-01	BUSHING NYL .750ODX.625ID BLK	2	1
24-00347	FUSEHLDR PNL MNT W/TABS LO-PR	3	1
24-00348	FUSECARRIER SLTD 1-1/4X1/4 GR	4	1
24-00536	CKTBRKR 2CCT 15A	4	1
24-00589	FUSE 3AG SLO-BLO 2.0A	5	1
25-05756-00	PWR SUP SWTCHG 850W SPI (NEW)	7	1
27-01265	RELAY SOLID STATE 25A 250AC V	8	1
36-00154	NUT KEP 4-40	9	2
36-00498	SCR EXSEM PAN PH 6-32X1/4 ZI	10	14
36-00563	SCR EXSEM PAN PH 8-32X3/8 ZI	11	15
36-00568	WSHR FLT STL #8 3/8 1/32	12	8
36-00570	NUT KEP 6-32	13	4
36-00591	CABLETIE MINI 18LB NYL 4"	14	1
36-00636	SCR EXSEM PAN PH 6-32X3/4 ZI	15	3
36-01340	SCR FLT PH STL 4-40X3/8 ZI	16	2
36-01636	CLAMP CABLE NYLON 3/8WX3/8ID	17	5
51-02339-00	CHASSIS PWR SUP SYS800	18	1
51-02640-00	COV VOLT SELECT SYS800	19	1
51-02641-00	MNT LINE FLTR SYS800	20	1
51-02645-00	HOUSING AC SYS800	21	1
52-01244	LBL FUSE WARNING	22	1
52-01285	LBL CHASSIS GROUND	23	1
52-01301	LBL FUSE SYMBOL	24	1
52-02697-00	LBL CAUTION VOLT SELECT 800	25	1
80-02608-00-A	PCBASSY PRI COMP SYS800	26	1
81-01299	ASSY AC RECEPTACLE	27	1
81-01300	ASSY LINEFILTER	28	1
82-03177-00	ASSY JMPR #14-25 BRN 2.35"	29	1

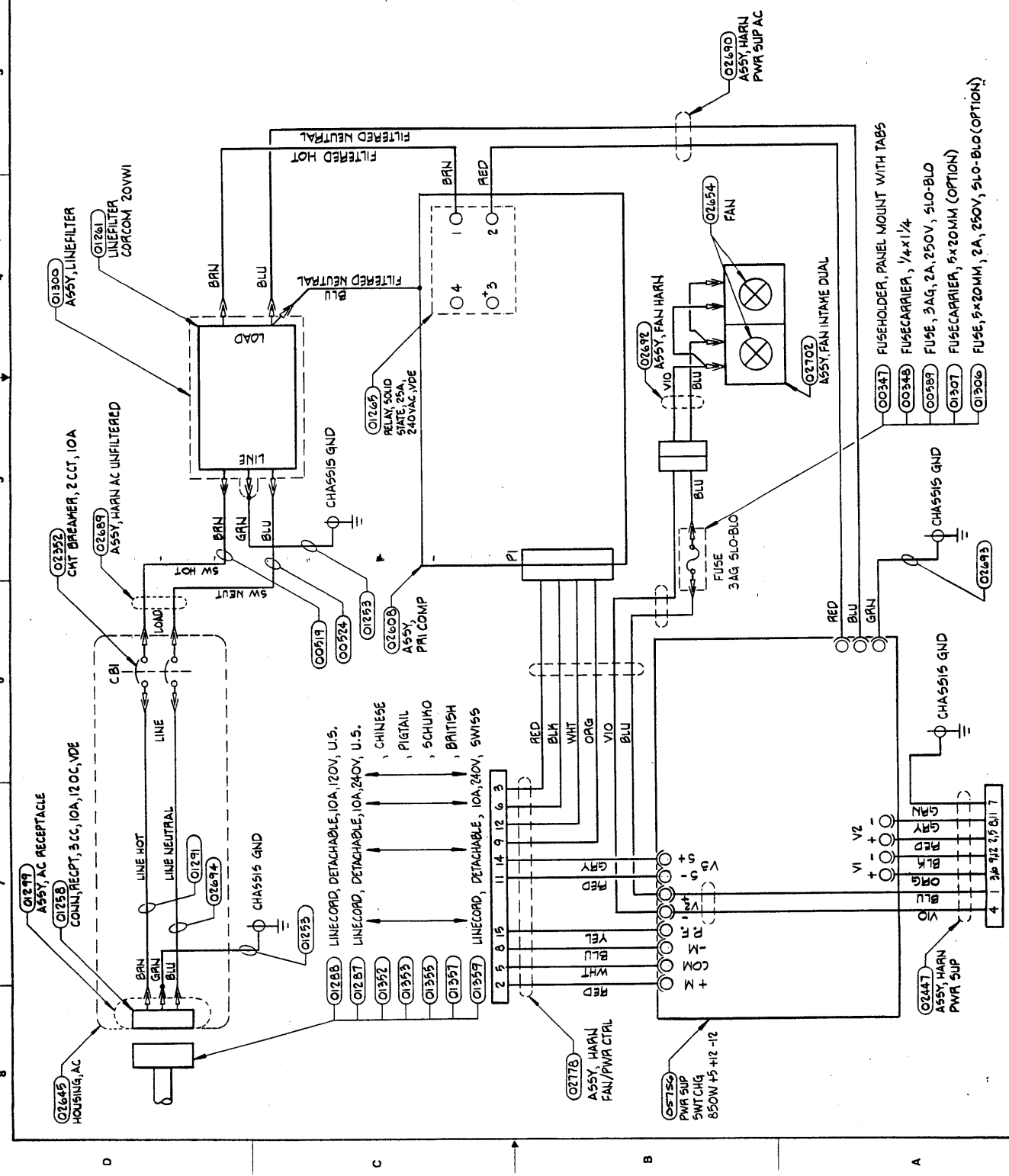
**DATE:** April 24, 1991

**MODEL 825 POWER SUPPLY ASSEMBLY PART NUMBER 81-02448**

<b>PART NUMBER</b>	<b>DESCRIPTION</b>	<b>ITEM</b>	<b>QUANTITY</b>
82-02447-00	ASSY HARN PWR SUP SYS800	30	1
82-02689-00	ASSY HARN AC UNFLTRD SYS800	31	1
82-02690-00	ASSY HARN PWR SUP AC 800	32	1
82-02693-00	ASSY JMPR PWR SUP GND SYS800	33	1
82-02694-00	ASSY JMPR 314 .25 BLU 3"	34	1
82-02695-00	ASSY JMPR 314 .25 BRN 3" RING	35	1
82-02778-00	ASSY HARN FAN/PWR CTRL SYS800	36	1
36-00516	SCR EXSEM PAN PH 8-32X1/4 ZI	37	4
52-01345	LBL 120/240 VAC WARNING	38	1
WD-02448-00	WIRE DIA ASSY PWR SUP SYS800	300	0

WD-02448-00		REV	DATE	APPROVED
C	PROD RELEASE ECO #1178	2/22/71	DA	
D	REVISED PER ECO #1444-A	11-30-87	LTD	

3 4 5 6 7 8



- NOTES: UNLESS OTHERWISE SPECIFIED
1. P/N NUMBERS/NAMES ARE SHOWN FOR REFERENCE ONLY & MAY NOT APPEAR ON PART BODIES. REFER TO INDIVIDUAL ASSY DWGS FOR EXACT PARTS ORIENTATIONS.
  2. CONNECTION TYPES ARE DENOTED BY THE FOLLOWING SYMBOLS:
    - QUICK DISCONNECT
    - RING TONGUE
    - SOLDER
    - SPADE LUG
  3. REFER TO: LM-02448 AD-02448

DR	A. Green	6-1-57	REV	1
CK	B. Green	7-2-57	REV	2
ME	D. Green	7-2-57	REV	3
EE			REV	4

UNLESS OTHERWISE SPECIFIED

MATERIALS FINISHES

SCALE: 1" = 1" SHT 1 OF 1

REV NO: WD-02448-00 12

ARETE  
WIRING DIAGRAM  
ASSEMBLY, POWER SUPPLY 800

**ARIX Corporation**

---

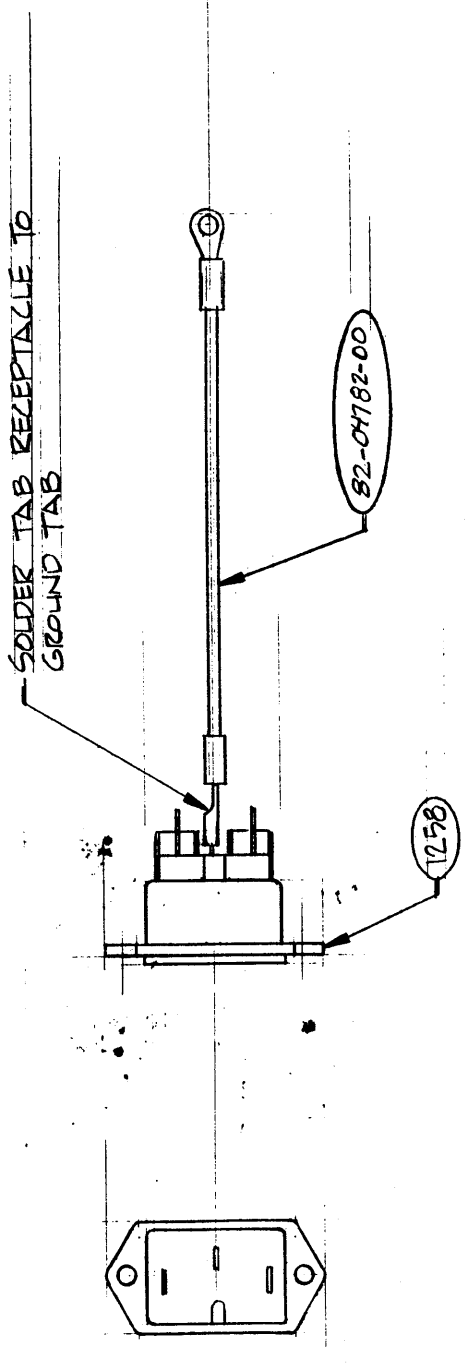
**DATE:** May 15, 1991

**MODEL 825 ASSY AC RECEPTACLE PART NUMBER 81-01299**

<b>PART NUMBER</b>	<b>DESCRIPTION</b>	<b>REF.</b>	<b>QUANTITY</b>
30-01258	CONN PWR RECP 120C 10A VDE	1	1
82-04782-00	ASSY JMPR GND PCM 4" PI	2	1
AD-01299	DWG ASSY AC RECEPTABLE	300	0

REVISIONS

REV	BY	DATE	DESCRIPTION	APPVD	DATE
A	REA	11 SEP 85	RELEASE PER ECO 0293	HA	10/23/85
B	AV	3-2-84	REVISED PER ECO # 1144	DA	3-11-84



NOTE ORIENTATION

NOTES: UNLESS OTHERWISE SPECIFIED:  
1. REFER TO LIST OF MATL - LM-01299

DR	MFOURAKER	30 JUL 85					
CK							
ME							
EE							
PE							
UNLESS OTHERWISE SPECIFIED: DIMENSIONS INCLUDE FINISHES REMOVE BURRS AND BREAK SHARP EDGES .015 MAX		NEXT ASSY		APPVD	DATE	PR/DCN	REV
MATERIALS		XENO MICROSYSTEMS 132 CHARCOT AVENUE SAN JOSE, CALIFORNIA 95131					
FINISHES		ASSY					
DIMENSIONS IN		SCALE NONE		DWG NO.		REV	
FT	IN	CM	MM			B	AD-01299
						SHT 1 OF 1	B

**DATE:** May 15, 1991

**MODEL 825 ASSY LINEFILTER PART NUMBER 81-01300**

<b>PART NUMBER</b>	<b>DESCRIPTION</b>	<b>REF.</b>	<b>QUANTITY</b>
17-01261	LINE FLTR VDE 20VW1 PI	1	1
82-01253	ASSY JMPR PCM GND PI	2	1

**DATE:** April 19, 1991

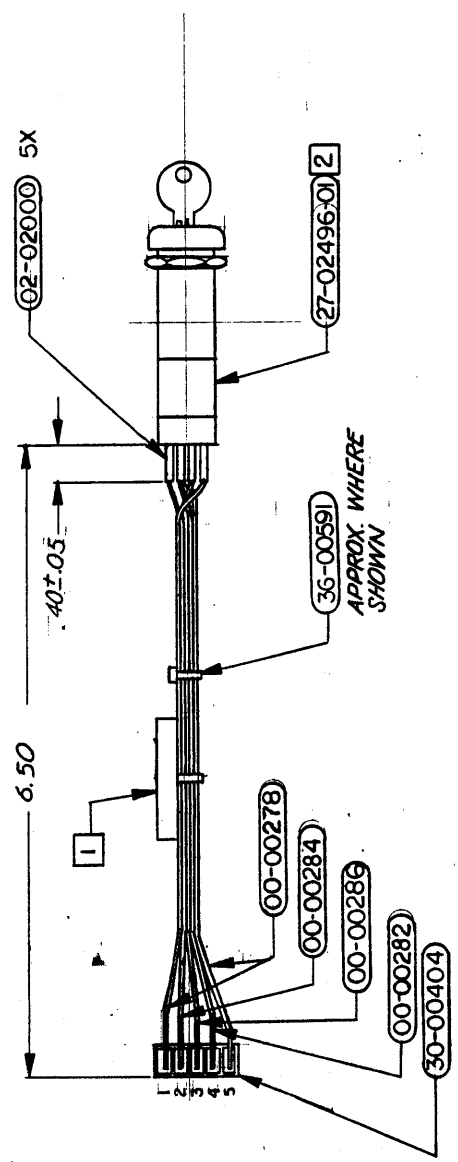
**MODEL 825 KEYSWITCH ASSEMBLY PART NUMBER 81-02450**

<b>PART NUMBER</b>	<b>DESCRIPTION</b>	<b>REF.</b>	<b>QUANTITY</b>
00-00278	WIRE #22 7/30 BLK (UL1061)	1	1
00-00286	WIRE #22 7/30 GRY (UL1061)	2	.5
00-00282	WIRE #22 7/30 YEL (UL1061)	3	.5
00-00284	WIRE #22 7/30 BLU (UL1061)	4	.5
30-00404	CONN RECP MTA 5C .156 #22 CE	5	1
27-02496-01	KEYSWITCH BLACK DP3T	6	1
36-00591	CABLETIE MINI 18LB NYL 4"	7	1
02-02000	TUBING SHRINK 3/16" BLK	8	.3
AD-02450-00	DWG ASSY KEYSWITCH SYS800	300	0
WD-02450-00	WIRE DIA KEYSWITCH SYS800	300	0

NOTE: Wire quantities are measured in feet.



REV	DESCRIPTION	DATE	APPROVED
A	PROD. RELEASE PER ECO #0800	7/2/87	[Signature]
B	REV. PER ECO #0875	10/2/87	[Signature]
C	REV PER ECO #0783	4-28-88	[Signature]



NOTES;  
 [1] PERMANENTLY MARK .125 MIN. HIGH, PART NO. (81-02450-00), REVISION LEVEL AND VENDOR NAME OR NO. APPROX. WHERE SHOWN.  
 [2] KEYSWITCH MFR; ILLINOIS LOCK COMPANY  
 301 WEST HINTZ ROAD  
 WHEELING, ILLINOIS 60090  
 MFR. PART NO. HD 3155-360 090-1516-13

DR	APPV	DATE	REV
DR RON PHILLIPS	3-30-87		
CK			
ME			
EE			
PE			

NEXT ASSY	APPV	DATE	REV

<b>ARETE</b>		81 FOLLOWS • SAN JOSE CA 95131	
ASSEMBLY			
KEYSWITCH, SYSTEM 800			
SCALE 1/101	DWG. NO. C AD-02450-00	SHT 1 OF 4	REV C

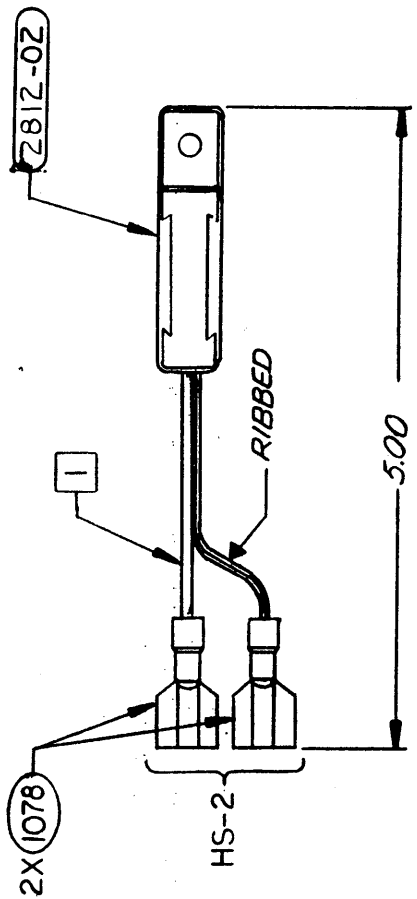
UNLESS OTHERWISE SPECIFIED:	
MATERIALS SEE BILL OF MATERIALS	FINISHES
DIMENSIONS IN	TOLERANCE
INCHES	±.05

**DATE:** April 19, 1991

**MODEL 825 HEAT SENSOR CC60 PART NUMBER 81-02917**

<b>PART NUMBER</b>	<b>DESCRIPTION</b>	<b>REF.</b>	<b>QUANTITY</b>
24-02812-02	SWITCH THERMAL SPST-NC 60DEG	1	1
30-01078	CONN COUPLER MALE #22-18	2	2

REV	BY	DATE	DESCRIPTION	APPVD.	DATE
A	CM	8-6-87	PROD. REL. PER ECD #05107A	DA	8-17-87



NOTES  
 1. TAG ASSY PIN & REVISION LETTER (P/N 81-02917-00) APPROXIMATELY WHERE SHOWN.

DR. R. PHILLIPS	1-11-85	APPVD.	DATE	PR/DCN	REV
CK [Signature]	1-13-85				
ME					
EE					
PE					
UNLESS OTHERWISE SPECIFIED: DIMENSIONS INCLUDE FINISHES DIMENSIONS INCLUDE SHARP EDGES AND RADIUS					
MATERIALS	FINISHES		TOLERANCE		
			±	±	±
SCALE 1:1			DWG NO. AD-02917-00		
SHT. 1 OF 1			REV A		

**XENO**  
 MICROSYSTEMS

123 CHARCOT AVENUE, SAN JOSE, CALIFORNIA 95128

ASSY, HEAT SENSOR  
 (CARD CAGE - 60°)

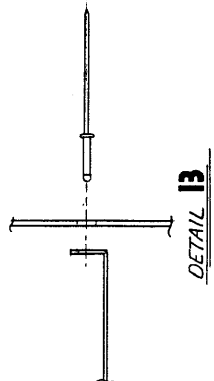
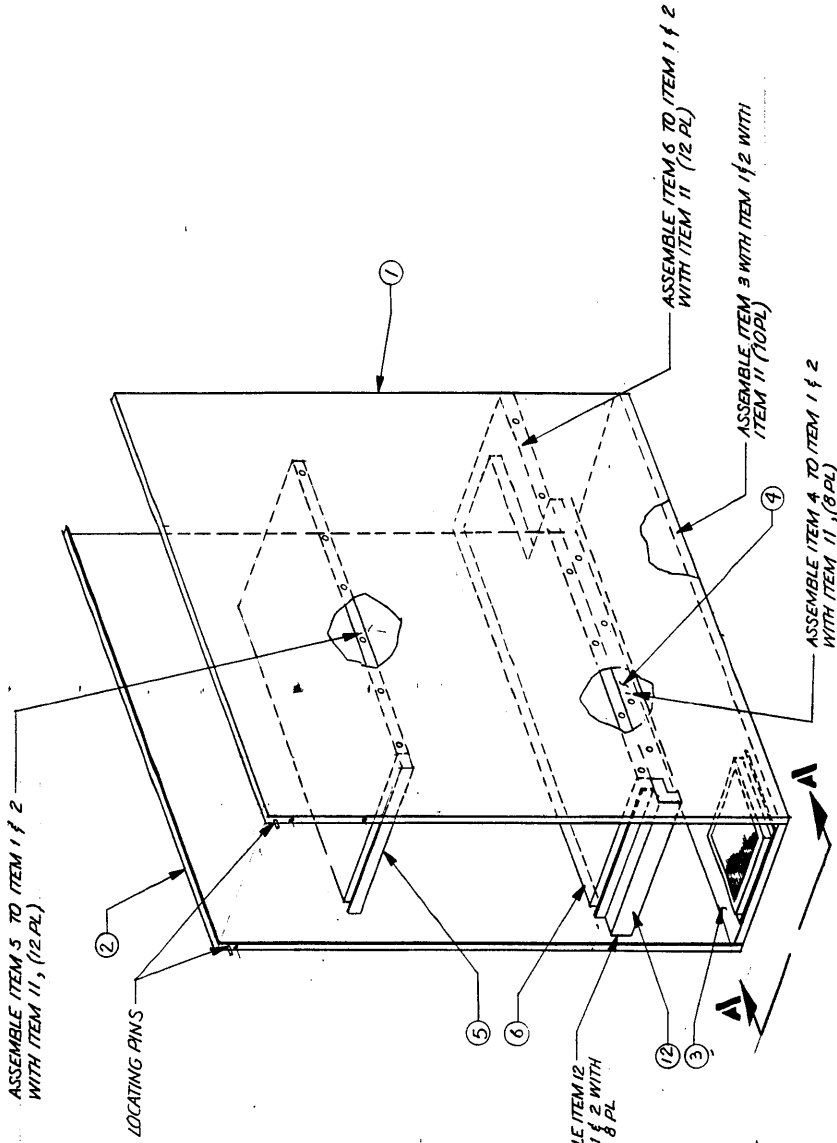
**DATE:** April 19, 1991

**MODEL 825 FRAME ASSEMBLY PART NUMBER 81-04303**

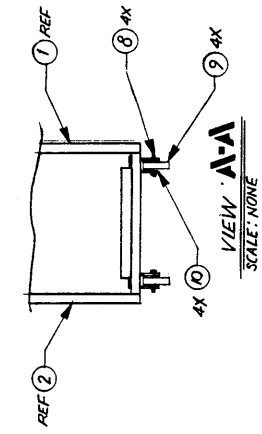
<b>PART NUMBER</b>	<b>DESCRIPTION</b>	<b>REF.</b>	<b>QUANTITY</b>
51-04309-02	PLT SIDE RT SYS800 W/HDWRE	1	1
51-04309-03	PLT SIDE LT SYS800 W/HDWRE	2	1
51-04308-01	PLT BASE SYS800 W/HDWRE	3	1
51-04307-00	PLENUM REAR END SYS 800	4	1
51-04310-00	PLT CARD GUIDE UPR SYS800	5	1
51-04311-00	PLT CARD GUIDE LWR SYS800	6	1
36-02647-01	FSTNR PIN CLEVS 5/16X1-5/8	8	4
44-02653-01	WHEEL POLYFN 1-5/8D 75LB BLK	9	4
36-02649-01	FSTNR PIN COTTR 5/32X3/4	10	4
36-04316-00	RIVET POP 5/32 .063-.125 ST	11	42
51-04662-00	PLENUM FRONT END SYS 800	12	1
36-02758-01	RIVET POP 1/8 .063-.125 AL CS	14	8
AD-04303-00	DWG ASSY FRAME SYS800	300	0

1. ASSEMBLE ITEM 3, 4, 5, 12 TO ITEM 1 & 2 WITH RIVETS, ITEM 11 (SEE DETAIL B)

B	B	REVISED PER ELD #1270	ASST. MGR.
C	C	REVISED PER ECO #1301	21M/B 10 BR/DL



**DETAIL B**



DR	RAY PHILLIPS 10-25-68	DATE	10-25-68	REV	
CHK		APPVD		PR. DCH	
ENG		DATE		REV	
DES		REVISIONS			
<p><b>ARETE</b></p> <p>ASSY, FRAME SYS 800</p>					
<p>UNLESS OTHERWISE SPECIFIED</p> <p>MATERIALS FINISHES SEE 5/A1</p>					
<p>DIMENSIONS IN TOLERANCE</p> <p>SCALE NONE</p> <p>SHT 1 OF 1</p>					
<p>SIZE DWG NO D AD-04-303-001</p>					

1 2 3 4 5 6 7 8 9 10 11 12

**DATE:** April 24, 1991

**MODEL 825 5" FAN INTAKE PART NUMBER 81-04376**

<b>PART NUMBER</b>	<b>DESCRIPTION</b>	<b>REF.</b>	<b>QUANTITY</b>
27-03905-00	FAN 12V 130CFM 5" SQ BBRG TB	2	1
51-04306-00	MNT FAN 5" SYS800	3	1
44-03901-00	FINGERGWARD FOR 5"SQ FAN	4	1
36-00636	SCR EXSEM PAN PH 6-32X3/4 ZI	5	8
36-00570	NUT KEP 6-32	6	8

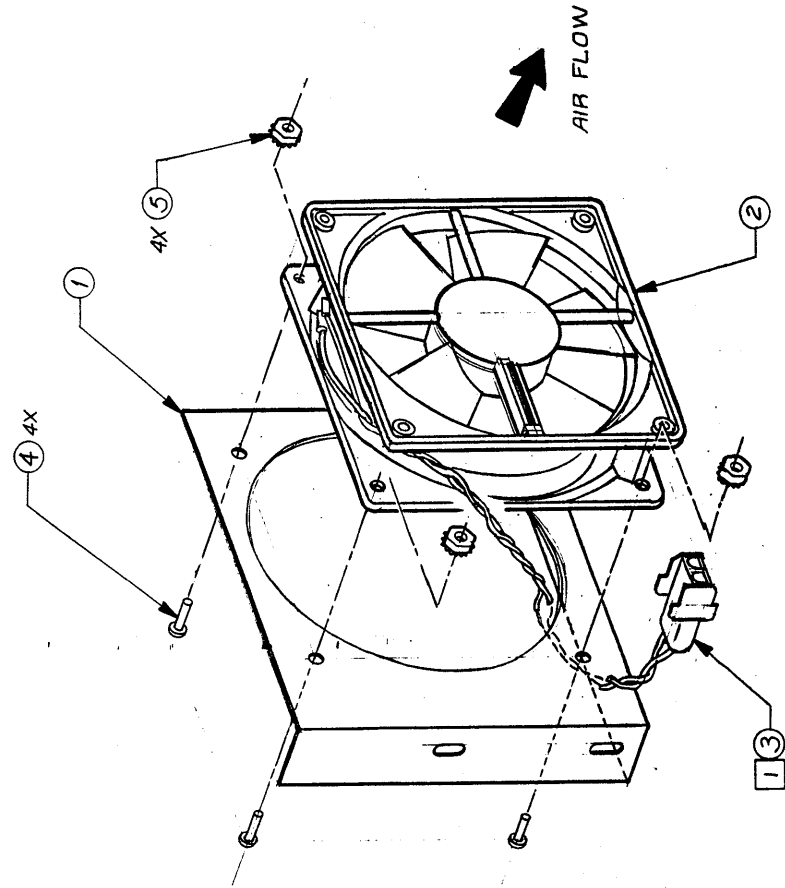
**DATE:** April 19, 1991

**MODEL 825 FAN ASSEMBLY SCSI DRIVE HOR. PART NUMBER 81-04759**

<b>PART NUMBER</b>	<b>DESCRIPTION</b>	<b>REF.</b>	<b>QUANTITY</b>
51-04368-00	BRKT D/D FAN SYS 800	1	1
27-04427-00	FAN 12V 100CFM 4.69SQ BBRG TB	2	1
82-04758-00	ASSY CBL ADAP 4 1/2IN FAN S80	3	1
36-00636	SCR EXSEM PAN PH 6-32X3/4 ZI	4	4
36-00570	NUT KEP 6-32	5	4
AD-04759-00	DWG ASSY FAN SCSI DRIVE HOR M	300	0

DWG. NO. 81-04759-00

REV	DESCRIPTION	DATE	APPROVED
02	ADDED NOTE 1	10-28-88	TOP
03	UPDATE PER PCD #257	12-16-88	TOP
A	PROD REL PER ECD # 1074	4-10-89	TR



DR	APPD	DATE	PR/DCN	REV
DR. RAY PHILLIPS	10-27-88			
CK				
ME				
EE				
PE				

UNLESS OTHERWISE SPECIFIED:  
 FINISHES: SEE LIST  
 DIMENSIONS IN: INCHES  
 TOLERANCE: ±.005  
 SCALE: AS SHOWN  
 DWG. NO. 81-04759-00  
 REV. A

NOTES: UNLESS OTHERWISE SPECIFIED.  
 1. CONNECT BLUE WIRE TO THE NEGATIVE TERMINAL.  
 CONNECT VIOLET WIRE TO THE POSITIVE TERMINAL.

1  
2  
3  
4



**DATE:** April 22, 1991

**MODEL 850 ASSEMBLY TOP PART NUMBER 99-04425**

<b>PART NUMBER</b>	<b>DESCRIPTION</b>	<b>REF.</b>	<b>QUANTITY</b>
80-01000-00	PCBASSY DT/INT DUAL PRT	0	1
80-01181-02-C	PCBASSY DMC4	0	1
80-01676-02	PCBASSY EDT/IOCP FINAL	0	1
80-02204-02-D	PCBASSY CPU32 25MHZ FINAL	0	1
80-02735-02-A	PCBASSY MEMORY 8MB FINAL	0	1
80-02735-02-B	PCBASSY MEMORY 8MB FINAL	0	0
88-02152	KIT ASSY PCB GC/PARA PORT SHP	0	1
88-02581-00	KIT ASSY PCB GC/PARA PORT 2-4	0	1
88-02798-00	KIT MNL GDE SITE PLN/INSTL PI	0	1
88-03550-13	KIT TAPE DR 150MB LT CHAR PI	0	1
88-03660-11	KIT DD 337MB 12/1600 1ST	0	1
88-04494-00	KIT GC16/SYNC-ASYNC IF	0	2
94-00969-08	ASSY FNL MAXI CHAR ARIX	0	1

**DATE:** April 23, 1991

**MODEL 850 KIT ASSEMBLY GC/PARA PORT PART NUMBER 88-02152**

<b>PART NUMBER</b>	<b>DESCRIPTION</b>	<b>REF.</b>	<b>QUANTITY</b>
80-00990	PCBASSY GC/PARALLEL PORT	1	1
82-00814-02	ASSY CBL GC PARA PORT 6.5'	2	1
30-00767	CLAMP CBL FLT	3	6
36-06824-00	SCR EXSEM PAN PH 4-40X3/8 ZI	4	3
36-00591	CABLETIE MINI 18LB NYL 4"	5	6
36-00598	CABLEMNT NYL SQ 1"	6	6
36-00153	SCR EXSEM PAN PH 6-32X3/8 ZI	7	2
36-00567	WSHR FLT STL #6 3/8 1/32	8	2

**DATE:** April 22, 1991

**MODEL 850 KIT ASSY GC/PARA PORT 88-02581**

<b>PART NUMBER</b>	<b>DESCRIPTION</b>	<b>REF.</b>	<b>QUANTITY</b>
30-00767	CLAMP CBL FLT	1	6
36-00591	CABLETIE MINI 18LB NYL 4"	2	6
36-00598	CABLEMNT NYL SQ 1"	3	6
82-00814-02	ASSY CBL GC PARA PORT 6.5'	4	1

**Δ RIX Corporation**

---

**DATE:** April 22, 1991

**MODEL 850 KIT MNL GDE SITE PLN/INSTL 88-02798**

<b>PART NUMBER</b>	<b>DESCRIPTION</b>	<b>REF.</b>	<b>QUANTITY</b>
DO-99255-16	MNL SITE PLN/INSTL/MAINT A1000	0	1

**DATE:** April 22, 1991

**MODEL 850 KIT TAPE DRIVE 150MB LT CHAR 88-03550**

<b>PART NUMBER</b>	<b>DESCRIPTION</b>	<b>REF.</b>	<b>QUANTITY</b>
28-04260-03	DR TAPE YEL 150MB LT CHAR ARC	0	1
36-00567	WSHR FLT STL #6 3/8 1/32	0	4
36-01915	SCR SEM SQCON PH 6-32X3/8 ZI	0	4

**DATE:** April 22, 1991

**MODEL 850 ASSY DSK DR 337MB MOD PART NUMBER 81-01106**

<b>PART NUMBER</b>	<b>DESCRIPTION</b>	<b>REF.</b>	<b>QUANTITY</b>
03-01229	TAPE TEF 1/2" EXTRD 5MIL BACK	1	.1
27-00508	FAN FINGERGUARD 4.12X4.12 UL	2	1
81-05428-00	ASSY LBL FUJITSU 337MB 8" D/D	3	1
36-00562	SCR EXSEM PAN PH 6-32X1/2 ZI	5	1
36-00567	WSHR FLT STL #6 3/8 1/32	6	1
36-00466	SCR PAN PH STL M4X10MM ZI	7	4
36-00467	SCR PAN PH STL M4X16MM ZI	8	2
36-00469	BUSHING SHOCK MNT RUB FUJI	9	4
36-01136	WSHR SPLTLCK STL #8	10	8
36-01390	SCR PAN PH STL M4X20MM ZI	11	2
42-00468	STOPPER VIBRATION FUJI	12	4
51-01065	PLT MNT HEAT SENSOR	13	1
81-01928	ASSY HT SNSR FAN DSK DR	14	1
82-00691	ASSY CBL DSK GND	15	1
AD-01106-XX	DWG ASSY DSK DR 337MB MOD	300	0



**DATE:** April 22, 1991

**MODEL 850 ASSY LBL FUJITSU 337 MB 8" D/D PART NUMBER 81-05428**

<b>PART NUMBER</b>	<b>DESCRIPTION</b>	<b>REF.</b>	<b>QUANTITY</b>
52-05016-00	LBL DSK CONF 337MB 8" FUJI	1	1
28-01763	DRIVE DISK 337MB W/FAN M2333	2	1
AD-05428-00	DWG ASSY CONFIG LBL 337MB D/D	300	0

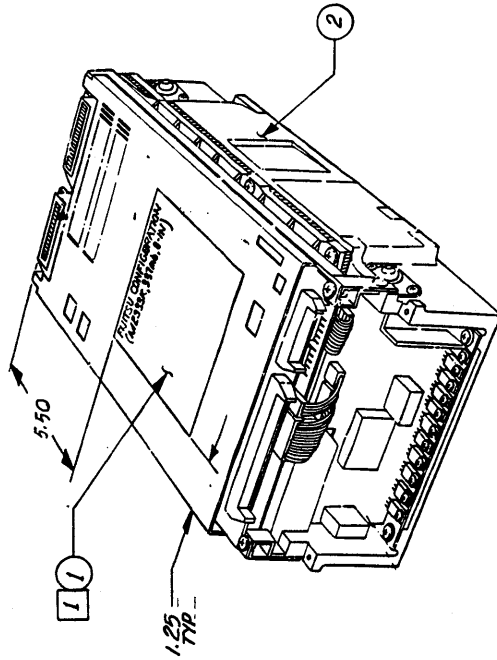


**DWG CONFIG. LABEL TO FUJITSU 337MB 8-IN DD**

81-05428-00 1 A

PROD. RELEASE PER COMISS 11.69 172

81-05428 00



NOTES:  
1. FUJITSU CONFIGURATION LABEL SHOULD NOT COVER OR OBSTRUCT VENTILATION HOLES.

DATE	5-7-89	BY	ARIX
DESCRIPTION	DWG CONFIG. LABEL TO FUJITSU 337MB 8-IN DISK DRIVE		
REVISIONS	ARIX		
UNLESS OTHERWISE SPECIFIED:	5-8-89		
MATERIALS	SEE DIM		
FINISHES			
DIMENSIONS IN	TOLERANCE	SCALE	REV
			11-05428-00 1 A

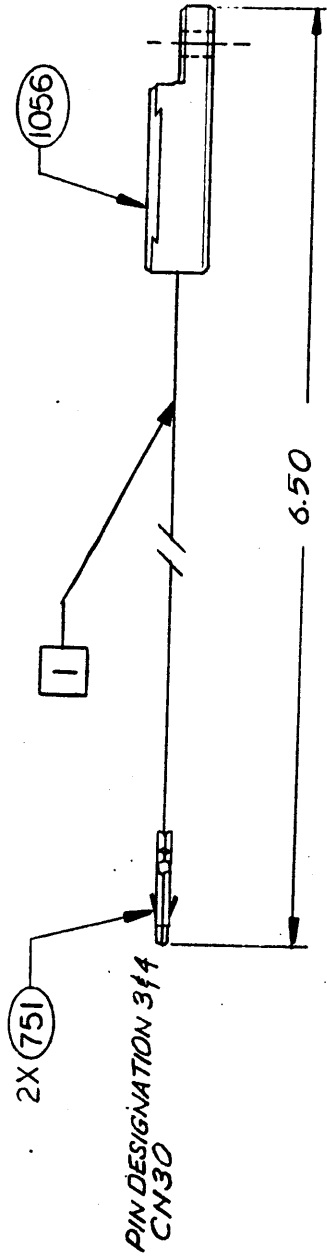
**DATE:** April 22, 1991

**MODEL 850 ASSY HT SNSR FAN DSK DR PART NUMBER 81-01928**

<b>PART NUMBER</b>	<b>DESCRIPTION</b>	<b>REF.</b>	<b>QUANTITY</b>
24-01056	SWITCH THERMAL SPST-NC 45DEG	1	1
30-00751	CONN CONT MT&LCK M #24-18 .04	2	2
AD-01928-XX	DWG ASSY HT SNSR FAN DSK DR	300	0

DWG NO. AD-01928-XX | SHT 1 | REV C

REV	BY	DATE	DESCRIPTION	APVD	DATE
A	RP	25 APR 86	PRODUCTION RELEASE PER ECO 0455	NS	5-16-86
B	DR	1 AUG 86	REVISED PER ECO 0554	J.	8-4-86
C	AV	7-18-88	DOE CHANGE PER ECO 0744 ADDING -XX	JJA	3-18-87
			REVISED PER ECO 1000	DK	7-16-88



NOTES:

1. TAG ASSY A/N (81-01928), REV LEVEL AND VENDOR I.D. WITHIN 1.00" FROM SENSOR BODY.

DR	PHILLIPS	1-11-85	REVISIONS	PR/DCN	REV
CK					
ME					
EE					
PE					

UNLESS OTHERWISE SPECIFIED:  
DIMENSIONS INCLUDE FINISHES  
REMOVE BURRS AND GREAT SHARP EDGES 015 MAX

MATERIALS \_\_\_\_\_ FINISHES \_\_\_\_\_

**XENO**  
MICROSYSTEMS  
122 CHARCOT AVENUE SAN JOSE CALIFORNIA 95131

HARNNESS, FAN/HEAT SENSOR  
(DISK DRIVE)

**DATE:** April 23, 1991

**MODEL 850 KIT DSK DR MNT MAXI 1/3 PART NUMBER 88-01589**

<b>PART NUMBER</b>	<b>DESCRIPTION</b>	<b>REF.</b>	<b>QUANTITY</b>
36-00466	SCR PAN PH STL M4X10MM ZI	1	4
36-00563	SCR EXSEM PAN PH 8-32X3/8 ZI	2	21
36-00565	SCR EXSEM PAN PH 10-32X3/8 ZI	3	8
36-00568	WSHR FLT STL #8 3/8 1/32	4	8
36-00569	WSHR FLT STL #10 7/16 .06	5	4
36-01136	WSHR SPLTLCK STL #8	6	4
51-00470-00	RAIL SUPT DSK DR RT PI	7	1
51-00470-01	RAIL SUPT DSK DR LT PI	8	1
51-00688-00	BRKT DSK MNT MAXI RT PI	9	1
51-00688-01	BRKT DSK MNT MAXI LT PI	10	1
51-00690	PLT DSK DR FR MAXI PI	11	1
51-01052-00	BRKT DSK MNT MAXI INNER OPSIT PI	12	1
51-01053	PLT DSK DR RR MAXI PI	13	1
04-01137	ADHESIVE LOCTITE SEALANT 242	14	1

**DATE:** April 23, 1991

**MODEL 850 KIT BBLs DSK DR 1ST PART NUMBER 88-03839**

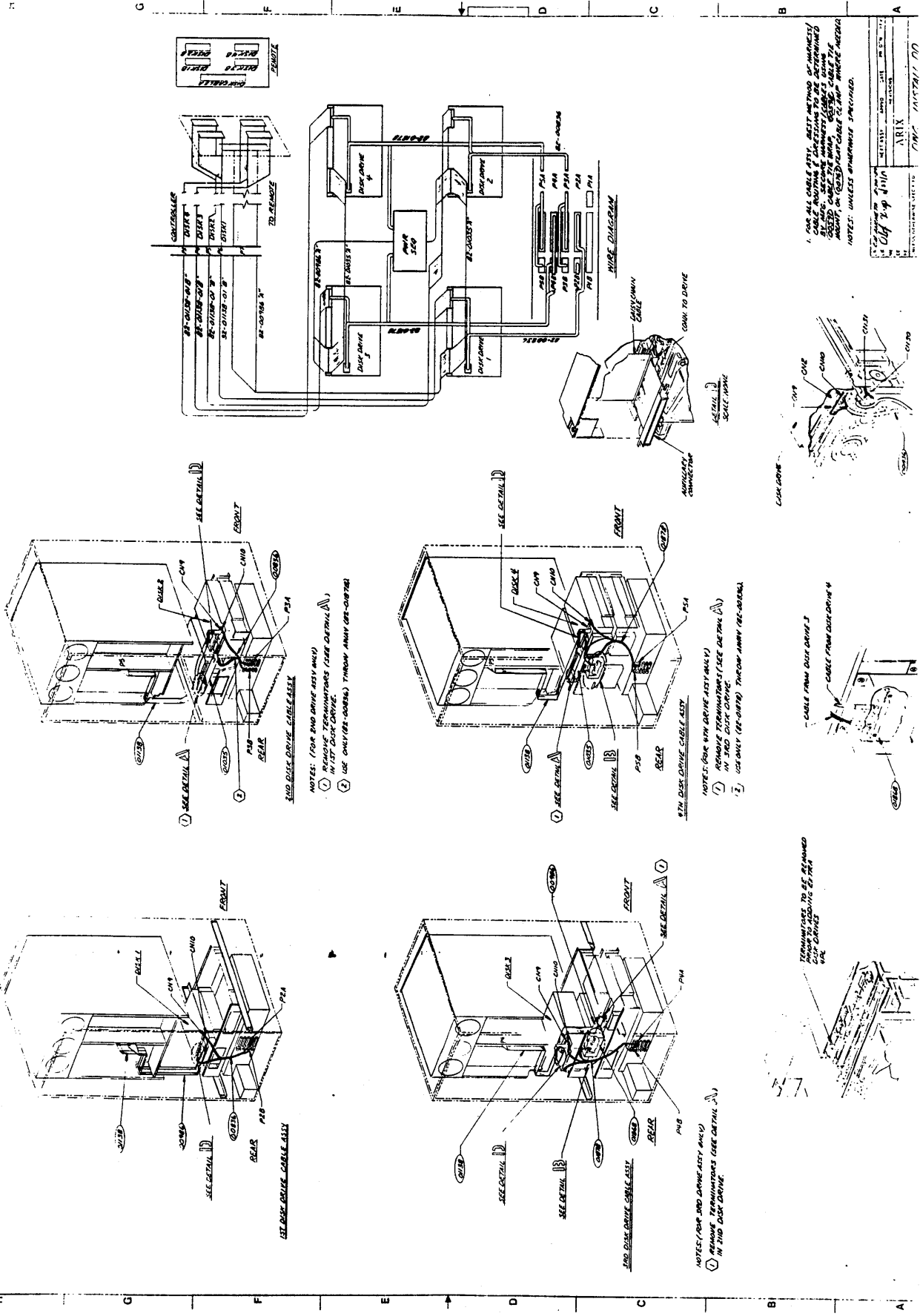
<b>PART NUMBER</b>	<b>DESCRIPTION</b>	<b>REF.</b>	<b>QUANTITY</b>
30-00767	CLAMP CBL FLT	0	6
36-00591	CABLETIE MINI 18LB NYL 4"	0	6
36-00598	CABLEMNT NYL SQ 1"	0	6
82-00836	ASSY HARN PWR DSK PI	0	1
82-00986	ASSY CBL DSK LOG A1 PI	0	1
82-01138-01	ASSY CBL DSK LOG B MAXI PI	0	1

**DATE:** April 22, 1991

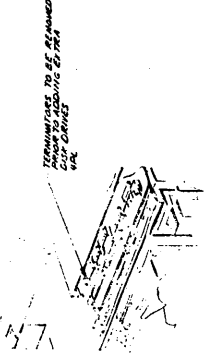
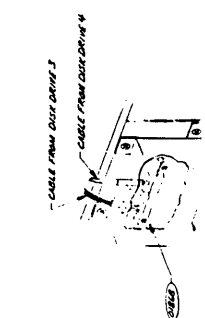
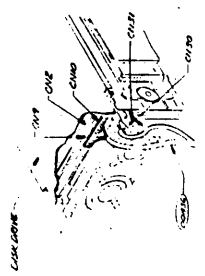
**MODEL 850 KIT DD 337 MB PART NUMBER 88-03660**

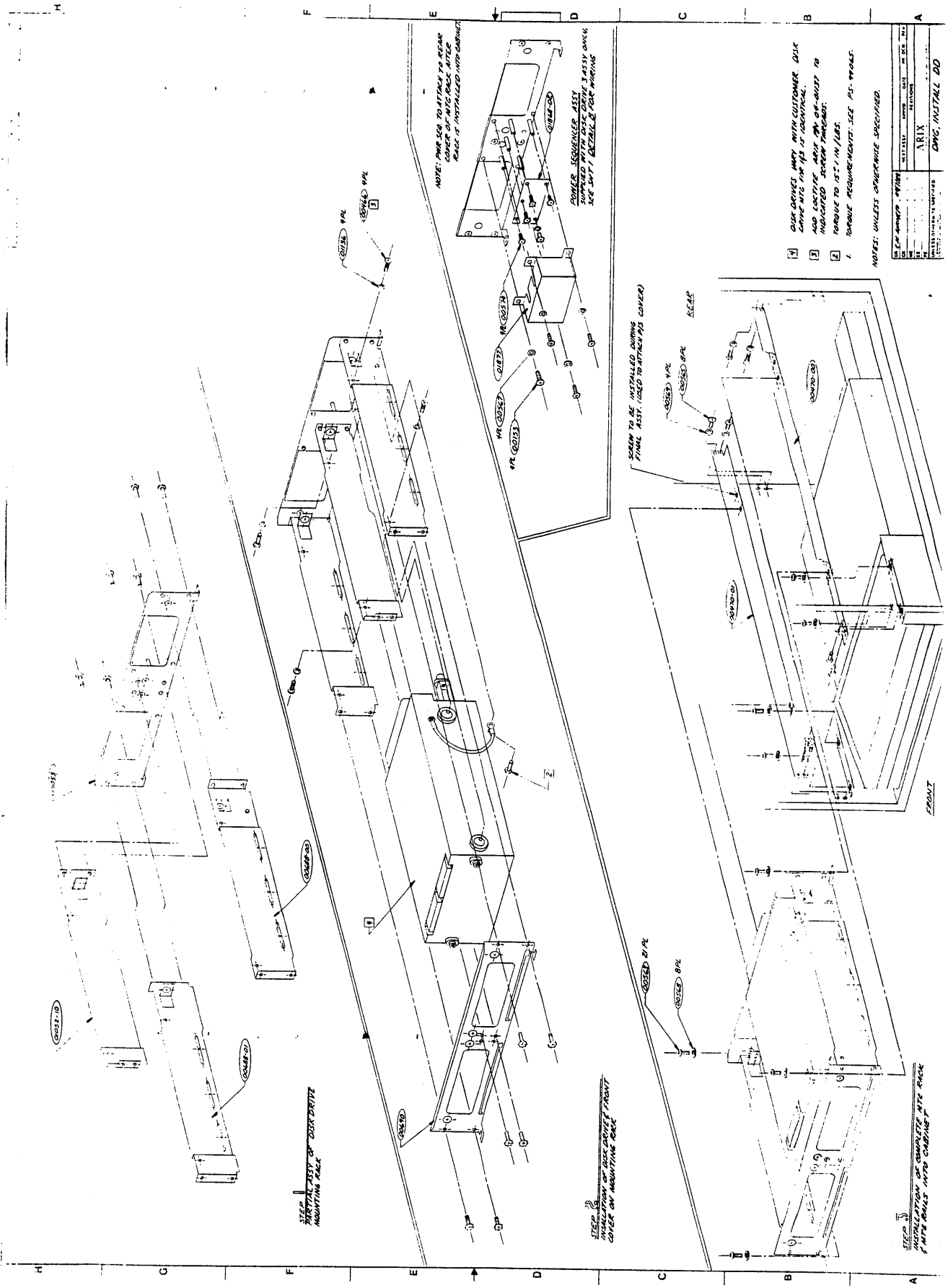
<b>PART NUMBER</b>	<b>DESCRIPTION</b>	<b>REF.</b>	<b>QUANTITY</b>
81-01106-02	ASSY DSK DR 337MB MOD	1	1
88-01589	KIT DSK DR MNT MAXI 1/3	2	1
88-03839-00	KIT CBLs DSK DR 1ST	3	1
IK-03660-XX	DWG INSTL KIT DSK DR A1000	300	1

1. FOR ALL CABLE STRIP, CRIMP METHODS, OR WIRELESS CABLE ROUTING, REFER TO THE DRAWING FOR THE SPECIFIC METHOD TO BE USED. ALL CABLES MUST BE PROTECTED BY A CONDUIT OR CABLE TRAY. ALL CABLES MUST BE IDENTIFIED BY A LABEL AT EACH END. ALL CABLES MUST BE IDENTIFIED BY A LABEL AT EACH END. ALL CABLES MUST BE IDENTIFIED BY A LABEL AT EACH END.



DATE	REV	BY	CHKD
10/11/00	1	ARIX	ARIX





STEP 1  
PARTIAL ASSY OF DRIVE UNIT  
MOUNTING RACK

STEP 2  
INSTALLATION OF COMPLETE NITE RACK  
COVER ON MOUNTING RACK

STEP 3  
INSTALLATION OF COMPLETE NITE RACK  
PARTS INTO CABINET

NOTE: THIS IS TO BE INSTALLED TO REAR  
CORNER OF NITE RACK. NITE  
RACK IS INSTALLED INTO CABINET.

POWER SEQUENCE ASSY  
SUPPLIED WITH DRIVE UNIT. THIS ONLY  
SEE PART 1 REQUIREMENTS FOR WIRING.

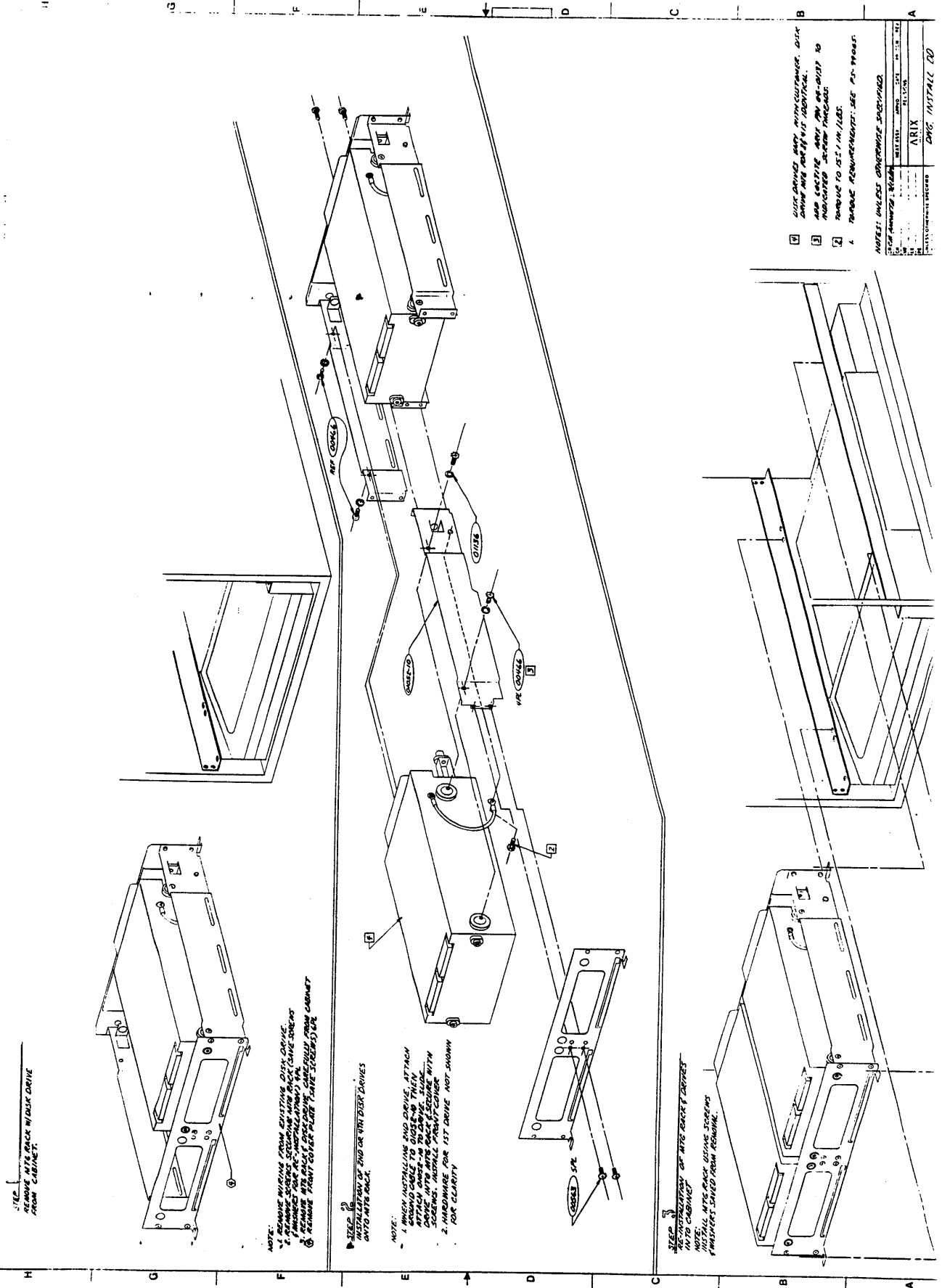
- 1. TORQUE REQUIREMENTS: SEE PT. 1000.
- 2. TORQUE TO 65 IN/LBS.
- 3. TORQUE TO 100 IN/LBS.
- 4. TORQUE TO 150 IN/LBS.

NOTES: UNLESS OTHERWISE SPECIFIED.

REV	DATE	BY	CHKD	DESCRIPTION
1				ISSUED FOR FABRICATION
2				ISSUED FOR WIRING
3				ISSUED FOR ASSEMBLY
4				ISSUED FOR TESTING
5				ISSUED FOR SHIPMENT
6				ISSUED FOR REVISION
7				ISSUED FOR REVISION
8				ISSUED FOR REVISION
9				ISSUED FOR REVISION
10				ISSUED FOR REVISION
11				ISSUED FOR REVISION
12				ISSUED FOR REVISION
13				ISSUED FOR REVISION
14				ISSUED FOR REVISION
15				ISSUED FOR REVISION
16				ISSUED FOR REVISION
17				ISSUED FOR REVISION
18				ISSUED FOR REVISION
19				ISSUED FOR REVISION
20				ISSUED FOR REVISION
21				ISSUED FOR REVISION
22				ISSUED FOR REVISION
23				ISSUED FOR REVISION
24				ISSUED FOR REVISION
25				ISSUED FOR REVISION
26				ISSUED FOR REVISION
27				ISSUED FOR REVISION
28				ISSUED FOR REVISION
29				ISSUED FOR REVISION
30				ISSUED FOR REVISION
31				ISSUED FOR REVISION
32				ISSUED FOR REVISION
33				ISSUED FOR REVISION
34				ISSUED FOR REVISION
35				ISSUED FOR REVISION
36				ISSUED FOR REVISION
37				ISSUED FOR REVISION
38				ISSUED FOR REVISION
39				ISSUED FOR REVISION
40				ISSUED FOR REVISION
41				ISSUED FOR REVISION
42				ISSUED FOR REVISION
43				ISSUED FOR REVISION
44				ISSUED FOR REVISION
45				ISSUED FOR REVISION
46				ISSUED FOR REVISION
47				ISSUED FOR REVISION
48				ISSUED FOR REVISION
49				ISSUED FOR REVISION
50				ISSUED FOR REVISION
51				ISSUED FOR REVISION
52				ISSUED FOR REVISION
53				ISSUED FOR REVISION
54				ISSUED FOR REVISION
55				ISSUED FOR REVISION
56				ISSUED FOR REVISION
57				ISSUED FOR REVISION
58				ISSUED FOR REVISION
59				ISSUED FOR REVISION
60				ISSUED FOR REVISION
61				ISSUED FOR REVISION
62				ISSUED FOR REVISION
63				ISSUED FOR REVISION
64				ISSUED FOR REVISION
65				ISSUED FOR REVISION
66				ISSUED FOR REVISION
67				ISSUED FOR REVISION
68				ISSUED FOR REVISION
69				ISSUED FOR REVISION
70				ISSUED FOR REVISION
71				ISSUED FOR REVISION
72				ISSUED FOR REVISION
73				ISSUED FOR REVISION
74				ISSUED FOR REVISION
75				ISSUED FOR REVISION
76				ISSUED FOR REVISION
77				ISSUED FOR REVISION
78				ISSUED FOR REVISION
79				ISSUED FOR REVISION
80				ISSUED FOR REVISION
81				ISSUED FOR REVISION
82				ISSUED FOR REVISION
83				ISSUED FOR REVISION
84				ISSUED FOR REVISION
85				ISSUED FOR REVISION
86				ISSUED FOR REVISION
87				ISSUED FOR REVISION
88				ISSUED FOR REVISION
89				ISSUED FOR REVISION
90				ISSUED FOR REVISION
91				ISSUED FOR REVISION
92				ISSUED FOR REVISION
93				ISSUED FOR REVISION
94				ISSUED FOR REVISION
95				ISSUED FOR REVISION
96				ISSUED FOR REVISION
97				ISSUED FOR REVISION
98				ISSUED FOR REVISION
99				ISSUED FOR REVISION
100				ISSUED FOR REVISION

DWG. INSTALL DD





STEP 1  
 REMOVE MTG RACK WITH DISK DRIVE FROM CABINET

NOTE:  
 1. REMOVE DRIVES FROM EXISTING CABLE CONSOLE.  
 2. REMOVE EXISTING SECURITY WITH BACK DRIVE CONSOLE.  
 3. REMOVE THE AC INSTALLATION'S W/AL.  
 4. REMOVE FRONT COVER PLATE (SEE STEP 2) FROM CABINET.

STEP 2  
 INSTALL RACK OF TWO OR THREE DRIVES ONTO MTG RACK.

NOTE:  
 1. WHEN INSTALLING END DRIVE, ATTACH BRASS GROUND TO DISK DRIVE THEN DRIVE INTO MTG RACK. SECURE WITH SCREWS. INSTALL FRONT COVER FOR 1ST DRIVE NOT SHOWN FOR CLARITY.

STEP 3  
 RE-INSTALLATION OF MTG RACK TO CABINET  
 NOTE:  
 1. INSTALL MTG RACK USING SCREWS FINISHED SAID FROM REMOVAL.

- 1. OUR DRAWING MAY VARY FROM THE ACTUAL. DISK DRIVE AND CABLE CONSOLE IDENTICAL.
- 2. DISK DRIVE MUST BE MFG. NO. 10111 TO MOUNT ON THIS RACK.
- 3. TORQUE TO 15-17 IN./LBS.
- 4. TORQUE REQUIREMENT: SEE P. 119041.

NOTE: UNLESS OTHERWISE SPECIFIED

DESIGNED BY	ARIX
DRAWN BY	ARIX
CHECKED BY	ARIX
DATE	11/15/77
SCALE	AS SHOWN
DRAWING NO. 1K-D7660-XX B	
DWG. INSTALL 00	

**DATE:** April 22, 1991

**MODEL 850 KIT GC16/SYNC-ASYNC IF PART NUMBER 88-04494**

<b>PART NUMBER</b>	<b>SDESCRIPTION</b>	<b>REF.</b>	<b>QUANTITY</b>
80-02206-02-A	PCBASSY GC16 1MB FINAL	0	1
80-02208-02-D	PCBASSY RS232 14AS/2S/1P 4X18	0	1
88-04302-00	KIT TERM GC16 14AS/2S	0	1

**DATE:** April 22, 1991

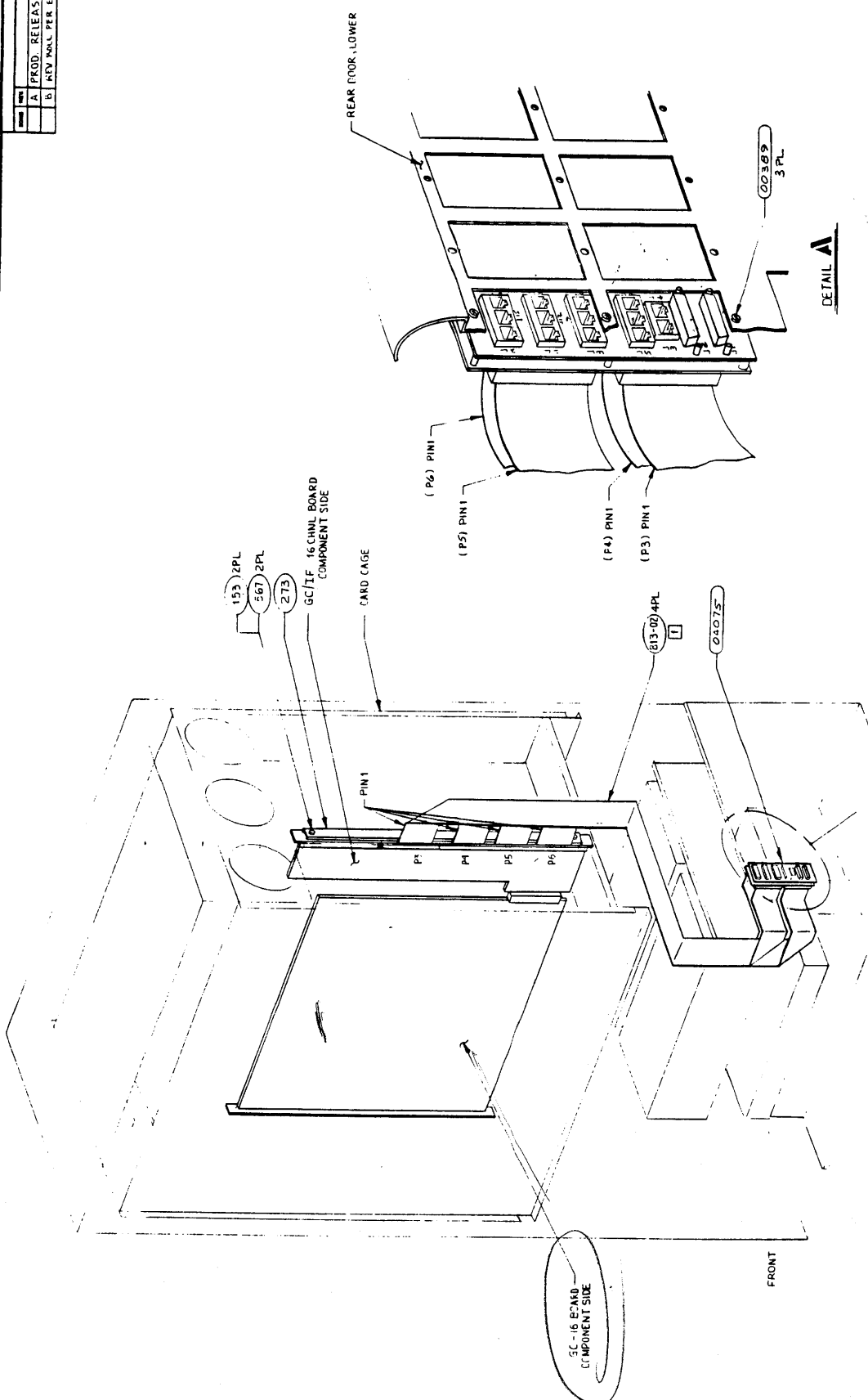
**MODEL 850 KIT TERM GC16 14AS/2S PART NUMBER 88-04302**

<b>PART NUMBER</b>	<b>DESCRIPTION</b>	<b>REF.</b>	<b>QUANTITY</b>
30-00767	CLAMP CBL FLT	0	6
36-00153	SCR EXSEM PAN PH 6-32X3/8 ZI	0	2
36-00389	SCR EXSEM PAN PH 4-40X3/16 ZI	0	3
36-00567	WSHR FLT STL #6 3/8 1/32	0	2
36-00591	CABLETIE MINI 18LB NYL 4"	0	6
36-00598	CABLEMNT NYL SQ 1"	0	6
51-00273	CLAMP CBL DT/9T INTRF	0	1
80-04075-00-A	PCBASSY I/O CONN BD 14AS/2S	0	1
82-00813-02	ASSY CBL GC INTFC 50C 78"	0	4
AD-04302-00	DWG ASSY KIT GC16 14AS/2S	0	0
IP-04302-00	PROC INSTL GC16 RJ-12/DB-25	0	1



AD-04302-00	1	B
REV	DATE	BY
A	PROD. RELEASE PFR EGO #1049	08/88
B	REV PNL PER EGO #151	11/16/88
		DW

1 3 4 5 6 7



REAR — SEE DETAIL A

NOTE:
 

- 1 SELECT METHOD OF CABLE ROUTING & DRESSING TO BE DETERMINED BY MFG.
- 2 SECURE CABLES WITH CABLE TIE (3) CABLE TIE MOUNT (3) OR FLAT CABLE CLAMP (3) WHERE NEEDED.

DR C. HURDT/DAVE	6-9-88	APPRO	DATE	REV/DCN	REV
CK					
ME					
EE					
PE					
UNLESS OTHERWISE SPECIFIED:					
DIMENSIONS ARE IN INCHES UNLESS OTHERWISE SPECIFIED					
MATERIALS FINISHES					

ARETE

KIT GC-16-

DATE: April 23, 1991

MODEL 850 FINAL ASSY MAXI CHAR ARIX PART NUMBER 94-00969

PART NUMBER	DESCRIPTION	REF.	QUANTITY
02-00531	STRIP GROMMET .071THK	0	1
02-00740	STRIP GROMMET .105THK	0	1.5
03-01160	TAPE FOAM 1/4X1/2 VYNL BLK	0	5.5
04-01252	ADHESIVE LOCTITE WHT MAX	0	.1
30-00767	CLAMP CBL FLT	0	4
30-00776	CONN KIT MTG D FEM SCRLCK 4-4	0	2
30-00777	CONN COV D 25P	0	1
36-00153	SCR EXSEM PAN PH 6-32X3/8 ZI	0	7
36-00154	NUT KEP 4-40	0	22
36-00563	SCR EXSEM PAN PH 8-32X3/8 ZI	0	14
36-00564	SCR EXSEM PAN PH 8-32X5/8 ZI	0	1
36-00567	WSHR FLT STL #6 3/8 1/32	0	4
36-00568	WSHR FLT STL #8 3/8 1/32	0	15
36-00569	WSHR FLT STL #10 7/16 .06	0	22
36-00570	NUT KEP 6-32	0	1
36-00591	CABLETIE MINI 18LB NYL 4"	0	6
36-00598	CABLEMNT NYL SQ 1"	0	6
36-00599	SCR EXSEM PAN PH 1/4-20X3/4 Z	0	6
36-01034	STNDOFF RND NYL .156X.187X1/4	0	2
36-01225	WSHR SPLTLCK 1/4 BR	0	4
36-01226	NUT HEX 1/4-20 BRASS	0	4
36-01338	SCR EXSEM PAN PH 10-32X1/2 ZI	0	32
36-06824-00	SCR EXSEM PAN PH 4-40X3/8 ZI	0	22
42-01204	WIRE COV DUCT 3" PVC	0	1.5
42-01205	WIRE DUCT 3X4 PVC	0	1.5
51-00462	MNT ANGLE CARD CAGE PI	0	4
51-00485-00	RAIL SUPT CARD CAGE MAXI RT PI	0	1
51-00485-01	RAIL SUPT CARD CAGE MAXI LT PI	0	1
51-00693	SPRT CARD CAGE MAXI FR PI	0	1
51-00694	SPRT CARD CAGE MAXI RR PI	0	1

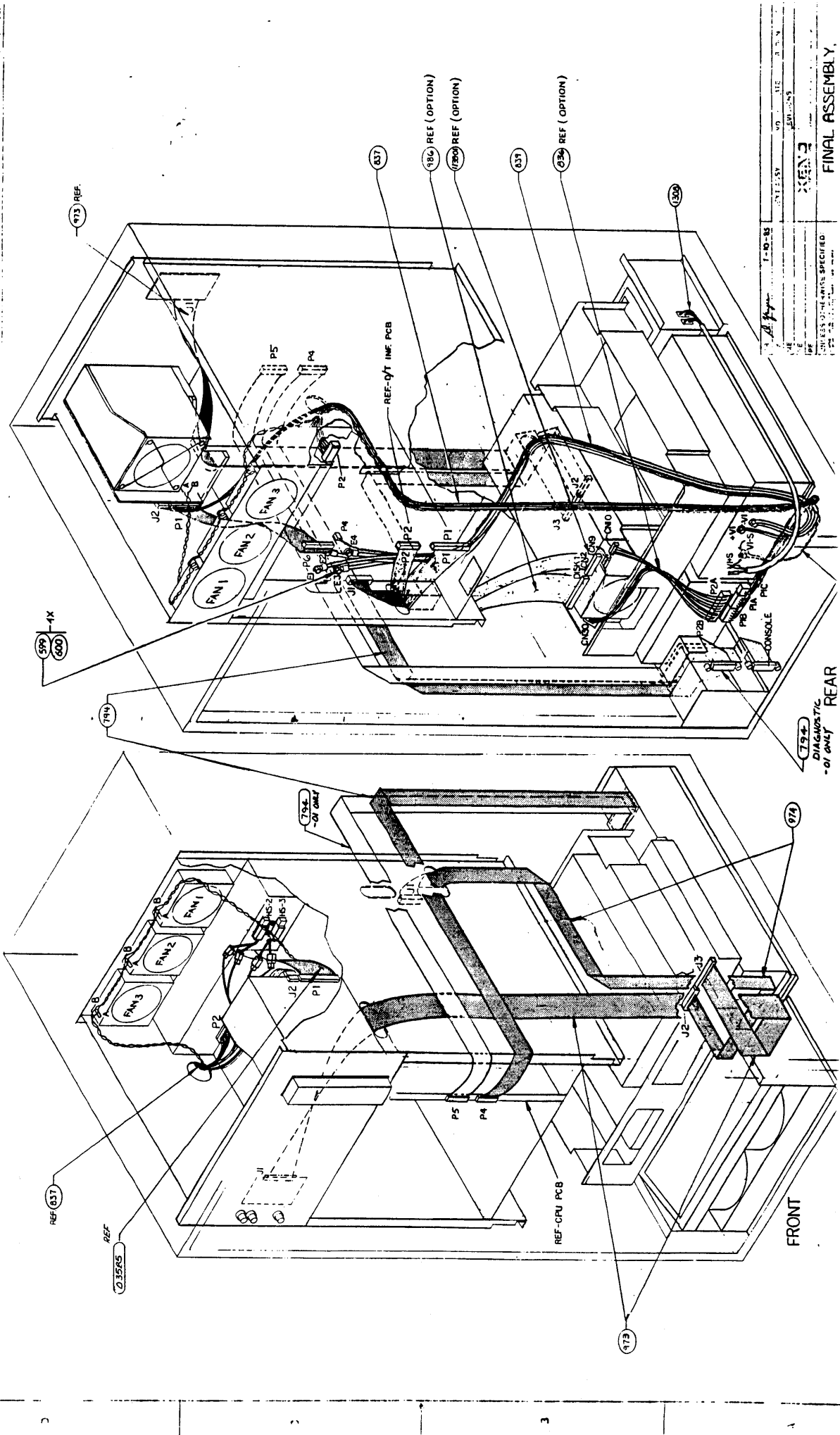
**DATE:** April 23, 1991

**MODEL 850 FINAL ASSY MAXI CHAR ARIX PART NUMBER 94-00969**

<b>PART NUMBER</b>	<b>DESCRIPTION</b>	<b>ITEM</b>	<b>QUANTITY</b>
51-00704	COV CARD CAGE TOP MAXI	PI	0
51-00934-03	PLT I/O BLANK DK CHAR	0	11
51-01155	PLENUM AIR MAXI PI	0	1
51-01157	COV ACC FILTER MAXI PI	0	1
51-01172	FILTER AIR MAXI PI	0	1
52-01026	SHIELD MB MAXI PI	0	1
81-00252-01	ASSY CARD CAGE MAXI W/TAPE	0	1
81-01154	ASSY FAN MAXI AIR INTAKE	0	1
81-01163-08	ASSY CAB MAXI CHAR ARIX	0	1
81-04757-00	ASSY PCM/PWR SUP MAXI 1800W	0	1
82-00794	ASSY CBL CONSOLE PI	0	2
82-00837	ASSY HARN PWR CARD CAGE PI	0	1
82-00839	ASSY HARN 5V POWER II MAXI PI	0	1
82-00973	ASSY CBL PNL FR II PI	0	1
82-00974	ASSY CBL CTRL LOG II PI	0	1
82-01308	ASSY CBL AC FAN VDE MAXI PI	0	1
88-00254-01	KIT SHIP MAXI AR	0	1
88-03169-08	KIT TRIM LT CHAR MAR 1200 ARI	0	1
AD-00969-XX	DWG ASSY FNL MAXI	0	0



DWD NO AD-00969 - XX INT 2 V  
 PARTS  
 DESCRIPTION  
 PARTS



REV	DATE	BY	CHK	APP
1				
2				
3				
4				
5				
6				
7				
8				
9				
10				
11				
12				
13				
14				
15				
16				
17				
18				
19				
20				
21				
22				
23				
24				
25				
26				
27				
28				
29				
30				
31				
32				
33				
34				
35				
36				
37				
38				
39				
40				
41				
42				
43				
44				
45				
46				
47				
48				
49				
50				
51				
52				
53				
54				
55				
56				
57				
58				
59				
60				
61				
62				
63				
64				
65				
66				
67				
68				
69				
70				
71				
72				
73				
74				
75				
76				
77				
78				
79				
80				
81				
82				
83				
84				
85				
86				
87				
88				
89				
90				
91				
92				
93				
94				
95				
96				
97				
98				
99				
100				

79±  
 DIAGNOSTIC  
 -01 ONLY

FINAL ASSEMBLY



**DATE:** April 23, 1991

**MODEL 850 ASSY CARD CAGE MAXI W/TAPE PART NUMBER 81-00252**

<b>PART NUMBER</b>	<b>DESCRIPTION</b>	<b>REF.</b>	<b>QUANTITY</b>
02-00740	STRIP GROMMET .105THK	1	2
04-00726	ADHESIVE LOCTITE BLK MAX	2	1
27-00350	FAN 24VDC 105CFM 4.69X4.69W/T	3	1
36-00562	SCR EXSEM PAN PH 6-32X1/2 ZI	4	4
30-00767	CLAMP CBL FLT	5	1
36-00153	SCR EXSEM PAN PH 6-32X3/8 ZI	6	6
36-00498	SCR EXSEM PAN PH 6-32X1/4 ZI	7	6
36-00516	SCR EXSEM PAN PH 8-32X1/4 ZI	8	2
36-00561	SCR EXSEM PAN PH 6-32X5/8 ZI	9	8
36-00563	SCR EXSEM PAN PH 8-32X3/8 ZI	10	59
36-00567	WSHR FLT STL #6 3/8 1/32	11	4
36-00568	WSHR FLT STL #8 3/8 1/32	12	10
36-00591	CABLETIE MINI 18LB NYL 4"	13	5
36-00598	CABLEMNT NYL SQ 1"	14	3
36-01915	SCR SEM SQCON PH 6-32X3/8 ZI	15	5
36-02944-00	SCR SEM SQCON PPH 8-32X3/8 ZI	16	6
36-00570	NUT KEP 6-32	17	4
51-00232	BRACE MOTHERBOARD MAXI PI	18	1
51-00233	PLT GUIDE MAXI LWR PI	19	1
51-00234	PLT GUIDE MAXI UPR MAIN PI	20	1
51-00235	PLT GUIDE MAXI UPR REAR PI	21	1
51-00272	BRACE VERTICAL CARD CAGE PI	22	1
51-00472-00	PLT CARD CAGE END RIGHT PI	23	1
51-00472-01	PLT CARD CAGE END LEFT PI	24	1
51-01058	PLT CARD CAGE FLR LOG PI	25	2
51-01059	PLT CARD CAGE FLR INTRF PI	26	1
51-01066	BRKT HEAT SENSOR PI	27	2
51-03298-00	BRKT ANNUNCIATOR MTG 900/1200 PI	28	1
51-03301-00	BRKT DRIVE MNT 900/1200 PI	29	1
51-03306-01	PLT TAPE DRIVE 1200 PI	30	1

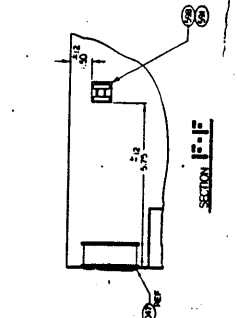
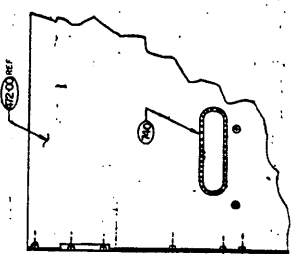
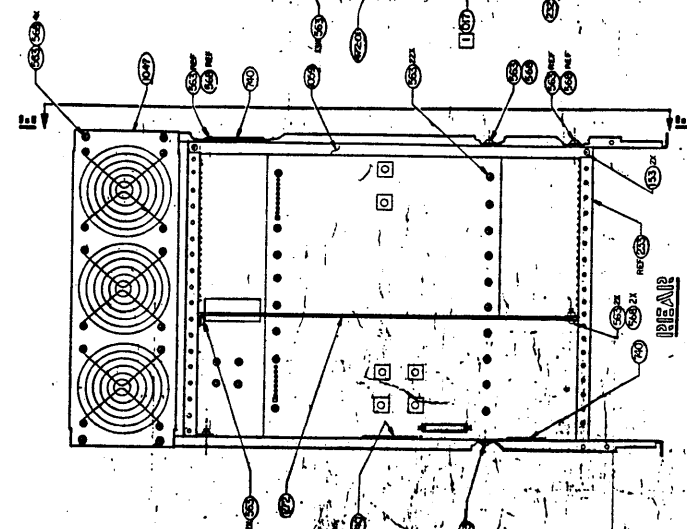
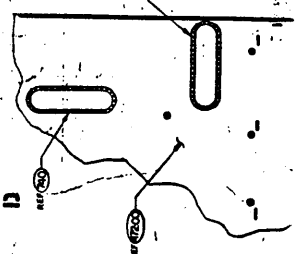
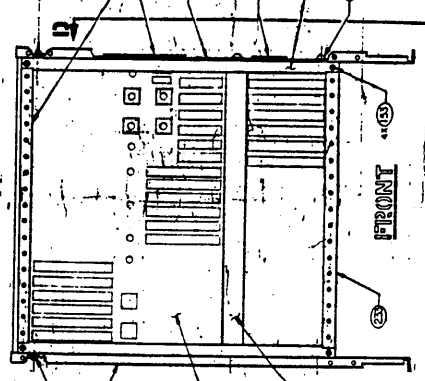
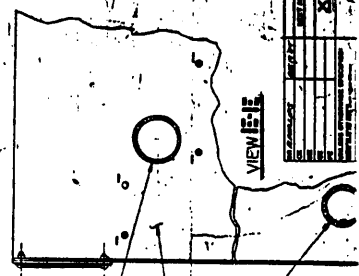
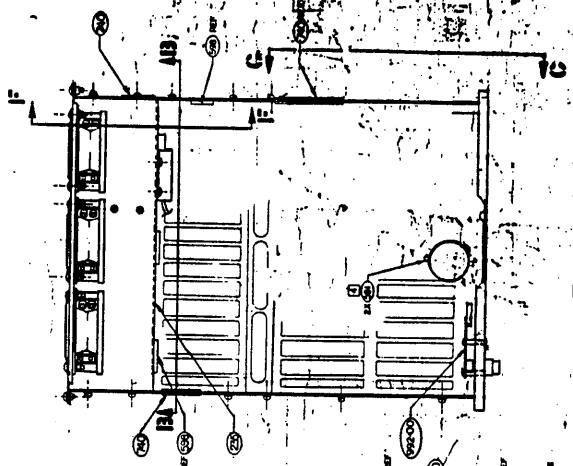
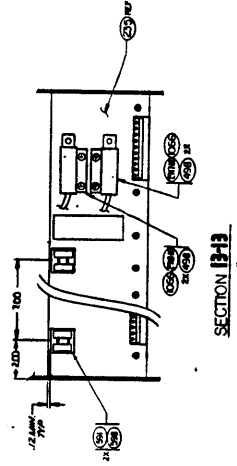
**DATE:** April 23, 1991

**MODEL 850 ASSY CARD CAGE MAXI W/TAPE PART NUMBER 81-00252**

<b>PART NUMBER</b>	<b>DESCRIPTION</b>	<b>ITEM</b>	<b>QUANTITY</b>
51 -03461-00	BOX TAPE DRIVE SUPPORT PI	31	1
52-01794	PNL ANNUNCIATOR PI	32	1
80-00017	PCBASSY MAIN BD MAXI	33	1
80-00992	PCBASSY DISPLAY	34	1
80-03263-00-A	PCBASSY + 12V POWER CONVERTER	35	1
81-01047	ASSY FAN MAXI	36	1
81-02917-00	ASSY HT SNSR CC60	37	1
81-02918-00	ASSY HT SNSR PWR SUP CC55 90	38	1
82-00488	ASSY HARN ANNUN MAXI PI	39	1
82-03310-00	ASSY CBL PWR TAPE PI	40	1
82-03585-00	ASSY CBL TAPE LOGIC 900/1200 PI	41	1
AD-00252-01	DWG ASSY CARD CAGE MAXI	300	0

REV	DATE	BY	CHKD
1	11/14/58	WJ	WJ
2	11/14/58	WJ	WJ
3	11/14/58	WJ	WJ

REV	DATE	BY	CHKD
1	11/14/58	WJ	WJ
2	11/14/58	WJ	WJ
3	11/14/58	WJ	WJ



NOTES:  
 1. REFER TO PROCEDURE IN INSTRUCTIONS FOR ADJUSTING ALUMINUM N/BAND  
 2. DO NOT "SCORE" PARTS. THE DRIVE ALUMINUM IS DONE  
 3. REFER TO PROCEDURE IN INSTRUCTIONS FOR ADJUSTING ALUMINUM N/BAND  
 4. REFER TO PROCEDURE IN INSTRUCTIONS FOR ADJUSTING ALUMINUM N/BAND  
 5. REFER TO PROCEDURE IN INSTRUCTIONS FOR ADJUSTING ALUMINUM N/BAND  
 6. REFER TO PROCEDURE IN INSTRUCTIONS FOR ADJUSTING ALUMINUM N/BAND  
 7. REFER TO PROCEDURE IN INSTRUCTIONS FOR ADJUSTING ALUMINUM N/BAND  
 8. REFER TO PROCEDURE IN INSTRUCTIONS FOR ADJUSTING ALUMINUM N/BAND  
 9. REFER TO PROCEDURE IN INSTRUCTIONS FOR ADJUSTING ALUMINUM N/BAND  
 10. REFER TO PROCEDURE IN INSTRUCTIONS FOR ADJUSTING ALUMINUM N/BAND

REV	DATE	BY	CHKD
1	11/14/58	WJ	WJ
2	11/14/58	WJ	WJ
3	11/14/58	WJ	WJ

**DATE:** April 23, 1991

**MODEL 850 ASSY FAN MAXI PART NUMBER 81-01047**

<b>PART NUMBER</b>	<b>DESCRIPTION</b>	<b>REF.</b>	<b>QUANTITY</b>
27-00350	FAN 24VDC 105CFM 4.69X4.69W/T	1	3
27-00508	FAN FINGERGUARD 4.12X4.12 UL	2	3
36-00636	SCR EXSEM PAN PH 6-32X3/4 ZI	3	12
36-00570	NUT KEP 6-32	4	12
51-00682	CHASSIS FAN MTG MAXI PI	5	1

**DATE:** April 23, 1991

**MODEL 850 ASSY HT SNSR CC60 PART NUMBER 81-02917**

<b>PART NUMBER</b>	<b>DESCRIPTION</b>	<b>REF.</b>	<b>QUANTITY</b>
24-02812-02	SWITCH THERMAL SPST-NC 60DEG PI	1	1
30-01078	CONN COUPLER MALE #22-18	2	2

**Λ RIX Corporation**

---

**DATE:** April 23, 1991

**MODEL 850 ASSY HT SNSR PWR SUP CC55 PART NUMBER 81-02918**

<b>PART NUMBER</b>	<b>DESCRIPTION</b>	<b>REF.</b>	<b>QUANTITY</b>
24-02812-01	SWITCH THERMAL SPST-NC 55DEG PI	1	1
30-01078	CONN COUPLER MALE #22-18	2	2

**DATE:** April 23, 1991

**MODEL 850 ASSY FAN MAXI AIR INTAKE PART NUMBER 81-01154**

<b>PART NUMBER</b>	<b>DESCRIPTION</b>	<b>REF.</b>	<b>QUANTITY</b>
03-01160	TAPE FOAM 1/4X1/2 VYNL BLK	1	3
36-00498	SCR EXSEM PAN PH 6-32X1/4 ZI	2	4
36-00562	SCR EXSEM PAN PH 6-32X1/2 ZI	4	4
36-00567	WSHR FLT STL #6 3/8 1/32	5	4
36-00570	NUT KEP 6-32	6	8
36-00591	CABLETIE MINI 18LB NYL 4"	7	1
36-00598	CABLEMNT NYL SQ 1"	8	1
44-01170	FINGERGWARD FOR 6.75" RND FAN	9	2
51-01156	HOUSING FAN MAXI PI	10	1
51-01158	SCREEN FAN MAXI PI	11	1
81-01171	ASSY FAN WIRING	12	2
36-00636	SCR EXSEM PAN PH 6-32X3/4 ZI	13	4

**DATE:** April 23, 1991

**MODEL 850 ASSY FAN WIRING PART NUMBER 81-01171**

<b>PART NUMBER</b>	<b>DESCRIPTION</b>	<b>REF.</b>	<b>QUANTITY</b>
02-00557	TUBING SHRINK 3/8" BLK	1	1.4
30-00751	CONN CONT MT&LCK M #24-18 .04	2	2
30-01173	CONN HSG MT&LCK 2C CAP PNL	3	1
44-01169	FAN 230VAC 205CFM 6"DIA	4	1



**DATE:** April 23, 1991

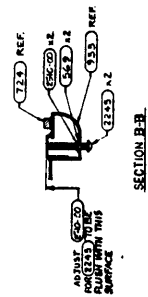
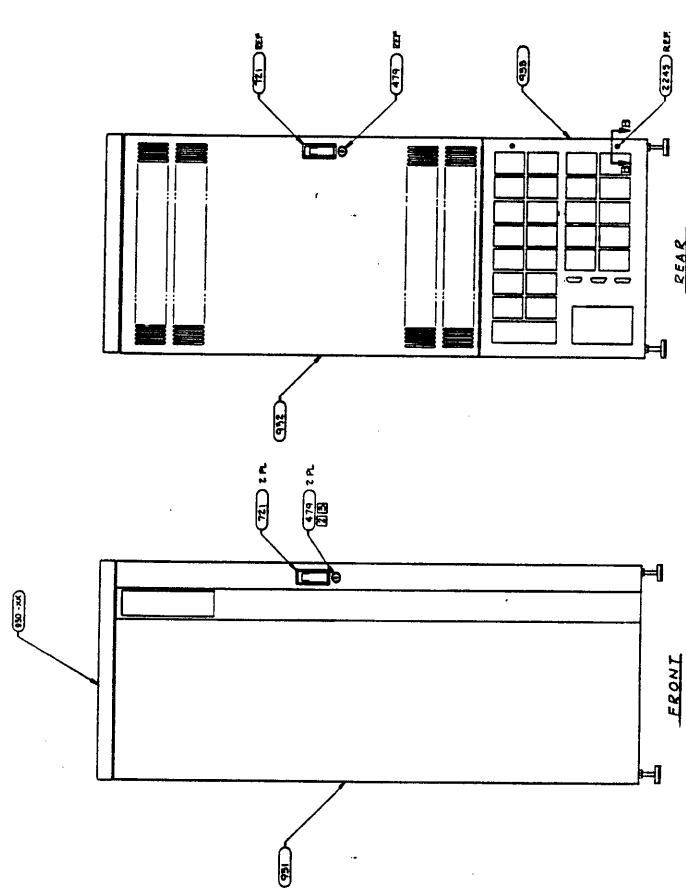
**MODEL 850 ASSY CAB MAXI CHAR ARIX PART NUMBER 81-01163**

<b>PART NUMBER</b>	<b>DESCRIPTION</b>	<b>REF.</b>	<b>QUANTITY</b>
51-00930-08	COV TOP MAXI LT CHAR	0	1
51-00931-03	DOOR FR MAXI DK CHAR	0	1
51-00932-03	DOOR UPR RR MAXI DK CHAR	0	1
51-00933-03	DOOR LWR RR MAXI DK CHAR	0	1
51-00935-03	CABINET MAXI DK CHAR	0	1
51-01736-03	HINGE DOOR FR DK CHAR	0	1
51-01737-03	HINGE DOOR RR UPR DK CHAR	0	1
51-01738-03	HINGE DOOR RR LWR DK CHAR	0	1
03-00724	GASKET WIRE MESH .25 IN SQ	1	19
03-00725	GASKET WIRE MESH .19 IN SQ	2	8
04-00727	ADHESIVE ACCEL TAKPAK	3	.2
04-01137	ADHESIVE LOCTITE SEALANT 242	4	.1
04-01252	ADHESIVE LOCTITE WHT MAX	5	.2
36-00569	WSHR FLT STL #10 7/16 .06	6	2
36-00572	NUT KEP 3/8-16	7	4
36-06824-00	SCR EXSEM PAN PH 4-40X3/8 ZI	8	26
36-02245	SCR PNL BLK 10-32 1-1/2	9	2
36-02510-00	RTNG RING EXT 3/16"	10	2
36-01671	WSHR SPLTLCK 5/16	11	16
36-01672	NUT HEX 5/16-18	12	16
36-01760	RIVET POP 1/8 .063-.125 ST DM	13	26
40-00486	FOOT LEVELING	14	4
44-00479	KEYLOCK 1-3/16"L 90DEG CAM	15	2
44-00721	LATCH FLUSH W/O LCK CHROME	16	2
44-01598	CASTER SWIVEL PI	17	0
44-03527-00	CASTER SWIVEL	17	2
44-01599	CASTER RIGID PI	18	0
44-03528-00	CASTER RIGID PI	18	2
AD-01163-XX	DWG ASSY CAB MAXI	300	0

AD-01163-XX  
Cabinet-Assembly Max

1 of 2

REV	DATE	BY	DESCRIPTION
1	11/15/54	WJ	INITIAL ISSUE
2	11/15/54	WJ	REVISIONS FOR LOGS
3	11/15/54	WJ	REVISIONS FOR LOGS
4	11/15/54	WJ	REVISIONS FOR LOGS
5	11/15/54	WJ	REVISIONS FOR LOGS
6	11/15/54	WJ	REVISIONS FOR LOGS
7	11/15/54	WJ	REVISIONS FOR LOGS
8	11/15/54	WJ	REVISIONS FOR LOGS
9	11/15/54	WJ	REVISIONS FOR LOGS
10	11/15/54	WJ	REVISIONS FOR LOGS
11	11/15/54	WJ	REVISIONS FOR LOGS
12	11/15/54	WJ	REVISIONS FOR LOGS
13	11/15/54	WJ	REVISIONS FOR LOGS
14	11/15/54	WJ	REVISIONS FOR LOGS
15	11/15/54	WJ	REVISIONS FOR LOGS
16	11/15/54	WJ	REVISIONS FOR LOGS
17	11/15/54	WJ	REVISIONS FOR LOGS
18	11/15/54	WJ	REVISIONS FOR LOGS
19	11/15/54	WJ	REVISIONS FOR LOGS
20	11/15/54	WJ	REVISIONS FOR LOGS



- NOTES: UNLESS OTHERWISE SPECIFIED
- INITIAL FOR ASSEMBLY PROCEDURES 9-A-09010
  - LOGS TO BE INSTALLED WITHOUT DISMANTLING THE CABINET
  - ALL LOGS TO OPEN WITH SAME KEY
  - TRUSS REQUIREMENTS: SEE PS-TRUSS
  - REFER TO 61-0071 FOR INSPECTION CRITERIA
  - APPLY THREADLOCKING ADHESIVE ARBETE P/N 04-0157 (LOC-TITE 2487) TO LATCH BOLT THREAD
  - LOC-TITE SHALL TO BE ROTATED APPROX 30 DEGREES UPWARD FROM HORIZONTAL POSITION
  - SEE TO-DIGRESS FOR CASTER INSTALLATION
  - SUPPLY IF FABRICATION PRINTS TRACK THE ASSEMBLY PARTS - OR IS ARBETE 6-02 R UNIFORM



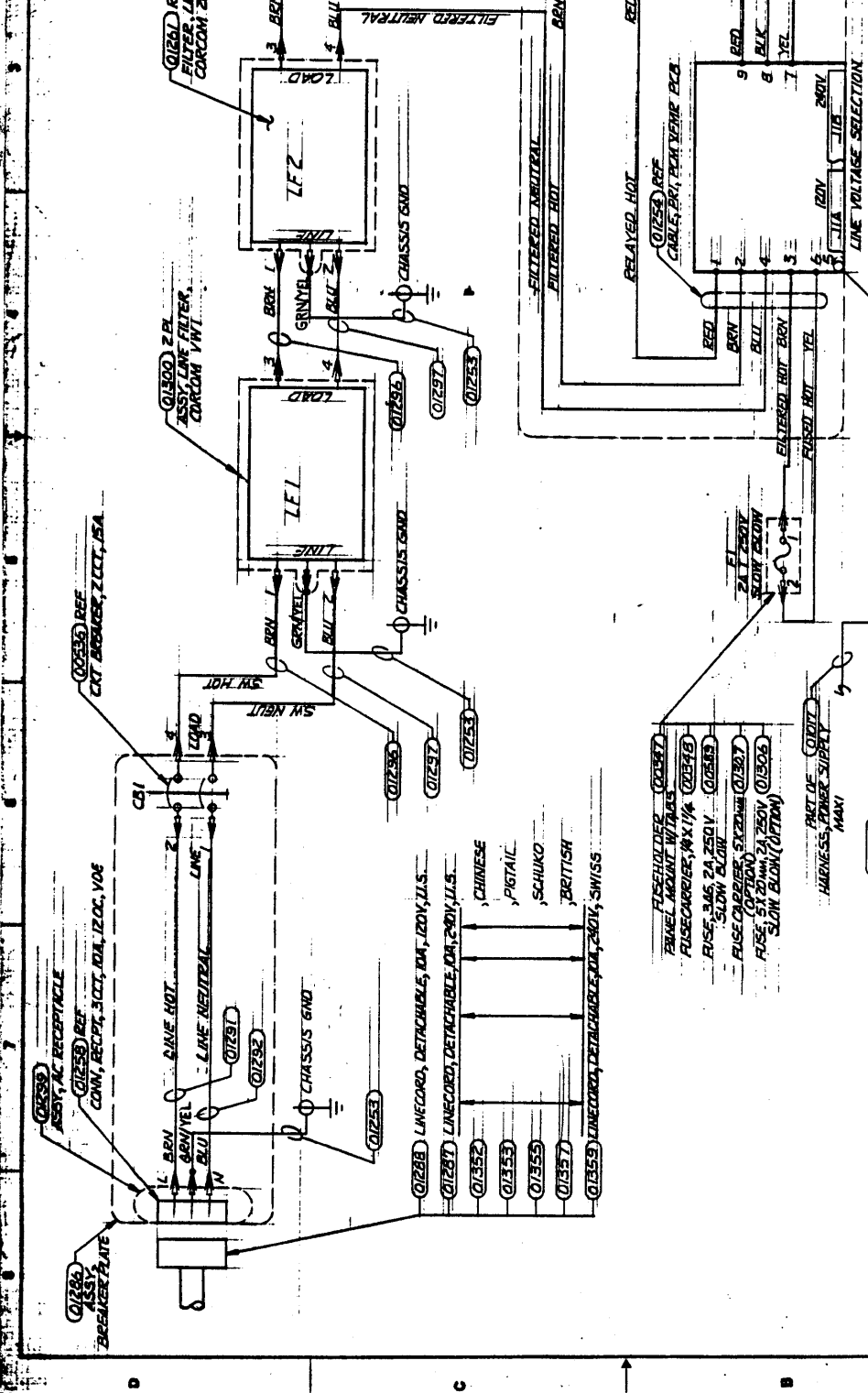
**DATE:** April 23, 1991

**MODEL 850 ASSY PCM/PWR SUP MAXI 1800W PART NUMBER 81-04757**

<b>PART NUMBER</b>	<b>DESCRIPTION</b>	<b>REF.</b>	<b>QUANTITY</b>
25-05758-00	PWR SUP SWTCHG 1800W	0	1
30-00861	CONN RECP MTA 12C .156 #18 CE	0	3
36-00153	SCR EXSEM PAN PH 6-32X3/8 ZI	0	10
36-00154	NUT KEP 4-40	0	2
36-00498	SCR EXSEM PAN PH 6-32X1/4 ZI	0	4
36-00516	SCR EXSEM PAN PH 8-32X1/4 ZI	0	4
36-00563	SCR EXSEM PAN PH 8-32X3/8 ZI	0	8
36-01225	WSHR SPLTLCK 1/4 BR	0	6
36-01226	NUT HEX 1/4-20 BRASS	0	6
42-01028	CARDGUIDE PWR SUP	0	2
51-01019	PLT MNT HEAT SENSOR PI	0	1
51-01066	BRKT HEAT SENSOR PI	0	1
51-01275	CHASSIS PCM/PWR SUP MAXI PI	0	1
51-01278	PLT ACCESS PCM MAXI PI	0	1
51-01283	BRKT PWR CTRL LOG MNT MAXI PI	0	1
51-01302	SPRT PCL MTG BRKT PI	0	1
51-01767	COV PWR CTRL LOG PI	0	1
80-00927	PCBASSY DC DIST MAXI	0	1
80-00929	PCBASSY PWR CTRL LOG 3	0	1
81-01064	ASSY HT SNSR PWR SUP CC45	0	1
81-01266	ASSY PRI COMP MODULE MAXI	0	1
82-00820	ASSY JMPR MTA .156 LCK 1C	0	3
82-01017	ASSY HARN PWR SUP MAXI PI	0	1
AD-04757-00	DWG ASSY PCB/PWR SUP MX 1800W	0	0
WD-04757-00	WIRE DIA PCM/PWR SUP MX 1800W	0	0



REV	DATE	BY	DESCRIPTION	APP'D	REV
1	3-1-64	AW	PROD REC. PIE \$60 41118		3, 1, 2
2	11-23-65	AW	REVISED. PRE. 825 BY 1424 A		1, 2
3					1, 2, 3, 4



**NOTES:** UNLESS OTHERWISE SPECIFIED:  
 1. DIMENSIONS (UNLESS OTHERWISE SPECIFIED) IN MILLIMETERS.  
 2. DIMENSIONS IN PARENTHESES ARE SHOWN FOR REFERENCE ONLY AND MAY NOT APPEAR ON PART DRAWINGS. REFER TO INDIVIDUAL ASSY DWGS. FOR EXACT PART DIMENSIONS.  
 3. CONNECTION TYPES ARE DENOTED BY THE FOLLOWING SYMBOLS:  
 ○ RING TONGUE    ◯ QUICK-DISCONNECT    ◯ SOLDER    ○ SPREAD TAB  
 4. REFER TO:  
 141-01295  
 40-01255

- 01253 ASSY AC RECEPTACLE  
CONN, RECEPT, 50CT, 50AL, 120C, 100E
- 01254 Z-P FILTER, ASSY LINE, CONCORD 251W1
- 01255 CHASSIS GND
- 01258 VOLTAGE SELECTOR
- 01259-00 CABLE, PWR SUPPLY PRIMARY
- 01259-01 POWER SUPPLY, SWITCHING, 1000W
- 01261 CABLE AC, 550V, 25A, 200VAC, VDE
- 01262 ASSY BREAKER PLATE
- 01263 LINE CORD, DETACHABLE, 20A, 120V, U.S.
- 01264 LINE CORD, DETACHABLE, 20A, 200V, U.S.
- 01265 FUSE, 5A, 250V, SLOW BLOW
- 01266 FUSE, 5A, 250V, SLOW BLOW (OPTION)
- 01267 FUSE, 5A, 250V, SLOW BLOW (OPTION)
- 01268 FUSE, 5A, 250V, SLOW BLOW (OPTION)
- 01269 FUSE, 5A, 250V, SLOW BLOW (OPTION)
- 01270 FUSE, 5A, 250V, SLOW BLOW (OPTION)
- 01271 FUSE, 5A, 250V, SLOW BLOW (OPTION)
- 01272 FUSE, 5A, 250V, SLOW BLOW (OPTION)
- 01273 FUSE, 5A, 250V, SLOW BLOW (OPTION)
- 01274 FUSE, 5A, 250V, SLOW BLOW (OPTION)
- 01275 FUSE, 5A, 250V, SLOW BLOW (OPTION)
- 01276 FUSE, 5A, 250V, SLOW BLOW (OPTION)
- 01277 FUSE, 5A, 250V, SLOW BLOW (OPTION)
- 01278 FUSE, 5A, 250V, SLOW BLOW (OPTION)
- 01279 FUSE, 5A, 250V, SLOW BLOW (OPTION)
- 01280 FUSE, 5A, 250V, SLOW BLOW (OPTION)
- 01281 FUSE, 5A, 250V, SLOW BLOW (OPTION)
- 01282 FUSE, 5A, 250V, SLOW BLOW (OPTION)
- 01283 FUSE, 5A, 250V, SLOW BLOW (OPTION)
- 01284 FUSE, 5A, 250V, SLOW BLOW (OPTION)
- 01285 FUSE, 5A, 250V, SLOW BLOW (OPTION)
- 01286 FUSE, 5A, 250V, SLOW BLOW (OPTION)
- 01287 FUSE, 5A, 250V, SLOW BLOW (OPTION)
- 01288 FUSE, 5A, 250V, SLOW BLOW (OPTION)
- 01289 FUSE, 5A, 250V, SLOW BLOW (OPTION)
- 01290 FUSE, 5A, 250V, SLOW BLOW (OPTION)
- 01291 FUSE, 5A, 250V, SLOW BLOW (OPTION)
- 01292 FUSE, 5A, 250V, SLOW BLOW (OPTION)
- 01293 FUSE, 5A, 250V, SLOW BLOW (OPTION)
- 01294 FUSE, 5A, 250V, SLOW BLOW (OPTION)
- 01295 FUSE, 5A, 250V, SLOW BLOW (OPTION)
- 01296 FUSE, 5A, 250V, SLOW BLOW (OPTION)
- 01297 FUSE, 5A, 250V, SLOW BLOW (OPTION)
- 01298 FUSE, 5A, 250V, SLOW BLOW (OPTION)
- 01299 FUSE, 5A, 250V, SLOW BLOW (OPTION)
- 01300 FUSE, 5A, 250V, SLOW BLOW (OPTION)

OR/INFORMER	DATE	APPROV	REVISIONS
26/11/65	26/11/65		1
27/11/65	27/11/65		2

WORKING DIAGRAM  
 ASSY. PWR SUPPLY, 1000W

UNLESS OTHERWISE SPECIFIED:  
 DIMENSIONS IN PARENTHESES ARE SHOWN FOR REFERENCE ONLY AND MAY NOT APPEAR ON PART DRAWINGS. REFER TO INDIVIDUAL ASSY DWGS. FOR EXACT PART DIMENSIONS.

**ΛRIX Corporation**

---

**DATE:** April 23, 1991

**MODEL 850 ASSY HT SNSR PWR SUP CC45 PART NUMBER 81-01064**

<b>PART NUMBER</b>	<b>DESCRIPTION</b>	<b>REF.</b>	<b>QUANTITY</b>
24-01056	SWITCH THERMAL SPST-NC 45DEG PI	1	1
30-01078	CONN COUPLER MALE #22-18	2	2

**DATE:** April 23, 1991

**MODEL 850 ASSY PRI COMP MODULE MAXI PART NUMBER 81-01266**

<b>PART NUMBER</b>	<b>DESCRIPTION</b>	<b>REF.</b>	<b>QUANTITY</b>
02-00531	STRIP GROMMET .071THK	1	3
24-00347	FUSEHLDR PNL MNT W/TABS LO-PR PI	2	1
24-00348	FUSECARRIER SLTD 1-1/4X1/4 GR PI	3	1
24-00589	FUSE 3AG SLO-BLO 2.0A PI	4	1
27-01265	RELAY SOLID STATE 25A 250AC V	5	1
36-00153	SCR EXSEM PAN PH 6-32X3/8 ZI	6	11
36-00517	NUT KEP 8-32	7	3
36-00562	SCR EXSEM PAN PH 6-32X1/2 ZI	8	4
36-00570	NUT KEP 6-32	9	10
36-00591	CABLETIE MINI 18LB NYL 4"	10	1
36-00598	CABLEMNT NYL SQ 1"	11	1
51-01277	COV PRI COMP MOD MAXI PI	12	1
51-01276	CHASSIS PRI COMP MODULE MAXI PI	13	1
51-01279	SHIELD FILTER MAXI PI	14	1
52-01244	LBL FUSE WARNING PI	15	1
52-01285	LBL CHASSIS GROUND PI	16	1
52-01301	LBL FUSE SYMBOL PI	17	1
80-01241	PCBASSY PDCM XFMR	18	1
81-01286	ASSY BREAKER PLATE	19	1
81-01300	ASSY LINEFILTER	20	2
82-01256	ASSY CBL PWR SUP PRI PI	21	1
82-01296	ASSY JMPR #14 .25/.25 BRN 14" PI	22	2
82-01297	ASSY JMPR #14 .25/.25 BLU 14" PI	23	2
52-01345	LBL 120/240 VAC WARNING PI	24	1



**DATE:** April 23, 1991

**MODEL 850 ASSY BREAKER PLATE PART NUMBER 81-01286**

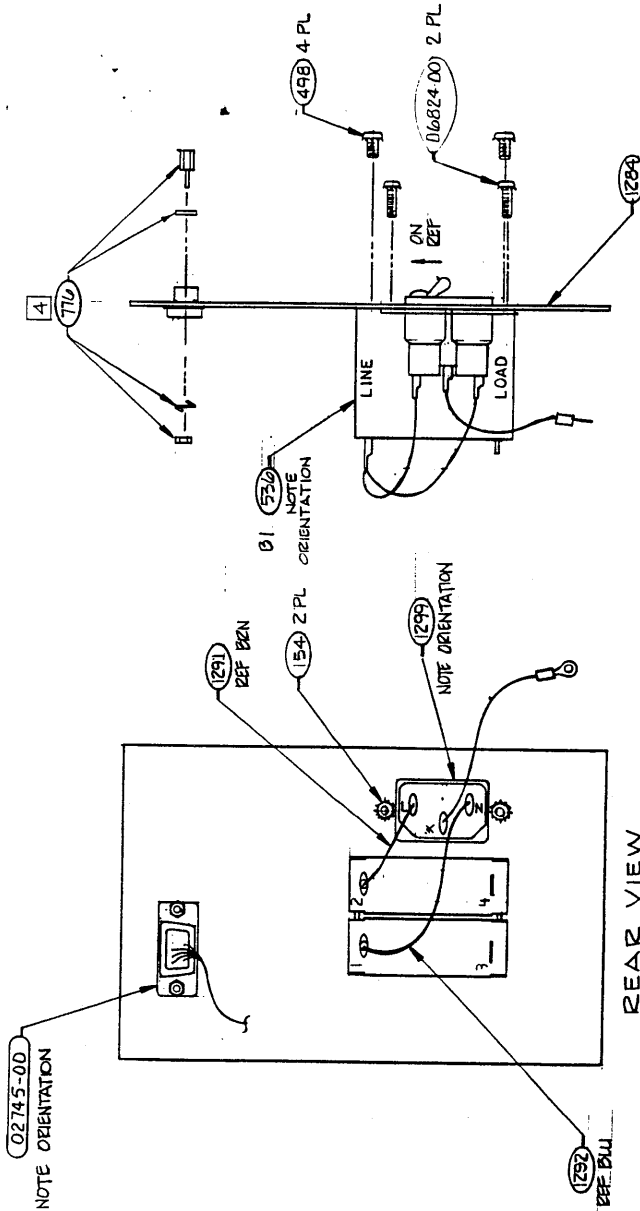
<b>PART NUMBER</b>	<b>DESCRIPTION</b>	<b>REF.</b>	<b>QUANTITY</b>
24-00536	CKTBRKR 2CCT 15A PI	1	1
30-00776	CONN KIT MTG D FEM SCRLCK 4-4	2	1
36-00154	NUT KEP 4-40	3	2
36-00498	SCR EXSEM PAN PH 6-32X1/4 ZI	4	4
36-06824-00	SCR EXSEM PAN PH 4-40X3/8 ZI	5	2
51-01284	PLT BREAKER PI	6	1
81-01299	ASSY AC RECEPTACLE	7	1
82-02745-00	ASSY HARN UPS STAT	8	1
82-01291	ASSY JMPR #14 -25 BRN 5" PI	9	1
82-01292	ASSY JMPR #14 .25/.25 BLU 5" PI	10	1
AD-01286	DWG ASSY BREAKER PLATE	300	0

**ASSY. BREAKER PLATE**

SMI 1 OF 1

AD-01286

A	PEA 11/SEP/85	RELEASE PER ECO #293	pl	8/1/86
B	LC 10/28/85	DOC. CHANGE PER ECO 0337		
C	CM 8-5-87	REVISED PER ECO 0787	DN	8/11/87
D	DL 4-29-90	REVISED PER ECO #1651	DR	5/1/90
E	DL 6-1-90	REVISED PER ECO #1682	DR	8/11/90



**REAR VIEW**

- NOTES: UNLESS OTHERWISE SPECIFIED.
1. REFER TO LIST OF MAIL: IM-01286.
  2. REFER TO WIRING DIAG: WD-01293, -01294, -01295.
  3. PIN NAMES/NUMBERS ARE FOR REFERENCES ONLY & MAY NOT APPEAR ON PART BODIES.
  4. DISCARD UNUSED WASHERS.

DR	MURAZAKI	25/JUL/85			
CK					
ENG					
EE					
PE					
UNLESS OTHERWISE SPECIFIED:					
MATERIALS FINISHES					
DIMENSIONS TOLERANCE					
SCALE NONE					
DWG NO.					
REV					

**ASSEMBLY BREAKER PLATE**

AD-01286

**DATE:** April 23, 1991

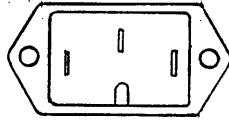
**MODEL 850 ASSY AC RECEPTACLE PART NUMBER 81-01299**

<b>PART NUMBER</b>	<b>DESCRIPTION</b>	<b>REF.</b>	<b>QUANTITY</b>
30-01258	CONN PWR RECP 120C 10A VDE	1	1
82-04782-00	ASSY JMPR GND PCM 4" PI	2	1
AD-01299	DWG ASSY AC RECEPTABLE	300	0

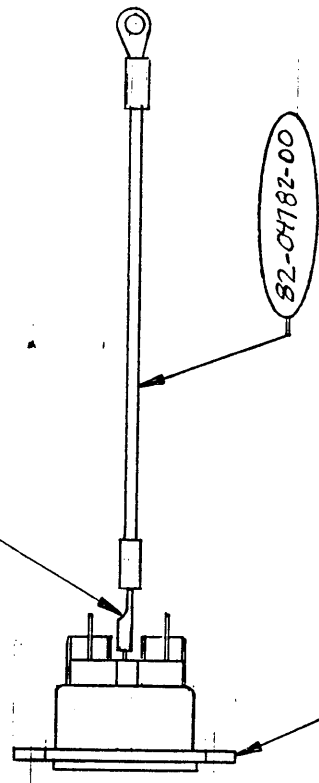
AD-01299

B

A	PEA 11 SEP 85	RELEASE PER ECO 0293	164	1/20/85
B	AV	3-2-84	REVISED PER ECO # 1144	DA



SOLDER TAB RECEPTACLE TO  
GROUND TAB



NOTE ORIENTATION

NOTES: UNLESS OTHERWISE SPECIFIED.

1. REFER TO LIST OF MATL - LM-01299

MFOURAKER 30 JUL 85

ASSY  
AC RECEPTACLE

NONE

**DATE:** April 23, 1991

**MODEL 850 ASSY LINEFILTER PART NUMBER 81-01300**

<b>PART NUMBER</b>	<b>DESCRIPTION</b>	<b>REF.</b>	<b>QUANTITY</b>
17-01261	LINE FLTR VDE 20VW1 PI	1	1
82-01253	ASSY JMPR PCM GND PI	2	1

**DATE:** April 23, 1991

**MODEL 850 KIT SHIP MAXI ARIX PART NUMBER 88-00254**

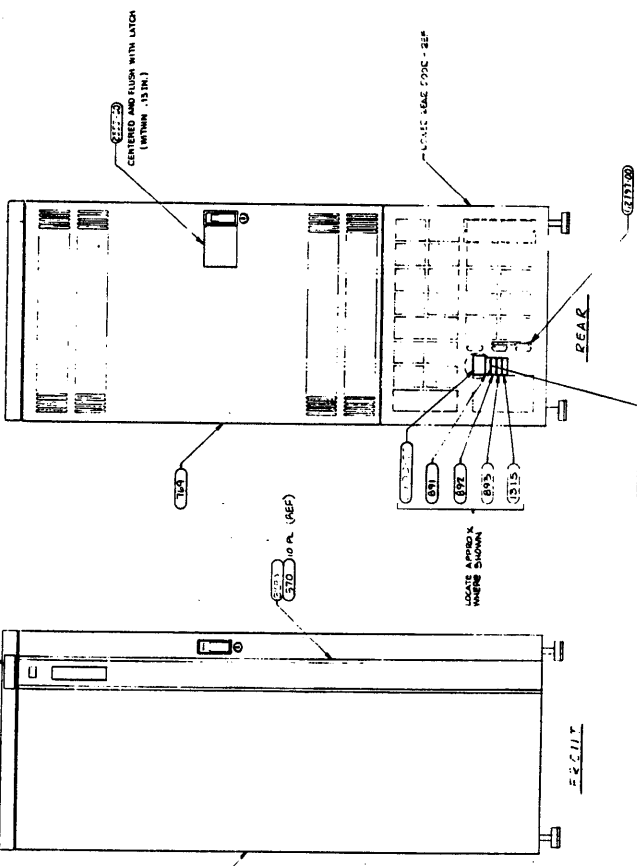
<b>PART NUMBER</b>	<b>DESCRIPTION</b>	<b>REF.</b>	<b>QUANTITY</b>
02-00531	STRIP GROMMET .071THK	0	.75
04-01252	ADHESIVE LOCTITE WHT MAX	0	.1
36-00153	SCR EXSEM PAN PH 6-32X3/8 ZI	0	4
36-00154	NUT KEP 4-40	0	26
36-00563	SCR EXSEM PAN PH 8-32X3/8 ZI	0	9
36-00567	WSHR FLT STL #6 3/8 1/32	0	8
36-00568	WSHR FLT STL #8 3/8 1/32	0	5
36-01915	SCR SEM SQCON PH 6-32X3/8 ZI	0	18
36-06824-00	SCR EXSEM PAN PH 4-40X3/8 ZI	0	26
42-01315	LABEL TUV	0	1
51-00493	PLT LOGIC BLANK 1POS PI	0	6
51-00494	PLT LOGIC BLANK 2POS PI	0	5
51-00495	PLT INTRF BLANK 1POS PI	0	3
51-00496	PLT INTRF BLANK 2POS PI	0	3
51-00710	COV CARD CAGE RR MAXI PI	0	1
51-01280	SHIELD PWR SUP MAXI LEFT PI	0	1
51-01281	SHIELD PWR SUP MAXI RIGHT PI	0	1
51-01282	SHIELD PWR SUP MAXI MAIN PI	0	1
52-00891	LBL FCC PI	0	1
52-00892	LBL UL PI	0	1
52-00893	LBL CSA PI	0	1
52-02559-00	LBL ACCESS RESTRICTION	0	1
52-04190-00	LBL SERIAL NUMBER ARIX PI	0	1
52-06855-00	FORM CUSTOMER RESPONSE PI	0	1
AD-00254-XX	DWG ASSY KIT SHIP MAXI	0	0
MD-04190-00	DWG MOD LBL SERIAL NUMBER ARIX	0	0

AD-00254 XXI  
Kit Shipping Max

142

REV	DATE	DESCRIPTION	BY	CHKD
1	1/25/54	REVISED PER EGO 4013	...	...
2	1/25/54	REVISED PER EGO 4013	...	...
3	1/25/54	REVISED PER EGO 4013	...	...
4	1/25/54	REVISED PER EGO 4013	...	...
5	1/25/54	REVISED PER EGO 4013	...	...
6	1/25/54	REVISED PER EGO 4013	...	...
7	1/25/54	REVISED PER EGO 4013	...	...
8	1/25/54	REVISED PER EGO 4013	...	...
9	1/25/54	REVISED PER EGO 4013	...	...
10	1/25/54	REVISED PER EGO 4013	...	...
11	1/25/54	REVISED PER EGO 4013	...	...
12	1/25/54	REVISED PER EGO 4013	...	...
13	1/25/54	REVISED PER EGO 4013	...	...
14	1/25/54	REVISED PER EGO 4013	...	...
15	1/25/54	REVISED PER EGO 4013	...	...
16	1/25/54	REVISED PER EGO 4013	...	...
17	1/25/54	REVISED PER EGO 4013	...	...
18	1/25/54	REVISED PER EGO 4013	...	...
19	1/25/54	REVISED PER EGO 4013	...	...
20	1/25/54	REVISED PER EGO 4013	...	...

TABULATION CHART
-00 UNJSYS
-01 ARIX



NOTES: MASS DIMENSIONS SPECIFIED.  
 ALL DIMENSIONS UNLESS SPECIFIED.  
 ALL DIMENSIONS ARE TO CENTER UNLESS OTHERWISE NOTED.  
 ALL DIMENSIONS ARE TO BE MEASURED FROM THE CENTER OF THE DIMENSION LINE UNLESS OTHERWISE SPECIFIED.

REV	DATE	DESCRIPTION	BY	CHKD
1	1/25/54	REVISED PER EGO 4013	...	...
2	1/25/54	REVISED PER EGO 4013	...	...
3	1/25/54	REVISED PER EGO 4013	...	...
4	1/25/54	REVISED PER EGO 4013	...	...
5	1/25/54	REVISED PER EGO 4013	...	...
6	1/25/54	REVISED PER EGO 4013	...	...
7	1/25/54	REVISED PER EGO 4013	...	...
8	1/25/54	REVISED PER EGO 4013	...	...
9	1/25/54	REVISED PER EGO 4013	...	...
10	1/25/54	REVISED PER EGO 4013	...	...
11	1/25/54	REVISED PER EGO 4013	...	...
12	1/25/54	REVISED PER EGO 4013	...	...
13	1/25/54	REVISED PER EGO 4013	...	...
14	1/25/54	REVISED PER EGO 4013	...	...
15	1/25/54	REVISED PER EGO 4013	...	...
16	1/25/54	REVISED PER EGO 4013	...	...
17	1/25/54	REVISED PER EGO 4013	...	...
18	1/25/54	REVISED PER EGO 4013	...	...
19	1/25/54	REVISED PER EGO 4013	...	...
20	1/25/54	REVISED PER EGO 4013	...	...





**SERIAL NUMBER LABEL**

3

2

4

MD-04190-00 REV A

REV	DATE	APPROVED
A	6-8-90	LJD

PER EQ 1632

**ARIX CORPORATION**

52-04190-00  
REV  
MADE IN USA

MODEL	A
SN	B
VOLTAGE -	C
CURRENT	D
FREQUENCY	E

Hz

Line	A	B	C	D	E	Notes
Model Type	Model	Serial Number	Voltage	Current	Frequency	
800 - 110 V	800	See Note 1.	120 V	12	50/60	
800 - 220 V	800	See Note 1.	208-240 V	10	50/60	
800 Peripheral Expansion	800/EXP	See Note 1.	120 V	12	50/60	
800 Peripheral Expansion	800/EXP	See Note 1.	208-240 V	10	50/60	
825 - 110 V	825	See Note 1.	120 V	12	50/60	
825 - 220 V	825	See Note 1.	208-240 V	10	50/60	
850	850	See Note 1.	208-240 V	8	50/60	
875	875	See Note 1.	208-240 V	10	50/60	
900 - 110 V	900	See Note 1.	120 V	12	50/60	
900 - 220 V	900	See Note 1.	208-240 V	8	50/60	
1100 - 110 V	1100	See Note 1.	120 V	10	50/60	
1100 - 220 V	1100	See Note 1.	208-240 V	8	50/60	
1200	1200	See Note 1.	208-240 V	8	50/60	
1200/EXP	1200/EXP	See Note 1.	208-240 V	10	50/60	
1600	1600	See Note 1.	208-240 V	10	50/60	
System9040	System90 Model 40	See Note 1.	208-240 V	24	50/60	
System9060	System90 Model 60	See Note 1.	208-240 V	24	50/60	
System9025 - 110V	System90 Model 25	See Note 1.	100 - 120 V	18	50/60	
System9025 - 220 V	System90 Model 25	See Note 1.	208-240 V	12	50/60	
System9045	System90 Model 45	See Note 1.	208-240 V	24	50/60	Note 2.
System9085	System90 Model 85	See Note 1.	208-240 V	24	50/60	Note 3.
System90 Peripheral Expansion	System90/EXP	See Note 1.	208-240 V	24	50/60	
System9025 Peripheral Expansion - 110 V	System90/25	See Note 1.	100 - 120 V	12	50/60	
System9025 Peripheral Expansion - 220 V	System90/25	See Note 1.	208-240 V	10	50/60	
SCSI Device Tray - 110 V	SCSI DEV TRAY	See Note 1.	120 V	7	50/60	
SCSI Device Tray - 220 V	SCSI DEV TRAY	See Note 1.	208-240 V	4	50/60	

**Notes:**

1. Use the Serial Number assigned to the individual system or cabinet.
2. A System90/45 is a single cabinet system or the main cabinet of a System90/85.
3. A System90/85 is the IO expansion cabinet in a System90/85 or an add-on IO expansion cabinet for a System90/45.
4. Using the information from the table which is appropriate to the product identify print each line of the model/serial number label.

MD-04190-00

DR T. NEALE	5-18-90	5-18-90	ARIX CORPORATION	MODIFICATION DRAWING, SERIAL NUMBER LABEL
CK 220	ME	EE	ARIX CORPORATION	UNLESS OTHERWISE SPECIFIED: MATERIALS FINISHES
DR J. ALI	12/10/90			

DIMENSIONS-KR 101 FRANCE 90415

**DATE:** April 23, 1991

**MODEL 850 KIT TRIM LT CHAR MAR 1200 ARIX PART NUMBER 88-03169**

<b>PART NUMBER</b>	<b>DESCRIPTION</b>	<b>REF.</b>	<b>QUANTITY</b>
36-00570	NUT KEP 6-32	1	10
51-03512-02	CHANNEL FR LT CHAR MAR	3	1
52-02797-00	LBL DIAGNOSTIC/CONSOLE PI	4	1

**DATE:** May 11, 1991

**MODEL 875 ASSEMBLY PART NUMBER 99-04426**

<b>PART NUMBER</b>	<b>DESCRIPTION</b>	<b>REF.</b>	<b>QUANTITY</b>
80-00723-02	PCBASSY 9T/INTRF	0	1
80-01181-02-C	PCBASSY DMC4	0	1
80-01676-02	PCBASSY EDT/IOCP	0	1
80-02204-02-D	PCBASSY CPU32 25MHZ	0	1
80-02735-02-A	PCBASSY MEMORY 8MB	0	1
80-02735-02-B	PCBASSY MEMORY 8MB	0	0
88-02152	KIT ASSY PCB GC/PARA PORT	0	1
88-02581-00	KIT ASSY PCB GC/PARA PORT	0	1
88-02798-00	KIT MNL GDE SITE PLN/INSTL	0	1
88-03660-31	KIT DD 824MB 12/1600 1ST	0	1
88-04494-00	KIT GC16/SYNC-ASYNC IF	0	2
94-02288-08	ASSY FNL 1600 W/CACHE CHAR	0	1

**DATE:** May 11, 1991

**MODEL 875 KIT ASSY PCB GC/PARA PORT PART NUMBER 88-02152**

<b>PART NUMBER</b>	<b>DESCRIPTION</b>	<b>REF.</b>	<b>QUANTITY</b>
80-00990	PCBASSY GC/PARALLEL PORT	1	1
82-00814-02	ASSY CBL GC PARA PORT 6.5'	2	1
30-00767	CLAMP CBL FLT	3	6
36-06824-00	SCR EXSEM PAN PH 4-40X3/8	4	3
36-00591	CABLETIE MINI 18LB NYL 4"	5	6
36-00598	CABLEMNT NYL SQ 1"	6	6
36-00153	SCR EXSEM PAN PH 6-32X3/8	7	2
36-00567	WSHR FLT STL #6 3/8 1/32	8	2

**DATE:** May 11, 1991

**MODEL 875 KIT ASSY PCB GC/PARA PORT 2-4 PART NUMBER 88-02581**

<b>PART NUMBER</b>	<b>DESCRIPTION</b>	<b>ITEM</b>	<b>QUANTITY</b>
30-00767	CLAMP CBL FLT	1	6
36-00591	CABLETIE MINI 18LB NYL 4"	2	6
36-00598	CABLEMNT NYL SQ 1"	3	6
82-00814-02	ASSY CBL GC PARA PORT 6.5'	4	1

**Λ RIX Corporation**

---

**DATE:** May 11, 1991

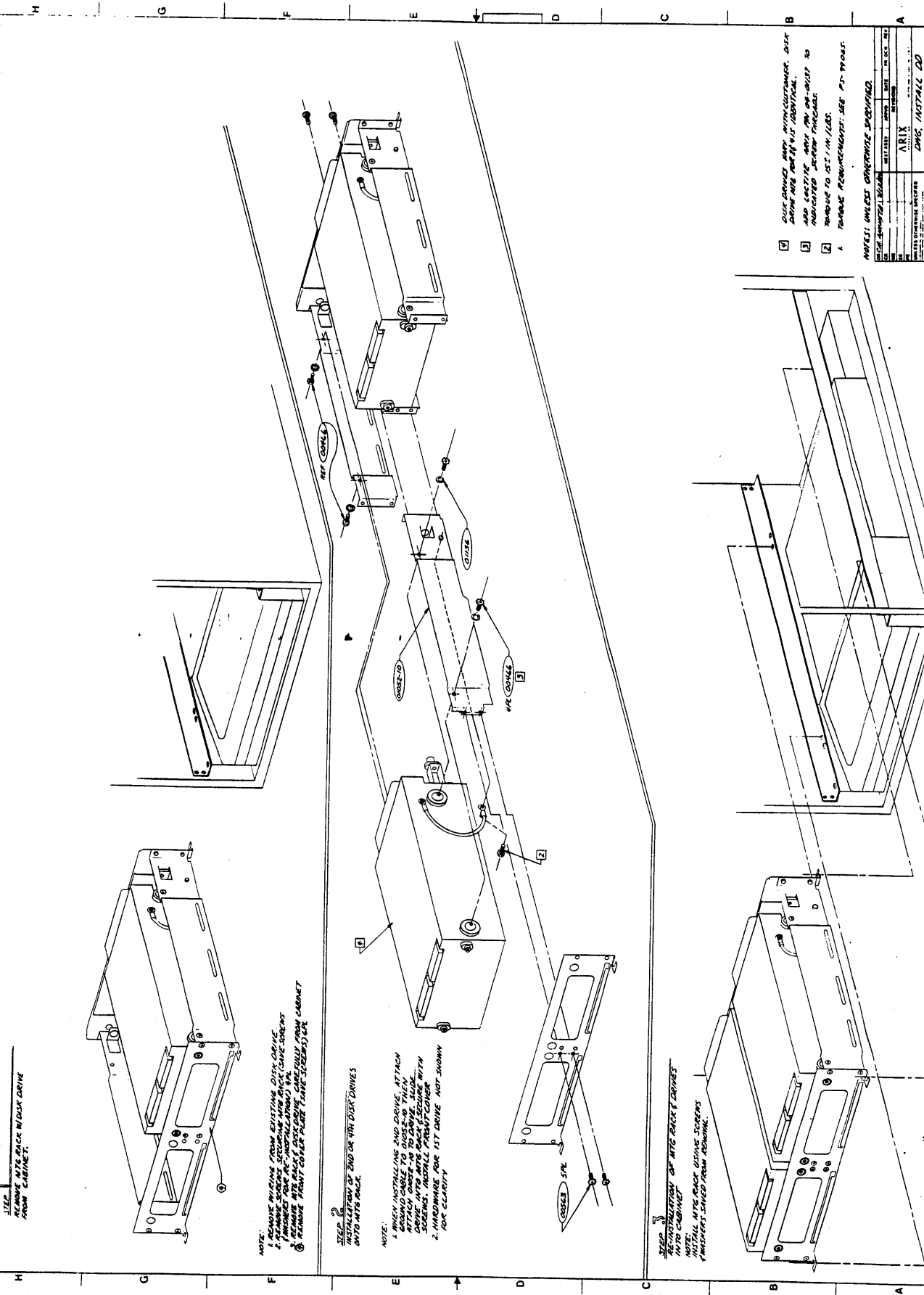
**MODEL 875 KIT MNL GDE SITE PLN/INSTL PART NUMBER 88-02798**

<b>PART NUMBER</b>	<b>DESCRIPTION</b>	<b>REF.</b>	<b>QUANTITY</b>
DO-99255-16	MNL SITE PLN/INSTL/MAINT A100	1	1

**DATE:** May 11, 1991

**MODEL 875 KIT DD 824 MB 1ST PART NUMBER 88-03660**

<b>PART NUMBER</b>	<b>DESCRIPTION</b>	<b>REF.</b>	<b>QUANTITY</b>
81-04459-01	ASSY DSK DR 824MB MOD W/ADPT	0	1
88-01589	KIT DSK DR MNT MAXI 1/3	0	1
88-03839-00	KIT CBLS DSK DR 1ST	0	1
IK-03660-XX	DWG INSTL KIT DSK DR A1000	0	1



**STEP 1**  
 REMOVE MTE RACK W/ DISK DRIVE  
 FROM CABINET.

**NOTE:**  
 1. REMOVE WIRING FROM EXISTING DISK DRIVE.  
 2. REMOVE MTE RACK W/ DISK DRIVE FROM CABINET.  
 3. REMOVE MTE RACK & DISK DRIVE CAREFULLY FROM CABINET.  
 4. REMOVE FRONT COVER PLATE (TWELVE SCREWS) ETC.

**STEP 2**  
 INSTALLATION OF END OR 1/4 IN. DISK DRIVES  
 ONTO INTO BACK.

**NOTE:**  
 1. REMOVE WIRING FROM EXISTING DISK DRIVE, ATTACH  
 ATTACH CABLE TO NEW DRIVE SLIDE.  
 2. HARDWARE FOR 1/2 IN. DRIVE, NOT SHOWN  
 FOR CLARITY

**STEP 3**  
 INSTALLATION OF MTE RACK & DRIVES  
 INTO CABINET.

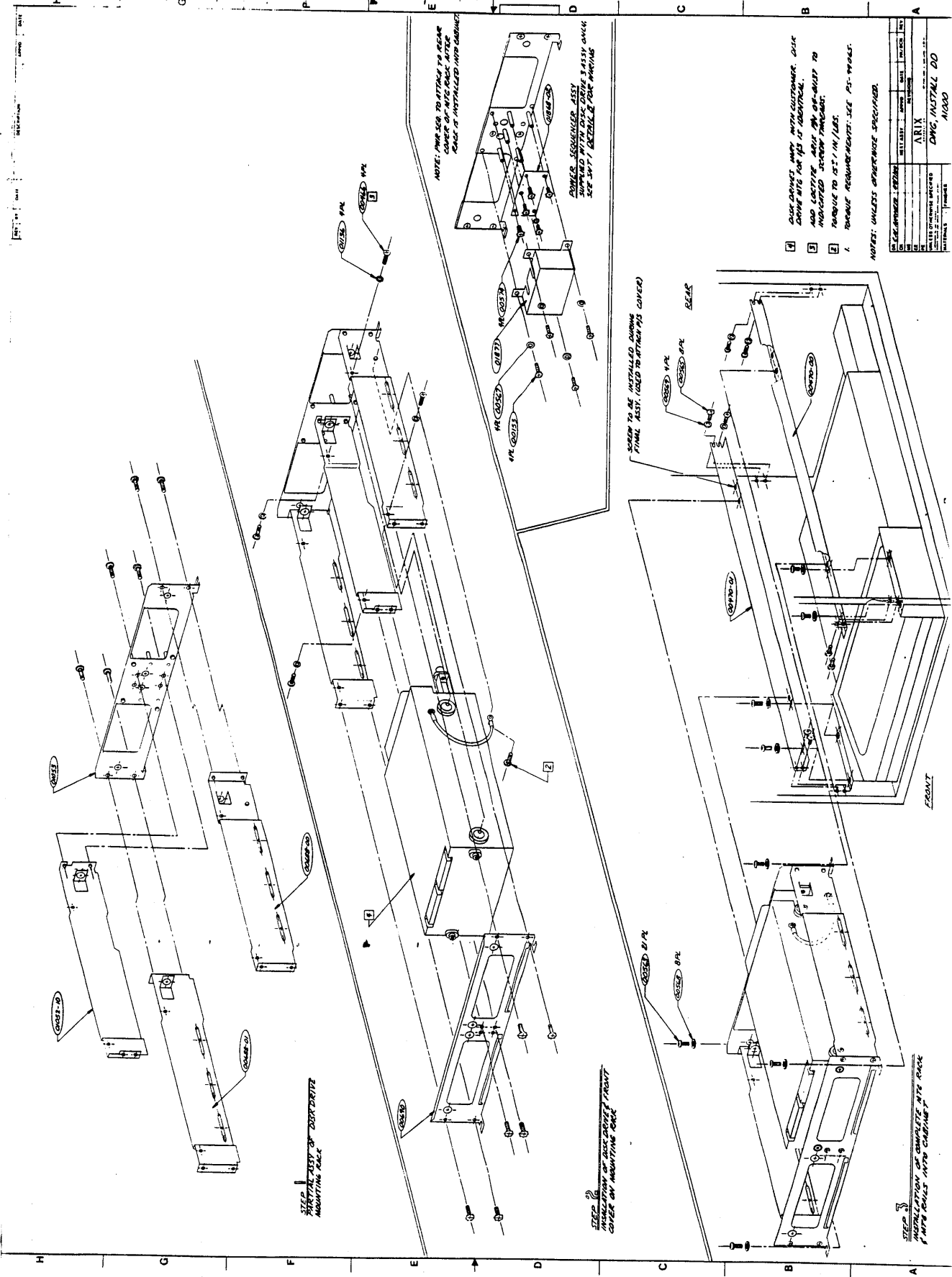
**NOTE:**  
 1. ALL MTE RACK MOUNTING SCREWS  
 MUST BE SPACED FROM FRONTING.

1. REMOVE WIRING FROM EXISTING DISK DRIVE.
2. REMOVE MTE RACK W/ DISK DRIVE FROM CABINET.
3. REMOVE FRONT COVER PLATE (TWELVE SCREWS) ETC.
4. HARDWARE FOR 1/2 IN. DRIVE, NOT SHOWN FOR CLARITY.

**NOTES: UNLESS OTHERWISE SPECIFIED**

DATE	BY	CHKD BY	APP'D BY
	ARIK		
DWG. INSTALL 2D			





NOTE: THIS SET TO ATTACH TO REAR COVER OF NTS RACK AFTER BACK IS INSTALLED INTO CABINET.

DISK DRIVE ASSEMBLY SUPPLIED WITH DISK DRIVE 3.5 INCH 5 1/4" BAY. SEE PART 1 REQUIREMENTS FOR PARTS.

1. DISK DRIVE, ANY WITH OUTLINE, DISK DRIVE SIZE FOR 1/2 IS IDENTICAL.
2. ADD LOCATOR MARK ON DR-DRIFT TO INDICATED SCREEN THROUGH.
3. TORQUE TO 0.1 IN/LBS.
4. TORQUE REQUIREMENTS: SEE P. 1-1000.

NOTES: UNLESS OTHERWISE SPECIFIED.

DATE	BY	CHKD	INSTR
10/10/00	ARX		
ARX			
DWG INSTALL DD			
A1000			

STEP 1  
 INSTALLATION OF DISK DRIVE  
 MOUNTING RACK

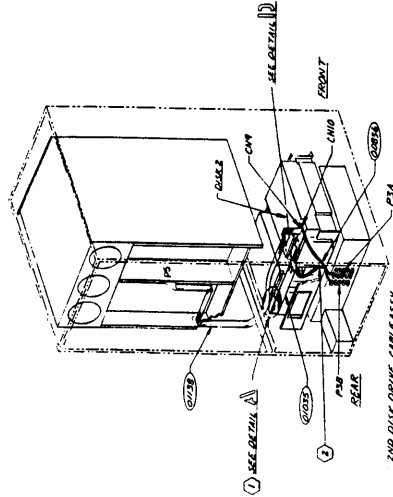
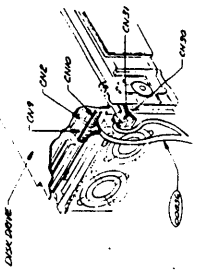
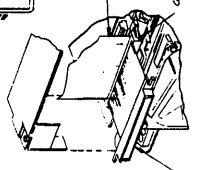
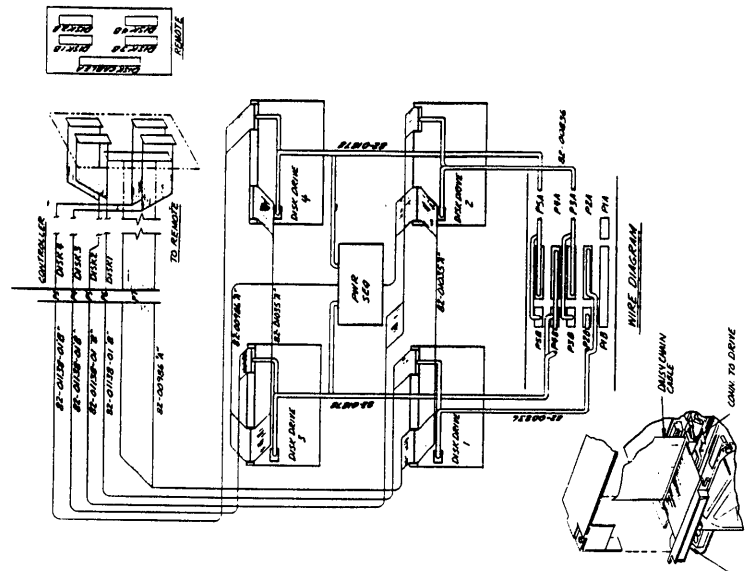
STEP 2  
 INSTALLATION OF DISK DRIVE FRONT  
 COVER ON MOUNTING RACK

STEP 3  
 INSTALLATION OF COMPLETE NTS RACK  
 INTO CABINET

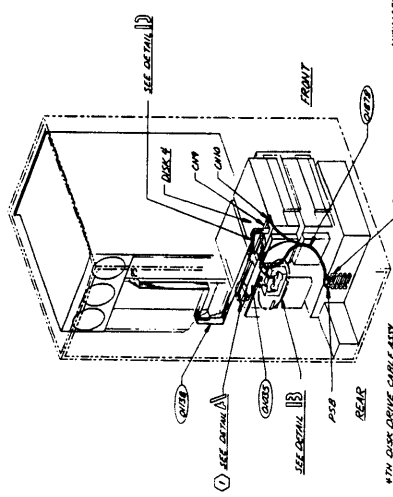
REV	DATE	BY	CHKD	DESCRIPTION
1				ISSUED FOR CONSTRUCTION
2				REVISED TO SHOW CHANGES
3				REVISED TO SHOW CHANGES
4				REVISED TO SHOW CHANGES

REV	DATE	BY	CHKD	DESCRIPTION
1				ISSUED FOR CONSTRUCTION
2				REVISED TO SHOW CHANGES
3				REVISED TO SHOW CHANGES
4				REVISED TO SHOW CHANGES

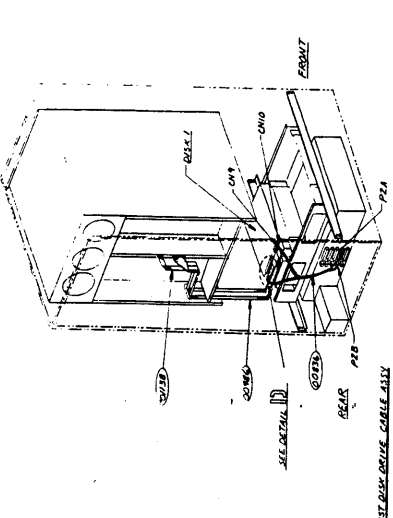
1. USE ALL CABLE WITH BEST METHOD OF TAPPING/TERMINATION. SECONDARY TAPPING SHOULD BE DONE BY THE MANUFACTURER OF THE CABLE. ALL CABLES MUST BE USED AS SPECIFIED. UNLESS OTHERWISE SPECIFIED.



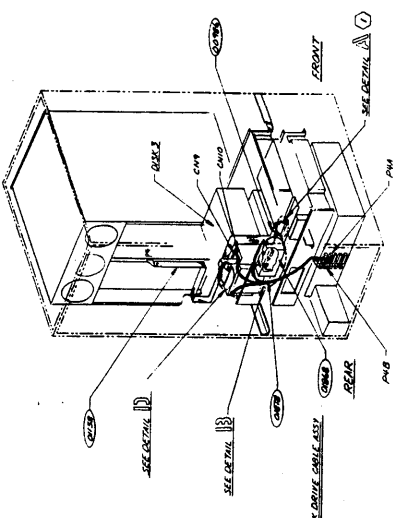
NOTES: (FOR 2ND DRIVE ASSEMBLY)  
 1. REMOVE TERMINATORS (SEE DETAIL A)  
 2. USE CENTER-CONDUCTOR THROUGH ANY OTHER DRIVE



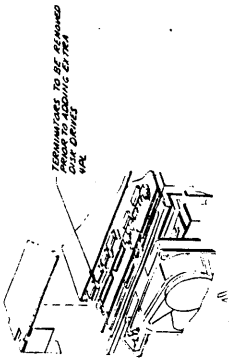
NOTES: (FOR 3RD DRIVE ASSEMBLY)  
 1. REMOVE TERMINATORS (SEE DETAIL A)  
 2. USE ONLY (SEE-DRIVE) THROUGH ANY OTHER DRIVE



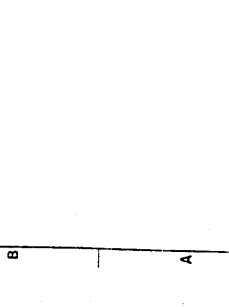
NOTES: (FOR 1ST AND 3RD DRIVE ASSEMBLY)  
 1. REMOVE TERMINATORS (SEE DETAIL A)  
 2. IN 1ST DISK DRIVE



NOTES: (FOR 4TH DRIVE ASSEMBLY)  
 1. REMOVE TERMINATORS (SEE DETAIL A)  
 2. TERMINATORS TO BE REMOVED FROM DISK DRIVE 4



TERMINATORS TO BE REMOVED FROM DISK DRIVE 4



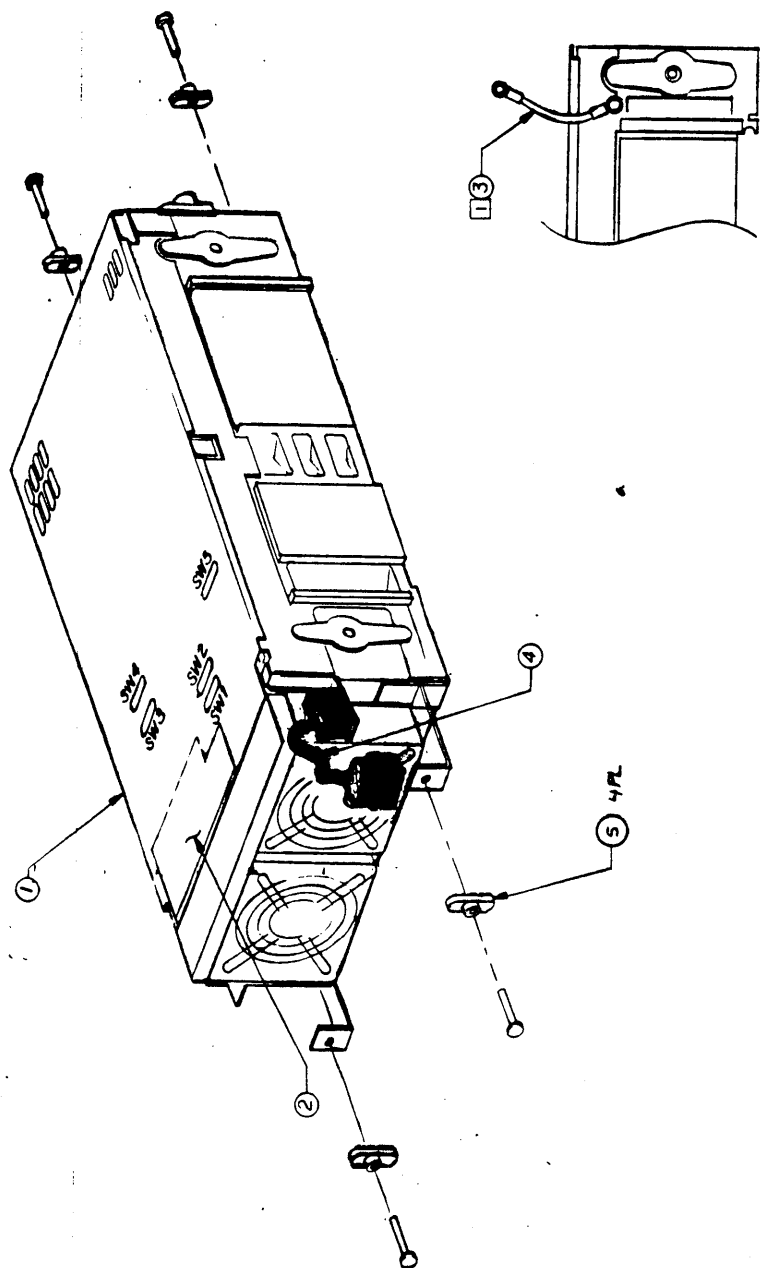
TERMINATORS TO BE REMOVED FROM DISK DRIVE 4

**DATE:** May 13, 1991

**MODEL 875 ASSY DSK DR 824 MB MOD W/ADPT PART NUMBER 81-04459**

<b>PART NUMBER</b>	<b>DESCRIPTION</b>	<b>REF.</b>	<b>QUANTITY</b>
28-04251-00	DRIVE DISK 824MB 8" W/FAN FUJ	1	1
52-04458-00	LBL DSK CONFIG 824MB 8" FUJI	2	1
82-00691	ASSY CBL DSK GND	3	1
82-02806-00	ASSY CBL FAN ADPTR DD	4	1
42-00468	STOPPER VIBRATION FUJI	5	4
AD-04459-XX	DWG ASSY DISK DR 824MB MOD	300	0

78-04459-X3 21A	
A	PROD. BY PER ECO - 1061
B	REVISED PER ECO - 1116
	DATE 2-27-88
	BY DH



VIEW A-A  
NOT TO SCALE

DASH	DISK DRIVE
NO	W/ADAPTER CABLE
-01	W/ADAPTER CABLE
-02	W/ADAPTER CABLE

BY R. PHILLIPS	7/12/88					
DESIGNED						
APPROVED						
DATE						
REVISED						
<b>ARBIT</b>						
ASSEMBLY						
DISK DRIVE 824 MB						
MODIFIED						
UNLESS OTHERWISE SPECIFIED:						
DIMENSIONS IN INCHES						
TOLERANCES UNLESS OTHERWISE SPECIFIED:						
FRACTIONS DECIMALS						
SEE L/M						

NOTES  
 INSTALL ONLY ON 81-04459-01

**DATE:** May 13, 1991

**MODEL 875 KIT DISK DR MNT MAXI 1/3 PART NUMBER 88-01589**

<b>PART NUMBER</b>	<b>DESCRIPTION</b>	<b>REF.</b>	<b>QUANTITY</b>
36-00466	SCR PAN PH STL M4X10MM	1	4
36-00563	SCR EXSEM PAN PH 8-32X3/8	2	21
36-00565	SCR EXSEM PAN PH 10-32X3/8	3	8
36-00568	WSHR FLT STL #8 3/8 1/32	4	8
36-00569	WSHR FLT STL #10 7/16 .06	5	4
36-01136	WSHR SPLTLCK STL #8	6	4
51-00470-00	RAIL SUPT DSK DR RT	7	1
51-00470-01	RAIL SUPT DSK DR LT	8	1
51-00688-00	BRKT DSK MNT MAXI RT	9	1
51-00688-01	BRKT DSK MNT MAXI LT	10	1
51-00690	PLT DSK DR FR MAXI	11	1
51-01052-00	BRKT DSK MNT MAXI INNER OPSIT	12	1
51-01053	PLT DSK DR RR MAXI	13	1
04-01137	ADHESIVE LOCTITE SEALANT 242	14	1

**DATE:** May 13, 1991

**MODEL 875 KIT CBLS DSK DR 1ST PART NUMBER 88-03839**

<b>PART NUMBER</b>	<b>DESCRIPTION</b>	<b>REF.</b>	<b>QUANTITY</b>
30-00767	CLAMP CBL FLT	0	6
36-00591	CABLETIE MINI 18LB NYL 4"	0	6
36-00598	CABLEMNT NYL SQ 1"	0	6
82-00836	ASSY HARN PWR DSK	0	1
82-00986	ASSY CBL DSK LOG A1	0	1
82-01138-01	ASSY CBL DSK LOG B MAXI	0	1

**DATE:** May 11, 1991

**MODEL 875 KIT GC16/SYNC-ASYNC IF NUMBER 88-04494**

<b>PART NUMBER</b>	<b>DESCRIPTION</b>	<b>REF.</b>	<b>QUANTITY</b>
80-02206-02-A	PCBASSY GC16 1MB	0	1
80-02208-02-D	PCBASSY RS232 14AS/2S/1P 4X18	0	1
88-04302-00	KIT TERM GC16 14AS/2S	0	1

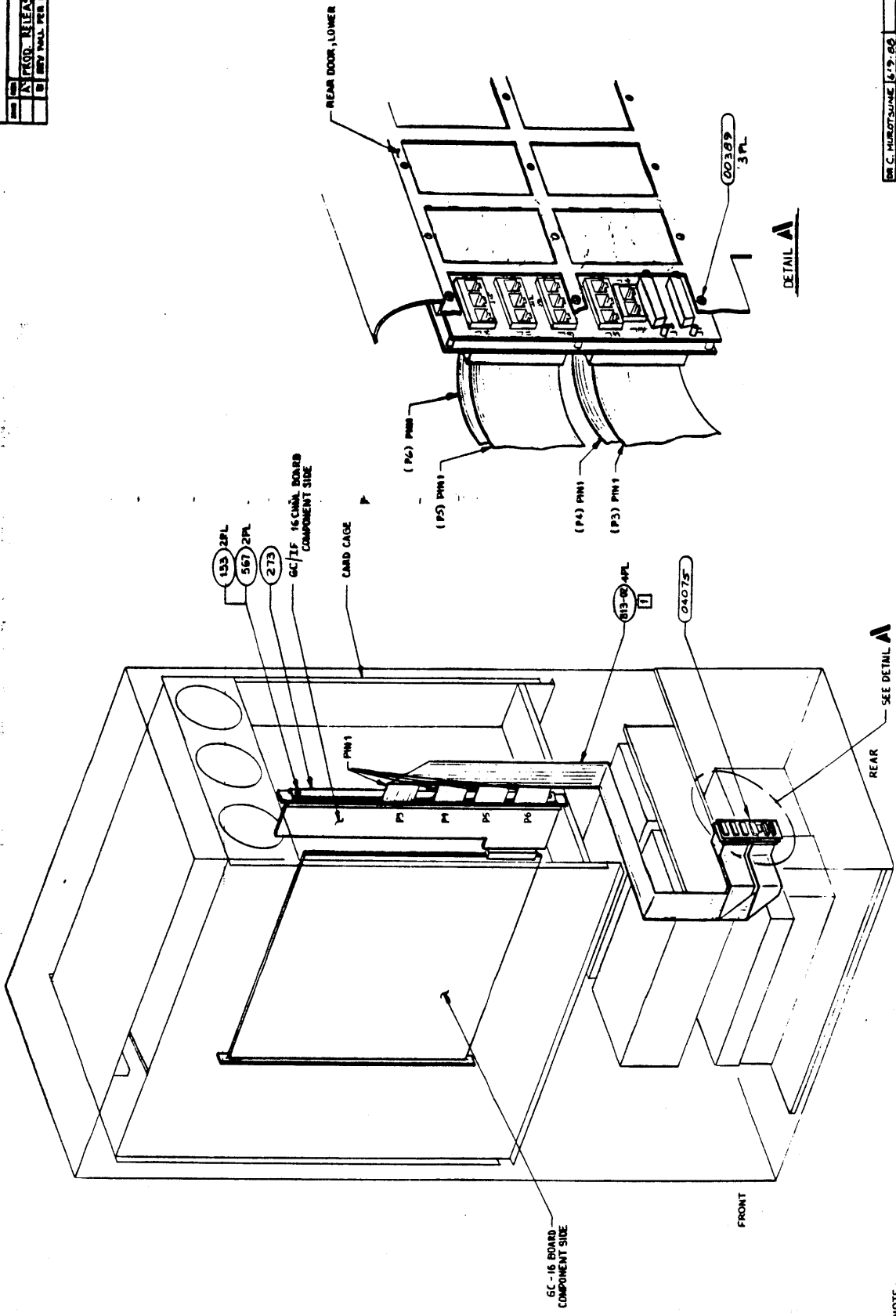
**DATE:** May 13, 1991

**MODEL 875 KIT TERM GC16 14AS/2S PART NUMBER 88-04302**

<b>PART NUMBER</b>	<b>DESCRIPTION</b>	<b>REF.</b>	<b>QUANTITY</b>
30-00767	CLAMP CBL FLT	0	6
36-00153	SCR EXSEM PAN PH 6-32X3/8	0	2
36-00389	SCR EXSEM PAN PH 4-40X3/16	0	3
36-00567	WSHR FLT STL #6 3/8 1/32	0	2
36-00591	CABLETIE MINI 18LB NYL 4"	0	6
36-00598	CABLEMNT NYL SQ 1"	0	6
51-00273	CLAMP CBL DT/9T INTRF	0	1
80-04075-00-A	PCBASSY I/O CONN BD 14AS/2S	0	1
82-00813-02	ASSY CBL GC INTFC 50C 78"	0	4
AD-04302-00	DWG ASSY KIT GC16 14AS/2S	0	0
IP-04302-00	PROC INSTL GC16 RJ-12/DB-25	0	1



REV	DATE	BY	APP'D
1	10/20/66	J.F.	J.F.
2	11/22/66	J.F.	J.F.
3	12/14/66	J.F.	J.F.
4	1/10/67	J.F.	J.F.
5	2/10/67	J.F.	J.F.
6	3/10/67	J.F.	J.F.
7	4/10/67	J.F.	J.F.
8	5/10/67	J.F.	J.F.
9	6/10/67	J.F.	J.F.
10	7/10/67	J.F.	J.F.
11	8/10/67	J.F.	J.F.
12	9/10/67	J.F.	J.F.



DETAIL A

NOTE:  
 [1] BEST METHOD OF CABLE ROUTING & DRESSING TO BE DETERMINED BY MFG.  
 SECURE CABLES USING CABLE TIE (59), CABLE TIE MOUNT (58) OR FLAT  
 CABLE CLAMP (67) WHERE NEEDED.

DR. C. HURLOT-SUINCE	6-9-66	REV ASBY	DATE	REV
REVISION				
<b>ARBELE</b>				
KIT, GC - 16 -				
14 A 4 7 2 5				
UNLESS OTHERWISE SPECIFIED: MATERIALS SHALL BE AS SHOWN ON DRAWING UNLESS OTHERWISE SPECIFIED				

**DATE:** May 11, 1991

**MODEL 875 FNL 875 W/CACHE CHAR PART NUMBER 94-02288**

<b>PART NUMBER</b>	<b>DESCRIPTION</b>	<b>REF.</b>	<b>QUANTITY</b>
02-00531	STRIP GROMMET .071THK	0	1.5
02-00740	STRIP GROMMET .105THK	0	1
03-00724	GASKET WIRE MESH .25 IN SQ	0	4
03-01160	TAPE FOAM 1/4X1/2 VYNL BLK	0	5.5
03-01611	TAPE POLY 1/2" DBL SIDED WHT	0	1.5
28-02108-03	DRIVE TAPE 9T 220V CHAR	0	1
30-00767	CLAMP CBL FLT	0	4
30-00776	CONN KIT MTG D FEM SCRLCK 4-4	0	2
30-00777	CONN COV D 25P	0	2
36-00153	SCR EXSEM PAN PH 6-32X3/8 ZI	0	16
36-00154	NUT KEP 4-40	0	22
36-00563	SCR EXSEM PAN PH 8-32X3/8 ZI	0	52
36-00564	SCR EXSEM PAN PH 8-32X5/8 ZI	0	1
36-00565	SCR EXSEM PAN PH 10-32X3/8 ZI	0	32
36-00567	WSHR FLT STL #6 3/8 1/32	0	27
36-00568	WSHR FLT STL #8 3/8 1/32	0	21
36-00569	WSHR FLT STL #10 7/16 .06	0	18
36-00570	NUT KEP 6-32	0	1
36-00591	CABLETIE MINI 18LB NYL 4"	0	15
36-00598	CABLEMNT NYL SQ 1"	0	12
36-00599	SCR EXSEM PAN PH 1/4-20X3/4 Z	0	14
36-01034	STNDOFF RND NYL .156X.187X1/4	0	2
36-01203	CABLETIE INTMD 40LB NYL 11"	0	8
36-01225	WSHR SPLTLCK 1/4 BR	0	4
36-01226	NUT HEX 1/4-20 BRASS	0	4
36-01338	SCR EXSEM PAN PH 10-32X1/2 ZI	0	2
36-01340	SCR FLT PH STL 4-40X3/8 ZI	0	4
36-01344	NUT TINNERMAN 10-32	0	2
36-06824-00	SCR EXSEM PAN PH 4-40X3/8 ZI	0	22
42-01204	WIRE COV DUCT 3" PVC	0	1.5

**DATE:** May 11, 1991

**MODEL 875 FNL 875 W/CACHE CHAR PART NUMBER 94-02288**

<b>PART NUMBER</b>	<b>DESCRIPTION</b>	<b>ITEM</b>	<b>QUANTITY</b>
42-01205	WIRE DUCT 3X4 PVC	0	1.5
51-00934-03	PLT I/O BLANK DK CHAR	0	11
51-01157	COV ACC FILTER MAXI PI	0	1
51-01172	FILTER AIR MAXI PI	0	1
51-01363	RETRACTOR CABLE EXP CAB PI	0	1
51-01365	EXTENSION CBL RETRACT EXP CAB PI	0	1
51-01367	BRKT CBL RET CIPHER EXP CAB PI	0	1
51-01620	MNT FR 1600PS1 PI	0	2
51-01621	MNT RR 1600PS1 PI	0	2
51-01784	PLT ISOLATOR REAR PI	0	1
51-01785	PLT ISOLATOR PI	0	1
51-01786-00	BRKT PLT ISOLTR RT 1600 PI	0	1
51-01786-01	BRKT PLT ISOLTR LT 1600 PI	0	1
51-01787	GSK DOOR SEAL 1600PS1 PI	0	1
51-01796	MNT ANGLE CARD CAGE 1600PS1 PI	0	4
51-01797-00	RAIL SUPT CARD CAGE 1600PS1 R PI	0	1
51-01797-01	RAIL SUPT CARD CAGE 1600PS1 L PI	0	1
51-01798	COV CARD CAGE 1600PS1 PI	0	1
51-01801	BRKT SIDE MOLDING 1600PS1 PI	0	2
51-01802-03	MOLDING SIDE 1600 DK CHAR	0	2
51-01803-03	MOLDING UPPER 1600 DK CHAR	0	1
52-01026	SHIELD MB MAXI PI	0	1
81-01154	ASSY FAN MAXI AIR INTAKE	0	1
81-01808	ASSY CARD CAGE 1600PS1	0	1
81-01809-08	ASSY CAB 1600 CHAR ARIX	0	1
81-01816	ASSY AC AUX MODULE	0	1
81-04757-00	ASSY PCM/PWR SUP MAXI 1800W	0	1
82-00794	ASSY CBL CONSOLE PI	0	2
82-00837	ASSY HARN PWR CARD CAGE PI	0	1
82-00839	ASSY HARN 5V POWER II MAXI PI	0	1

**DATE:** May 11, 1991

**MODEL 875 FNL 875 W/CACHE CHAR PART NUMBER 94-02288**

<b>PART NUMBER</b>	<b>DESCRIPTION</b>	<b>ITEM</b>	<b>QUANTITY</b>
82-00973	ASSY CBL PNL FR II PI	0	1
82-00974	ASSY CBL CTRL LOG II PI	0	1
82-01804-01	ASSY CBL 9T CIPHER 1600PSI	0	1
82-01804-02	ASSY CBL 9T CIPHER 1600PSI	01	
88-00254-01	KIT SHIP MAXI AR	0	1
88-03169-18	KIT TRIM LT CHAR MAR 1600 ARI	0	1

**DATE:** May 13, 1991

**MODEL 875 ASSY FAN MAXI AIR INTAKE PART NUMBER 81-01154**

<b>PART NUMBER</b>	<b>DESCRIPTION</b>	<b>REF.</b>	<b>QUANTITY</b>
03-01160	TAPE FOAM 1/4X1/2 VYNL BLK	1	3
36-00498	SCR EXSEM PAN PH 6-32X1/4	2	4
36-00562	SCR EXSEM PAN PH 6-32X1/2	4	4
36-00567	WSHR FLT STL #6 3/8 1/32	5	4
36-00570	NUT KEP 6-32	6	8
36-00591	CABLETIE MINI 18LB NYL 4"	7	1
36-00598	CABLEMNT NYL SQ 1"	8	1
44-01170	FINGERGUARD FOR 6.75" RND FAN	9	2
51-01156	HOUSING FAN MAXI	10	1
51-01158	SCREEN FAN MAXI	11	1
81-01171	ASSY FAN WIRING	12	2
36-00636	SCR EXSEM PAN PH 6-32X3/4	13	4

**DATE:** May 13, 1991

**MODEL 875 ASSY FAN WIRING PART NUMBER 81-01171**

<b>PART NUMBER</b>	<b>DESCRIPTION</b>	<b>REF.</b>	<b>QUANTITY</b>
02-00557	TUBING SHRINK 3/8" BLK	1	1.4
30-00751	CONN CONT MT&LCK M #24-18 .04	2	2
30-01173	CONN HSG MT&LCK 2C CAP PNL	3	1
44-01169	FAN 230VAC 205CFM 6"DIA	4	1

**DATE:** May 13, 1991

**MODEL 875 ASSY CARD CAGE 1600PSI PART NUMBER 81-01808**

<b>PART NUMBER</b>	<b>DESCRIPTION</b>	<b>REF.</b>	<b>QUANTITY</b>
02-00740	STRIP GROMMET .105THK	1	2
36-00153	SCR EXSEM PAN PH 6-32X3/8	2	6
36-00498	SCR EXSEM PAN PH 6-32X1/4	3	8
36-00516	SCR EXSEM PAN PH 8-32X1/4	4	2
36-00563	SCR EXSEM PAN PH 8-32X3/8	5	71
36-00568	WSHR FLT STL #8 3/8 1/32	6	10
36-00591	CABLETIE MINI 18LB NYL 4"	7	3
36-00598	CABLEMNT NYL SQ 1"	8	3
51-00232	BRACE MOTHERBOARD MAXI	9	1
51-00233	PLT GUIDE MAXI LWR	10	1
51-00234	PLT GUIDE MAXI UPR MAIN	11	1
51-00235	PLT GUIDE MAXI UPR REAR	12	1
51-00272	BRACE VERTICAL CARD CAGE	13	1
51-01058	PLT CARD CAGE FLR LOG	19	2
51-01059	PLT CARD CAGE FLR INTRF	20	1
51-01066	BRKT HEAT SENSOR	21	2
80-00017	PCBASSY MAIN BD MAXI	22	1
81-02917-00	ASSY HT SNSR CC60	26	1
81-02918-00	ASSY HT SNSR PWR SUP CC55	27	1
82-01886	ASSY HARN ANNUN 1600PS1	28	1
51-01619	PNL DISPLAY 1600PS-1	29	1
51-01795-00	PLT CARD CAGE END 1600PS1	30	1
51-01795-01	PLT CARD CAGE END 1600PS1	31	1
80-00992	PCBASSY DISPLAY	32	1
81-01807	ASSY FAN 1600PS1	33	1

**DATE:** May 13, 1991

**MODEL 875 ASSY HT SNSR CC60 PART NUMBER 81-02917**

<b>PART NUMBER</b>	<b>DESCRIPTION</b>	<b>REF.</b>	<b>QUANTITY</b>
24-02812-02	SWITCH THERMAL SPST-NC 60DEG	1	1
30-01078	CONN COUPLER MALE #22-18	2	2



**DATE:** May 13, 1991

**MODEL 875 ASSY HT SNSR PWR SUP C55 PART NUMBER 81-02918**

<b>PART NUMBER</b>	<b>DESCRIPTION</b>	<b>REF.</b>	<b>QUANTITY</b>
24-02812-01	SWITCH THERMAL SPST-NC 55DEG	1	1
30-01078	CONN COUPLER MALE #22-18	2	2

**DATE:** May 13, 1991

**MODEL 875 ASSY FAN 1600PSI PART NUMBER 81-01807**

<b>PART NUMBER</b>	<b>DESCRIPTION</b>	<b>REF.</b>	<b>QUANTITY</b>
27-00350	FAN 24VDC 105CFM 4.69X4.69W/T	1	3
27-00508	FAN FINGERGUARD 4.12X4.12 UL	2	3
36-00561	SCR EXSEM PAN PH 6-32X5/8	3	12
36-00570	NUT KEP 6-32	4	12
51-01799	CHASSIS FAN MTG 1600PS1	5	1

**DATE:** May 13, 1991

**MODEL 875 ASSY CAB 1600 CHAR ARIX PART NUMBER 81-01809**

<b>PART NUMBER</b>	<b>DESCRIPTION</b>	<b>REF.</b>	<b>QUANTITY</b>
03-00724	GASKET WIRE MESH .25 IN SQ	1	3.2
03-00725	GASKET WIRE MESH .19 IN SQ	2	8
04-00727	ADHESIVE ACCEL TAKPAK	4	.2
04-01137	ADHESIVE LOCTITE SEALANT 242	5	.1
04-01252	ADHESIVE LOCTITE WHT MAX	6	.2
36-00569	WSHR FLT STL #10 7/16 .06	7	2
36-00572	NUT KEP 3/8-16	8	4
36-06824-00	SCR EXSEM PAN PH 4-40X3/8	9	24
36-02245	SCR PNL BLK 10-32 1-1/2	10	2
36-02510-00	RTNG RING EXT 3/16"	11	2
36-01671	WSHR SPLTLCK 5/16	12	16
36-01672	NUT HEX 5/16-18	13	16
36-01760	RIVET POP 1/8 .063-.125 ST DM	14	24
40-00486	FOOT LEVELING	15	4
44-00479	KEYLOCK 1-3/16"L 90DEG CAM	16	2
44-00721	LATCH FLUSH W/O LCK CHROME	17	2
44-01598	CASTER SWIVEL	18	0
44-03527-00	CASTER SWIVEL	18	2
44-01599	CASTER RIGID	19	0
44-03528-00	CASTER RIGID	19	2
51-00935-03	CABINET MAXI DK CHAR	20	1
51-00930-08	COV TOP MAXI LT CHAR	21	1
51-00933-03	DOOR LWR RR MAXI DK CHAR	22	1
51-00932-03	DOOR UPR RR MAXI DK CHAR	23	1
51-01737-03	HINGE DOOR RR UPR DK CHAR	24	1
51-01738-03	HINGE DOOR RR LWR DK CHAR	25	1
51-01800-03	HINGE DOOR FR 1600 DK CHAR	26	1
51-01806-03	DOOR FR 1600 DK CHAR	30	1
51-01783-02	GSK RFI MESH CLIP 39 1/4 IN	32	1
51-01783-03	GSK RFI MESH CLIP 33 5/8 IN	33	1

**DATE:** May 13, 1991

**MODEL 875 ASSY CAB 1600 CHAR ARIX PART NUMBER 81-01809**

<b>PART NUMBER</b>	<b>DESCRIPTION</b>	<b>ITEM</b>	<b>QUANTITY</b>
51-01783-04	GSK RFI MESH CLIP 20 1/8 IN	34	2
51-01783-05	GSK RFI MESH CLIP 19 IN	35	1
51-01783-06	GSK RFI MESH CLIP 15 1/8 IN	36	1
51-01783-07	GSK RFI MESH CLIP 1 3/4 IN	37	1

**DATE:** May 13, 1991

**MODEL 875 ASSY AC AUX MODULE PART NUMBER 81-01816**

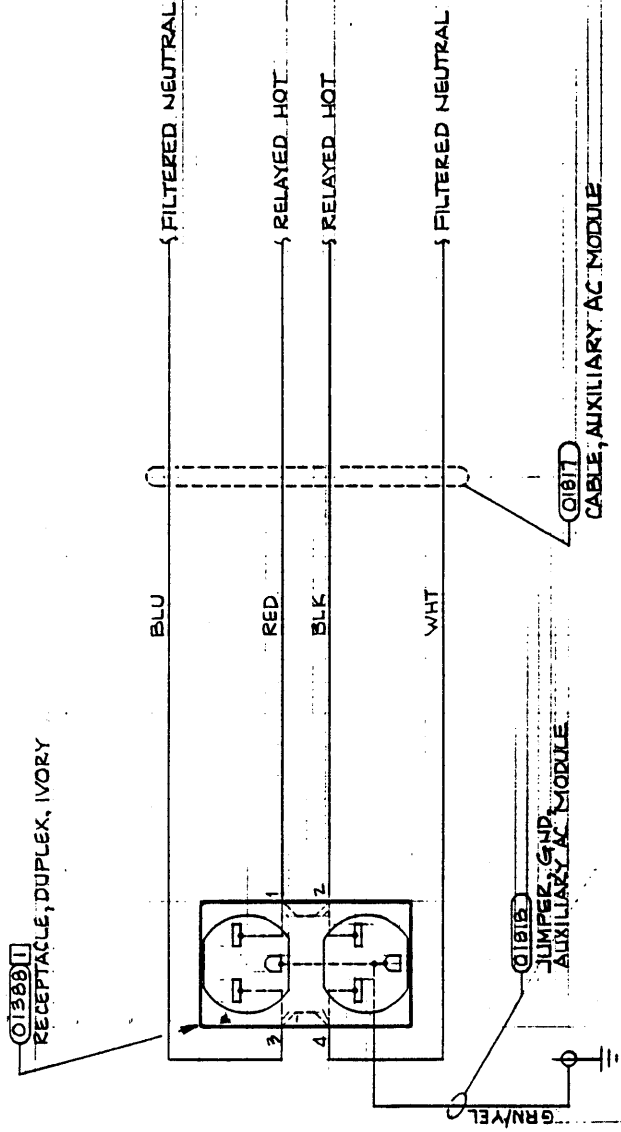
<b>PART NUMBER</b>	<b>DESCRIPTION</b>	<b>REF.</b>	<b>QUANTITY</b>
51-01815	HOUSING AC AUX MODULE	1	1
51-01814	BRKT AUX AC MODULE	2	1
82-01817	ASSY CBL AUX AC MOD	3	1
82-01818	ASSY JMPR AC AUX MODULE GND	4	1
36-00537	STRAIN RELIEF	5	1
27-01388	CONN PWR RECP DUPLEX IVORY	6	1
36-00153	SCR EXSEM PAN PH 6-32X3/8	7	4
36-00567	WSHR FLT STL #6 3/8 1/32	8	4
36-00517	NUT KEP 8-32	9	1
WD-01816	WIRE DIA AUX AC MOD	10	0

# AUXILIARY AC MODULE

3 2 1

REV		BY	DATE	DESCRIPTION	APPROV	DATE
A	22		3-18-82	PRDD RELEASE PER ERD 0440		4/3/82
B	EB		6-24-86	REVISED PER ECO 0511		8/14/86

DWG NO. WD-01816		SHT 1	REV B
------------------	--	-------	-------



## NOTES

1. VIEWED FROM FRONT
2. REFER TO LM-01816 & AD-01816
3. PIN NUMBERS SHOWN FOR REF ONLY
4. WIRE COLORS SHOWN FOR REF ONLY.

DR	DATE	REV	BY	DATE	DESCRIPTION
CA	1/5/86				
ME	2-24-86				

**XENO**

UNLESS OTHERWISE SPECIFIED:  
 MATERIALS FINISHES  
 DIMENSIONS IN INCHES  
 TOLERANCE SCALE

WIRING DIAGRAM  
 AUXILIARY AC MODULE

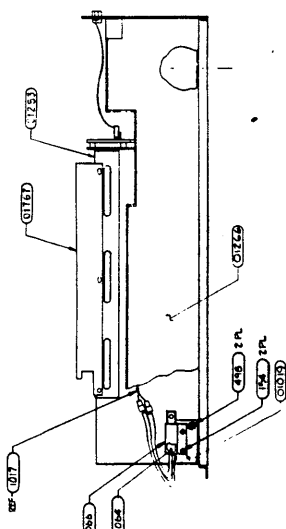
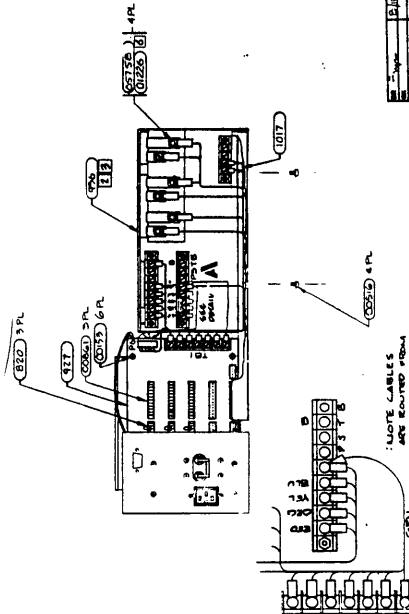
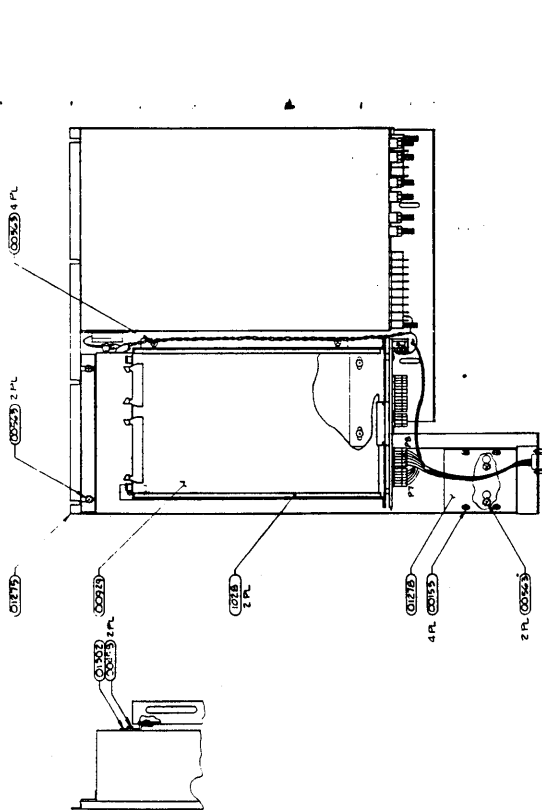
DWG NO. WD-01816  
 REV A

**DATE:** May 13, 1991

**MODEL 875 ASSY PCM/PWR SUP MAXI 1800W PART NUMBER 81-04757**

<b>PART NUMBER</b>	<b>DESCRIPTION</b>	<b>REF.</b>	<b>QUANTITY</b>
25-05758-00	PWR SUP SWTCHG 1800W SPI	0	1
30-00861	CONN RECP MTA 12C .156 #18	0	3
36-00153	SCR EXSEM PAN PH 6-32X3/8	0	10
36-00154	NUT KEP 4-40	0	2
36-00498	SCR EXSEM PAN PH 6-32X1/4	0	4
36-00516	SCR EXSEM PAN PH 8-32X1/4	0	4
36-00563	SCR EXSEM PAN PH 8-32X3/8	0	8
36-01225	WSHR SPLTLCK 1/4	0	6
36-01226	NUT HEX 1/4-20 BRASS	0	6
42-01028	CARDGUIDE PWR SUP	0	2
51-01019	PLT MNT HEAT SENSOR	0	1
51-01066	BRKT HEAT SENSOR	0	1
51-01275	CHASSIS PCM/PWR SUP MAXI	0	1
51-01278	PLT ACCESS PCM MAXI	0	1
51-01283	BRKT PWR CTRL LOG MNT MAXI	0	1
51-01302	SPRT PCL MTG BRKT	0	1
51-01767	COV PWR CTRL LOG	0	1
80-00927	PCBASSY DC DIST MAXI	0	1
80-00929	PCBASSY PWR CTRL LOG 3	0	1
81-01064	ASSY HT SNSR PWR SUP CC45	0	1
81-01266	ASSY PRI COMP MODULE MAXI	0	1
82-00820	ASSY JMPR MTA .156 LCK 1C	0	3
82-01017	ASSY HARN PWR SUP MAXI	0	1
AD-04757-00	DWG ASSY PCB/PWR SUP MX 1800W	0	0
WD-04757-00	WIRE DIA PCM/PWR SUP MX 1800W	0	0

REV.	DATE	BY	CHKD.	APP.	DESCRIPTION
1					ASSEMBLY
2					POWER SUPPLY 1800W

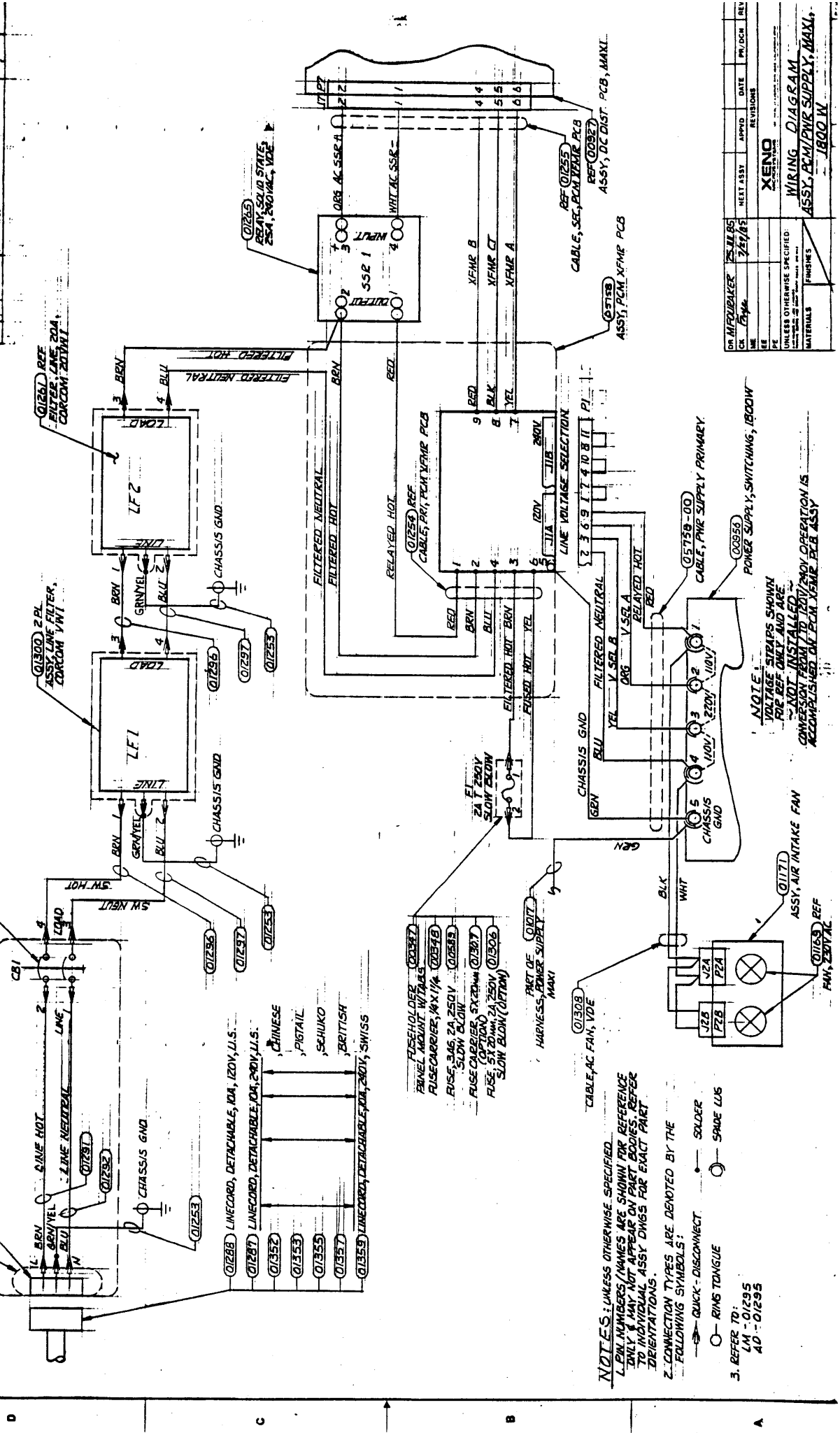


NOTES: UNLESS OTHERWISE SPECIFIED  
 1 REFER TO DIMENSIONS 4 AND 01.9'S  
 2 DIMENSIONS ARE SUPPLIED W/STANDARD POWER  
 3 DIMENSIONS ARE 2.5 IN/1.5 IN/1.5 IN  
 4 WIRE AT THE SOURCE USE 60 OF SPACE LINE MAY BE REMOVED BY  
 CUTTING IT FROM LINE, USE DIMENSIONS AS SHOWN  
 5 WIRE COLOURS SHOWN FOR REF ONLY  
 6 WIRE COLOURS SHOWN FOR REF ONLY  
 7 TIGHTEN TO 40.0 IN/1.5 IN/1.5 IN/1.5 IN/1.5 IN  
 8 REFER TO TORQUE REQUIREMENTS SPECIFICATION PS-99065.

11 C F E A C B A



REV NO.	WD-04157-DO	REV	1	INT
DATE	3-1-54	APPROV	WA	DATE
BY	JM	DESCRIPTION	PROD DEL PER ELO #1118	REV
			REVISED PER WDO #1444-A	1
			REVISED PER WDO #1444-A	2
			REVISED PER WDO #1444-A	3



**NOTES:** UNLESS OTHERWISE SPECIFIED:  
 1. PART NUMBERS/NAMES ARE SHOWN FOR REFERENCE ONLY & MAY NOT APPEAR ON PART BODIES. REFER TO INDIVIDUAL ASSY DWGS FOR EXACT PART IDENTIFICATIONS.  
 2. CONNECTION TYPES ARE DENOTED BY THE FOLLOWING SYMBOLS:  
 ○ QUICK-DISCONNECT    ○ SOLDER  
 ○ RING TONGUE    ○ SPADE LUG  
 3. REFER TO:  
 LM - 01295  
 AD - 01295

DR	MP/DRAK/KE	DESIGN	25/JLB	DATE	
CK	PMH	APP'D	25/JLB	REV	
ME					
EE					
PE					
REVISIONS					
XENO				DATE	
WIRING DIAGRAM					
ASSY, ACM/PMR SUPPLY, MAXI,					
1800 W					

**DATE:** May 13, 1991

**MODEL 875 ASSY HT SNSR PWR SUP CC45 PART NUMBER 81-01064**

<b>PART NUMBER</b>	<b>DESCRIPTION</b>	<b>REF.</b>	<b>QUANTITY</b>
24-01056	SWITCH THERMAL SPST-NC 45DEG	1	1
30-01078	CONN COUPLER MALE #22-18	2	2

**DATE:** May 13, 1991

**MODEL 875 ASSY PRI COMP MODULE MAXI PART NUMBER 81-01266**

<b>PART NUMBER</b>	<b>DESCRIPTION</b>	<b>REF.</b>	<b>QUANTITY</b>
02-00531	STRIP GROMMET .071THK	1	3
24-00347	FUSEHLDR PNL MNT W/TABS LO-PR	2	1
24-00348	FUSECARRIER SLTD 1-1/4X1/4 GR	3	1
24-00589	FUSE 3AG SLO-BLO 2.0A	4	1
27-01265	RELAY SOLID STATE 25A 250AC V P	5	1
36-00153	SCR EXSEM PAN PH 6-32X3/8	6	11
36-00517	NUT KEP 8-32	7	3
36-00562	SCR EXSEM PAN PH 6-32X1/2	8	4
36-00570	NUT KEP 6-32	9	10
36-00591	CABLETIE MINI 18LB NYL 4"	10	1
36-00598	CABLEMNT NYL SQ 1"	11	1
51-01277	COV PRI COMP MOD MAXI	12	1
51-01276	CHASSIS PRI COMP MODULE MAXI	13	1
51-01279	SHIELD FILTER MAXI	14	1
52-01244	LBL FUSE WARNING	15	1
52-01285	LBL CHASSIS GROUND	16	1
52-01301	LBL FUSE SYMBOL	17	1
80-01241	PCBASSY PDCM XFMR	18	1
81-01286	ASSY BREAKER PLATE	19	1
81-01300	ASSY LINEFILTER	20	2
82-01256	ASSY CBL PWR SUP PRI	21	1
82-01296	ASSY JMPR #14 .25/.25 BRN 14"	22	2
82-01297	ASSY JMPR #14 .25/.25 BLU 14"	23	2
52-01345	LBL 120/240 VAC WARNING	24	1

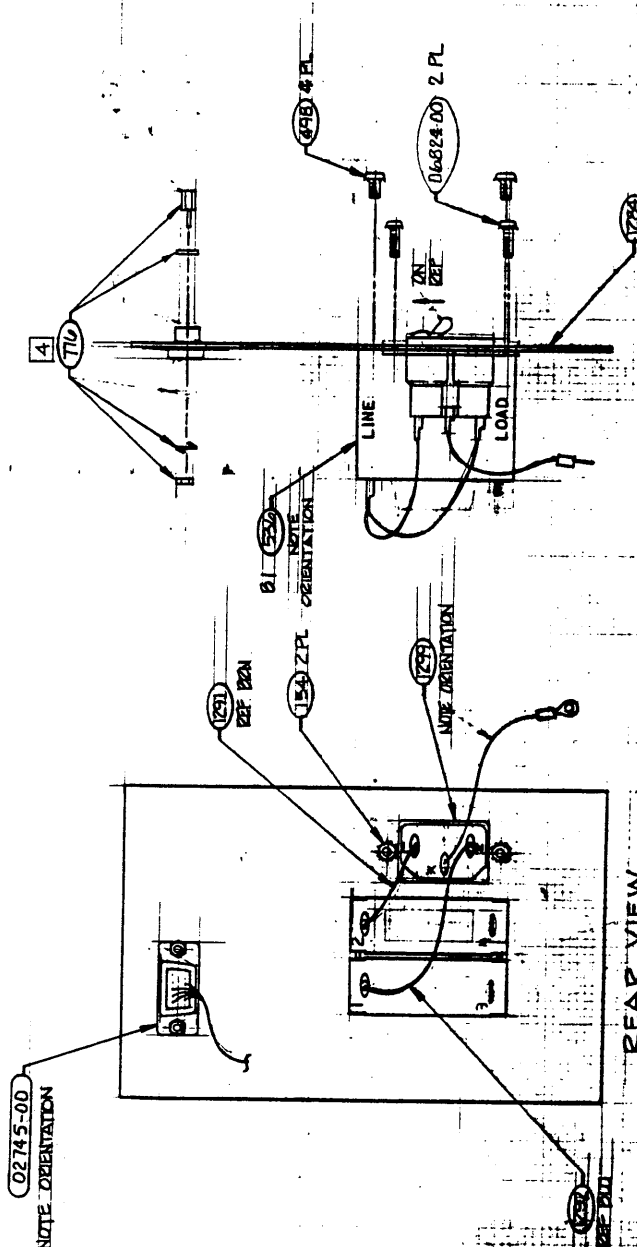
**DATE:** May 13, 1991

**MODEL 875 ASSY BREAKER PLATE PART NUMBER 81-01286**

<b>PART NUMBER</b>	<b>DESCRIPTION</b>	<b>REF.</b>	<b>QUANTITY</b>
24-00536	CKTBRKR 2CCT 15A PI	1	1
30-00776	CONN KIT MTG D FEM SCRLCK 4-4	2	1
36-00154	NUT KEP 4-40	3	2
36-00498	SCR EXSEM PAN PH 6-32X1/4 ZI	4	4
36-06824-00	SCR EXSEM PAN PH 4-40X3/8 ZI	5	2
51-01284	PLT BREAKER PI	6	1
81-01299	ASSY AC RECEPTACLE	7	1
82-02745-00	ASSY HARN UPS STAT	8	1
82-01291	ASSY JMPR #14 -25 BRN 5" PI	9	1
82-01292	ASSY JMPR #14 .25/.25 BLU 5" PI	10	1
AD-01286	DWG ASSY BREAKER PLATE	300	0

**ASSY, BREAKER PLATE**

REV	BY	DATE	DESCRIPTION	APPVD	DATE
A	PEA	11 SEP 85	RELEASE PER ECO # 293	M	11/18
B	CC	10-28-85	DOC. CHANGE PER ECO 0337		11/18
C	CM	8-5-87	REVISED PER ECO 0787		8/14/87
D	RL	4-30-90	REVISED PER ECO 1651		5/1/90
	DL	8-1-90	REVISED PER ECO # 1082		8/1/90



**REAR VIEW**

- NOTE: UNLESS OTHERWISE SPECIFIED:
1. REFER TO LIST OF MAT. - DM-01286.
  2. REFER TO WIRING DIAG. NO. - 01293, - 01294, - 01295.
  3. PIN NAMES/NUMBERS ARE FOR REFERENCES ONLY.
  4. MAY NOT APPEAR ON PART BODIES.
  5. DISCARD UNUSED WASHERS.

REV	BY	DATE	DESCRIPTION	APPVD	DATE
A	MF	23 JUL 85			

**XERO**

**ASSEMBLY**

**BREAKER PLATE**

SCALE: NONE

AD-01286

**DATE:** May 13, 1991

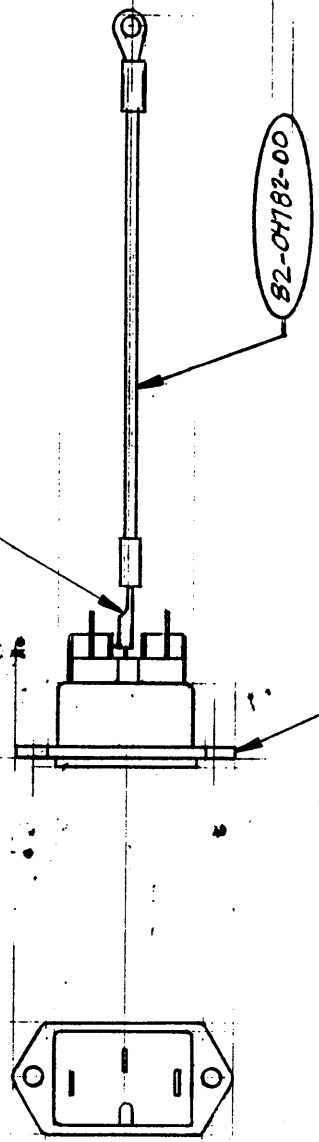
**MODEL 875 ASSY AC RECEPTACLE PART NUMBER 81-01299**

<b>PART NUMBER</b>	<b>DESCRIPTION</b>	<b>REF.</b>	<b>QUANTITY</b>
30-01258	CONN PWR RECP 120C 10A VDE	1	1
82-04782-00	ASSY JMPR GND PCM 4" PI	2	1
AD-01299	DWG ASSY AC RECEPTABLE	300	0

DWG NO. AD-01299 SHT REV B

REV	BY	DATE	DESCRIPTION	APPVD	DATE
A	PEA	11 SEP 85	RELEASE PER ECO 0293	[Signature]	10/23/85
B	AV	3-2-88	REVISED PER ECO # 1144	JDA	3-11-88

SOLDER TAB RECEPTACLE TO GROUND TAB



NOTE ORIENTATION

NOTES: UNLESS OTHERWISE SPECIFIED:

1. REFER TO LIST OF MATL - LM-01299

DR	MFOURAKER	30 JUL 85							
CK									
ME									
EE									
PE									
UNLESS OTHERWISE SPECIFIED:			XENO MICROSYSTEMS						
DIMENSIONS IN			123 CHARCOT AVENUE SAN JOSE CALIFORNIA 95131						
TOLERANCE			ASSY						
MATERIALS			AC RECEPTACLE						
FINISHES									
SCALE			NONE						
DWG NO.			2						
REV									

**DATE:** May 13, 1991

**MODEL 875 ASSY LINEFILTER PART NUMBER 81-01300**

<b>PART NUMBER</b>	<b>DESCRIPTION</b>	<b>REF.</b>	<b>QUANTITY</b>
17-01261	LINE FLTR VDE 20VW1 PI	1	1
82-01253	ASSY JMPR PCM GND PI	2	1



**DATE:** May 11, 1991

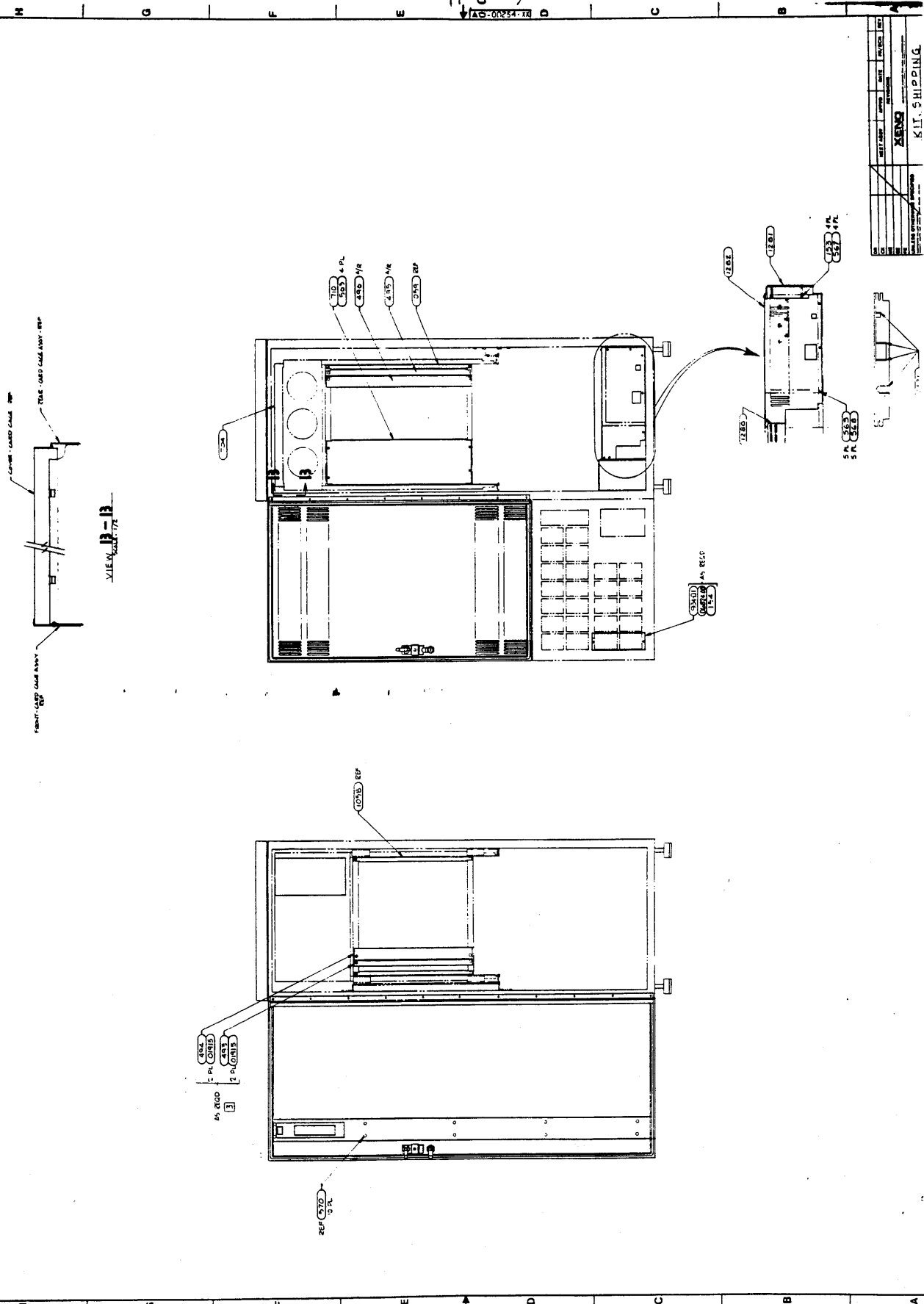
**MODEL 875 KIT SHIP MAXI PART NUMBER 88-00254**

<b>PART NUMBER</b>	<b>DESCRIPTION</b>	<b>REF.</b>	<b>QUANTITY</b>
02-00531	STRIP GROMMET .071THK	0	.75
04-01252	ADHESIVE LOCTITE WHT MAX	0	.1
36-00153	SCR EXSEM PAN PH 6-32X3/8 ZI	0	4
36-00154	NUT KEP 4-40	0	26
36-00563	SCR EXSEM PAN PH 8-32X3/8	0	9
36-00567	WSHR FLT STL #6 3/8 1/32	0	8
36-00568	WSHR FLT STL #8 3/8 1/32	0	5
36-01915	SCR SEM SQCON PH 6-32X3/8	0	18
36-06824-00	SCR EXSEM PAN PH 4-40X3/8	0	26
42-01315	LABEL TUV	0	1
51-00493	PLT LOGIC BLANK 1POS	0	6
51-00494	PLT LOGIC BLANK 2POS	0	5
51-00495	PLT INTRF BLANK 1POS	0	3
51-00496	PLT INTRF BLANK 2POS	0	3
51-00710	COV CARD CAGE RR MAXI	0	1
51-01280	SHIELD PWR SUP MAXI LEFT	0	1
51-01281	SHIELD PWR SUP MAXI RIGHT	0	1
51-01282	SHIELD PWR SUP MAXI MAIN	0	1
52-00891	LBL FCC	0	1
52-00892	LBL UL	0	1
52-00893	LBL CSA	0	1
52-02559-00	LBL ACCESS RESTRICTION	0	1
52-04190-00	LBL SERIAL NUMBER ARIX	0	1
52-06855-00	FORM CUSTOMER RESPONSE	0	1
AD-00254-XX	DWG ASSY KIT SHIP MAXI	0	0
MD-04190-00	DWG MOD LBL SERIAL NUMBER	0	0

AD-00259-201  
Kit Shipping Maxi

2 of 2

REV	NO	DATE	BY	APP	DESC
1	1	11/20/72	XXX		KIT, SHIPPING



VIEW 1-1

- 1 PL GNIS
- 1 PL GNIS
- 1 PL GNIS
- 1 AS BGD

REV	NO	DATE	BY	APP	DESC
-----	----	------	----	-----	------



**SERIAL NUMBER LABEL**

Draw No. MD-04190-00 Rev. 1 A

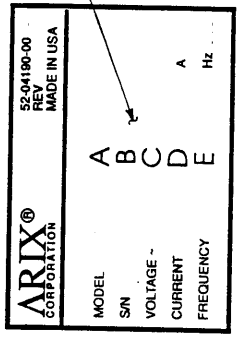
REV	DATE	APPROVED
1	6-5-90	LJD

2

3

4

Line	A Model	B Serial Number	C Voltage	D Current	E Frequency	Notes
800 - 110 V	800	See Note 1	120 V	12	5060	
800 - 220 V	800	See Note 1	208-240 V	10	5060	
800 Peripheral Expansion - 110V	800/EXP	See Note 1	120 V	12	5060	
800 Peripheral Expansion - 220 V	800/EXP	See Note 1	208-240 V	10	5060	
825 - 110 V	825	See Note 1	120 V	12	5060	
825 - 220 V	825	See Note 1	208-240 V	10	5060	
850	850	See Note 1	208-240 V	8	5060	
875	875	See Note 1	208-240 V	10	5060	
900 - 110 V	900	See Note 1	120 V	12	5060	
900 - 220 V	900	See Note 1	208-240 V	8	5060	
1100 - 110 V	1100	See Note 1	120 V	10	5060	
1100 - 220 V	1100	See Note 1	208-240 V	8	5060	
1200	1200	See Note 1	208-240 V	8	5060	
1200 Peripheral Expansion	1200/EXP	See Note 1	208-240 V	10	5060	
1600	1600	See Note 1	208-240 V	10	5060	
System90/40	System90 Model 40	See Note 1	208-240 V	24	5060	
System90/80	System90 Model 80	See Note 1	208-240 V	24	5060	
System90/25 - 110V	System90 Model 25	See Note 1	100 - 120 V	16	5060	
System90/25 - 220 V	System90 Model 25	See Note 1	208-240 V	12	5060	
System90/45	System90 Model 45	See Note 1	208-240 V	24	5060	Note 2.
System90/85	System90 Model 85	See Note 1	208-240 V	24	5060	Note 3.
System90 Peripheral Expansion	System90/EXP	See Note 1	208-240 V	24	5060	
System90/25 Peripheral Expansion - 110 V	25EXP	See Note 1	100 - 120 V	12	5060	
System90/25 Peripheral Expansion - 220 V	25EXP	See Note 1	208-240 V	10	5060	
SCSI Device Tray - 110 V	SCSI DEV TRAY	See Note 1	120 V	7	5060	
SCSI Device Tray - 220 V	SCSI DEV TRAY	See Note 1	208-240 V	4	5060	



**Notes:**

1. Use the Serial Number assigned to the individual system or cabinet.
2. A System90/45 is a single cabinet system or the main cabinet of a System90/85.
3. A System90/85 is the I/O expansion cabinet in a System90/85 or an add-on I/O expansion cabinet for a System90/45.
4. Using the information from the table which is appropriate to the product, indelibly print each line of the model/serial number label.

Dwg No. MD-04190-00

DR	T. NEALE	5-18-90	APP'D	DATE	PR/DCN	REV
ME		5-18-90				
EE						
PE						

ARIX CORPORATION

UNLESS OTHERWISE SPECIFIED:  
DIMENSIONS ARE IN INCHES AND DECIMALS THEREOF  
FINISHES

MODIFICATION DRAWING,  
SERIAL NUMBER LABEL

DWG NO. TOL. SCALE

**DATE:** May 11, 1991

**MODEL 875 KIT TRIM LT CHAR PART NUMBER 88-03169**

<b>PART NUMBER</b>	<b>DESCRIPTION</b>	<b>ITEM</b>	<b>QUANTITY</b>
36-00570	NUT KEP 6-32	1	8
51-01829-02	CHANNEL FR 1600 LT CHAR MAR	3	1
52-02797-00	LBL DIAGNOSTIC/CONSOLE	4	1