

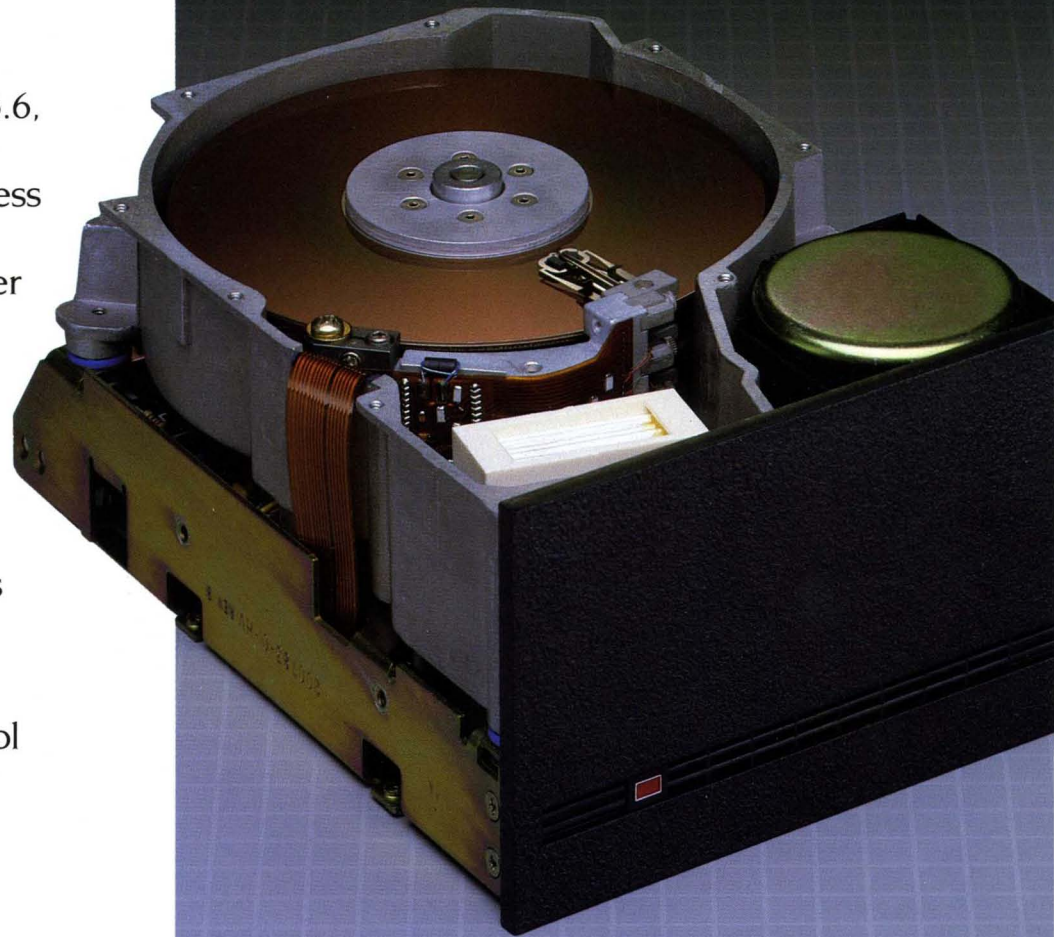


**COMPUTER
MEMORIES**
Incorporated

5¼" Winchester Disk Drive

CM 6000 FEATURES:

- Unformatted capacity of 26.6, 40 and 53.3 megabytes
- 39 millisecond average access time
- Closed loop servo positioner
- Proven Winchester technology
- Identical mounting to standard 5¼" floppy drives
- Interface compatible with readily available controllers
- Internal microprocessor
- Step-pulse buffering
- Head velocity profile control
- Optimized temperature compensation
- Automatic head lock
- All electronics and motors located outside clean area
- Head parking zone



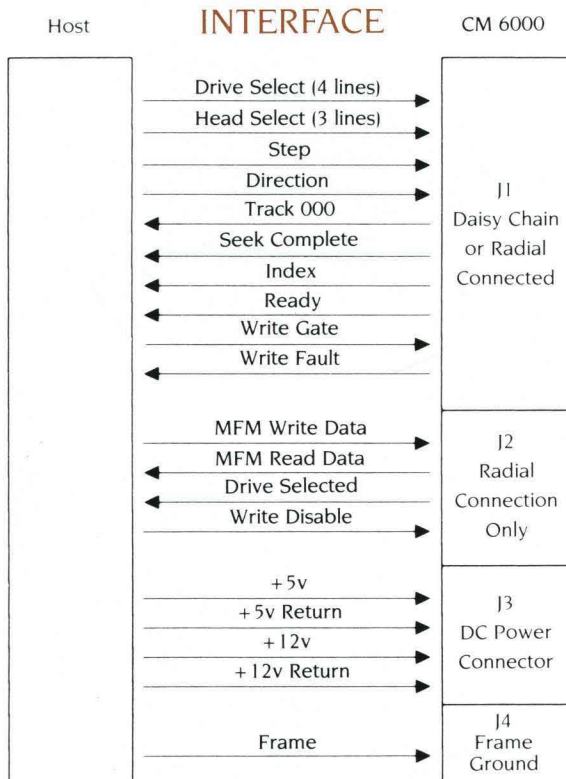
CM 6000 SERIES

CM 6000 Series disk drive product information

Computer Memories CM 6000 series of Winchester technology disk drives offers storage capacities of 26.6, 40 and 53 megabytes all with average access time of under 40 msec. By means of a combination of Winchester technology and proven design techniques, the OEM is assured of the ultimate in quality and reliability.

In order to ease system integration, the CM 6000 has the same physical dimensions and mounting hole locations as a standard 5¼" floppy disk drive. DC voltage requirements are also the same as a mini-floppy drive thus enabling the use of a single power supply for both types of drives.

The high capacities of the CM 6000 are achieved by the utilization of a closed loop servo positioning system, on-board microprocessor, and manganese-zinc heads. The combinations of the swing-arm actuator, associated electronics, and head allow the CM 6000 to achieve a track density of 750TPI.



CM 6000

Performance Specifications:

Capacity:	CM 6426	CM 6640	CM 6853
<i>Unformatted:</i>			
Per Drive	26.6 Mbytes	40 Mbytes	53.3 Mbytes
Per Surface	6.6 Mbytes	6.6 Mbytes	6.6 Mbytes
Per Track	10.4 Kbytes	10.4 Kbytes	10.4 Kbytes
<i>Formatted:</i>			
Per Drive	20.9 Mbytes	31.5 Mbytes	41.9 Mbytes
Per Surface	5.24 Mbytes	5.24 Mbytes	5.24 Mbytes
Per Track	8.2 Kbytes	8.2 Kbytes	8.2 Kbytes
Per Sector (32 sectors)	256 bytes	256 bytes	256 bytes

Density:

Recording Density	9275 bpi	9275 bpi	9275 bpi
Track Density	750 tpi	750 tpi	750 tpi
Cylinders	640	640	640
Recording Surfaces	4	6	8
Tracks	2560	3840	5120
R/W Heads	4	6	8
Disks	2	3	4

Functional Specifications:

Rotational Speed	3573 rpm	3573 rpm	3573 rpm
Transfer Rate	5Mbits/sec	5Mbits/sec	5Mbits/sec
<i>Access Time (includes settle time)</i>			
Track to Track	9 msec	9 msec	9 msec
Average	39 msec	39 msec	39 msec
Maximum	75 msec	75 msec	75 msec
Average Latency	8.3 msec	8.3 msec	8.3 msec

Physical Specifications:

<i>Environmental Limits</i>	
Ambient Temperature	50°F to 122°F (10°C to 50°C)
Relative Humidity	8% to 80% non-condensing
Temperature Variation	18°F (10°C) hour
Altitude	10,000 ft. (3050cm)

DC Voltage:

+5V ± 5% 0.9A typical, 1.0A max
+12V ± 5% 1A typical, 3A seeking, 3.5A max

Mechanical Dimensions:

Height	3.25 in. (82.6 mm)
Width	5.75 in. (146.1 mm)
Depth	8.00 in. (203.2 mm)
Weight	5 lbs. (2.3 kg)

Reliability Specifications:

MTBF:	17,000 POH typical usage
PM:	Not required
MTTR:	less than 0.5 hour
<i>Error Rates:</i>	
Soft Read Errors:	1 per 10 ¹⁰ bits read
Hard Read Errors:	1 per 10 ¹² bits read
Seek Errors:	1 per 10 ⁶ seeks
Interface	ST/506/412

Computer Memories reserves the right to change specifications without notice.



Post Office Box 2740
9216 Eton Avenue, Chatsworth, California 91311
Telephone (818) 709-6445 TWX: 910 494-4834