

REVISIONS		
SYM	DESCRIPTION	DATE APPROVAL

TP1	SIGNAL	DIRECTION
PIN 1	SASTU	→

TP2	SIGNAL	DIRECTION
PIN 1	RESERVED	→
2	T2-	→
3	T6-	→
4	RSW-	→
5	INTER-	→
6	ODD-	→
7	WSW-	→
8	CST	→
9	T9-	→
10	T7-	→
11	GRD	→
12	GRD	→
13	T3-	→
14	T1-	→
15	T0	→
PIN 16	T10-	→

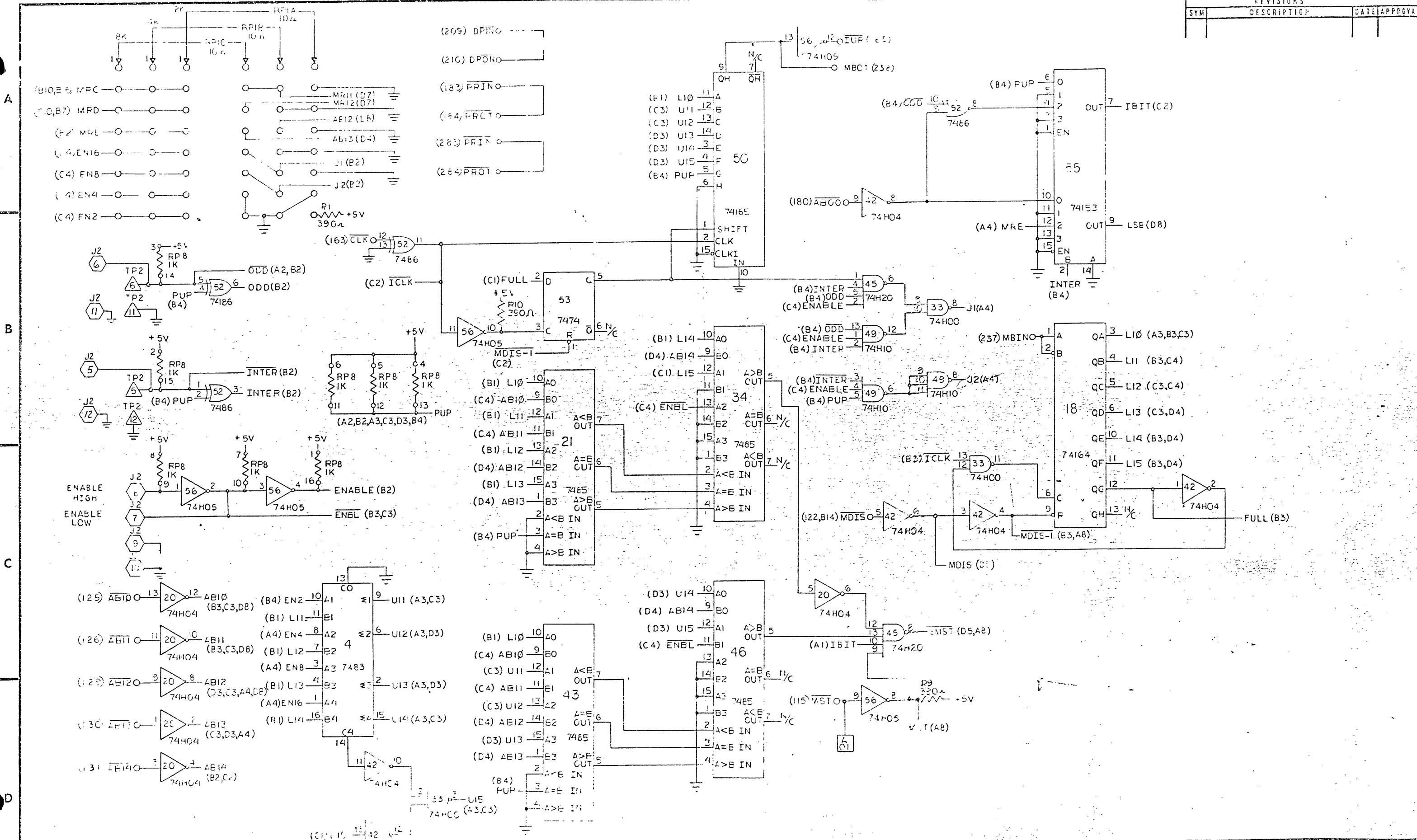
TP3	SIGNAL	DIRECTION
PIN 1	S12S	→
PIN 2	S12F	→

TP4	SIGNAL	DIRECTION
PIN 1	DRI7	→
2	DOS	→
3	DBI7-	→
4	DBI7-	→
5	DIS	→
6	SAI7-	→
7	GRD	→
8	GRD	→
9	PGD	→
10	SAI6-	→
11	DBI6-	→
12	DIS	→
13	DBI6-	→
14	DRI6	→
15	DOS	→
PIN 16	+5V	→

PROPRIETARY RIGHTS NOTICE
 THIS DOCUMENT AND INFORMATION THAT IT CONTAINS ARE THE PROPERTY OF COMPUTER AUTOMATION, INC. RIGHTS TO DUPLICATE OR OTHERWISE COPY THIS DOCUMENT AND RIGHTS TO DISCLOSE THE DOCUMENT AND SUCH INFORMATION TO OTHERS AND THE RIGHT TO USE THE INFORMATION CONTAINED THEREIN, MAY BE ACQUIRED ONLY BY WRITTEN PERMISSION SIGNED BY A DULY AUTHORIZED OFFICER OF COMPUTER AUTOMATION, INC.

SIZE	D	75-53504-XX	REV	C12
SCALE	=	SHT. 2 OF 9		

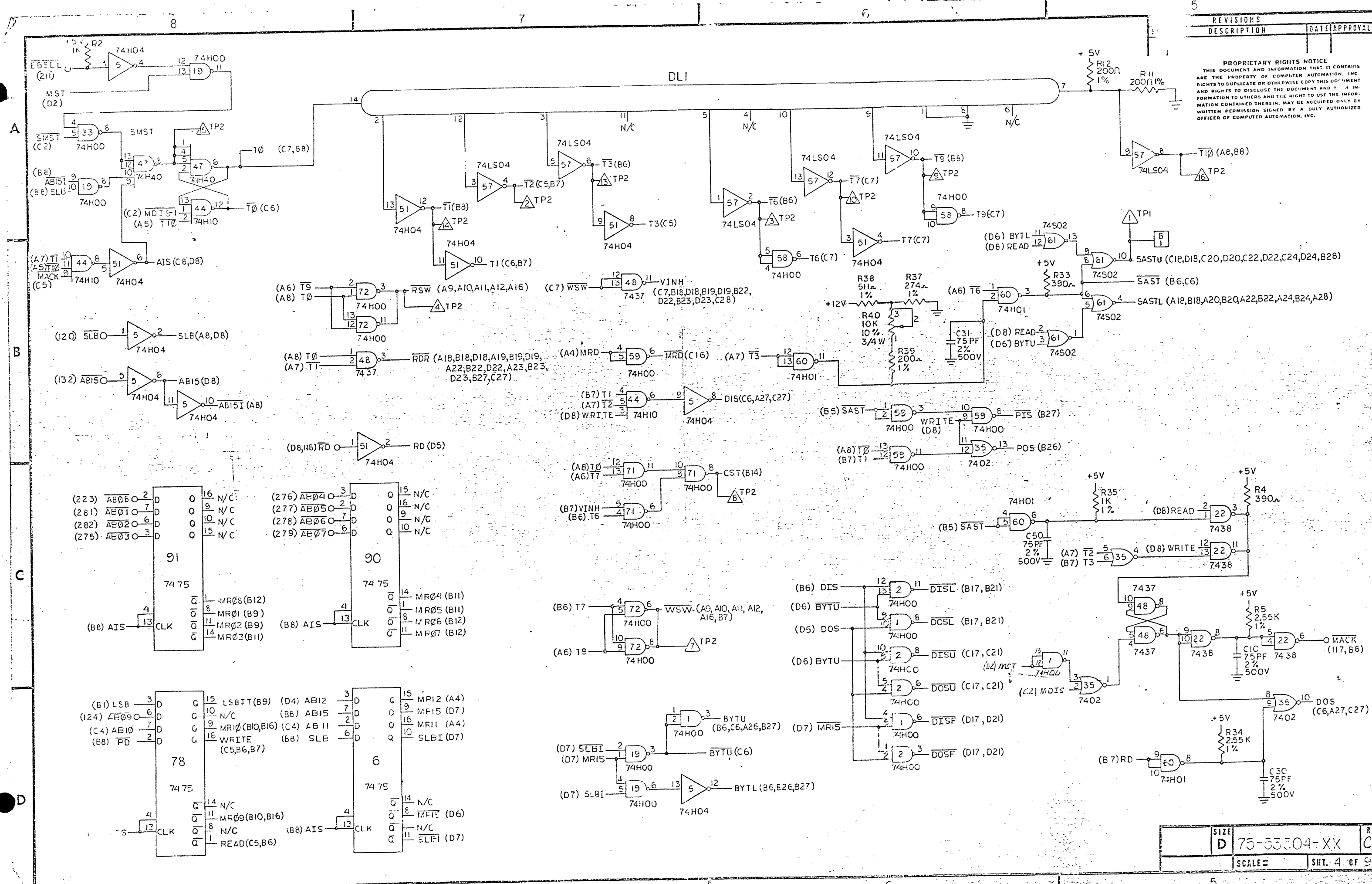
REVISIONS		
SYM	DESCRIPTION	DATE/APPVAL



SIZE	D	REV	01
75-53504-XX		SHT. 3 OF 9	

REVISIONS	
DESCRIPTION	DATE/APPROVAL

PROPRIETARY RIGHTS NOTICE
 THIS DOCUMENT AND INFORMATION THAT IT CONTAINS ARE THE PROPERTY OF COMPUTER AUTOMATION, INC. RIGHTS TO DUPLICATE OR OTHERWISE COPY THIS DOCUMENT AND RIGHTS TO DISCLOSE THE DOCUMENT AND INFORMATION TO OTHERS AND THE RIGHT TO USE THE INFORMATION CONTAINED THEREIN, MAY BE ACQUIRED ONLY BY WRITTEN PERMISSION SIGNED BY A DULY AUTHORIZED OFFICER OF COMPUTER AUTOMATION, INC.



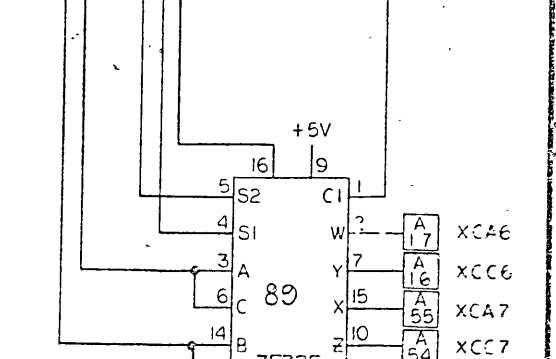
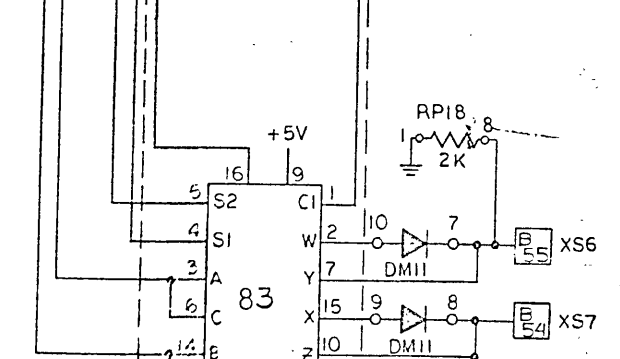
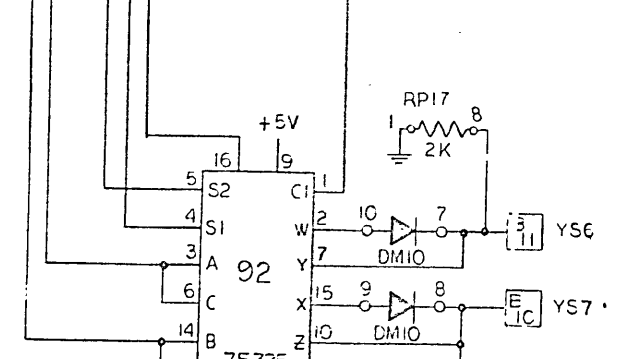
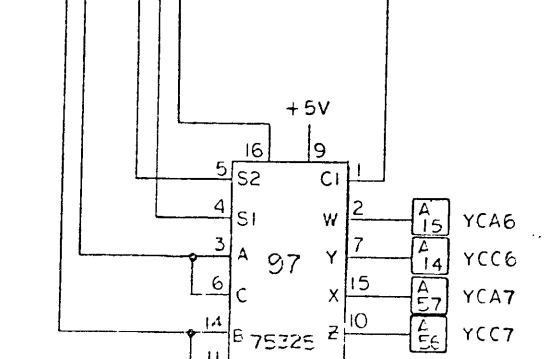
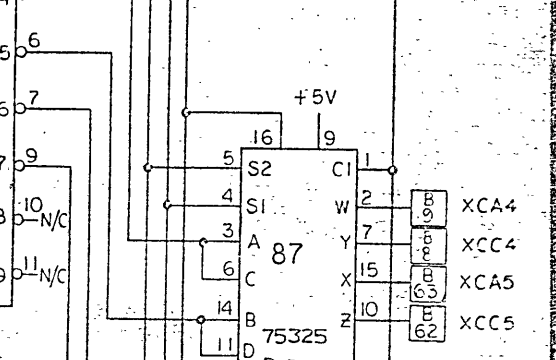
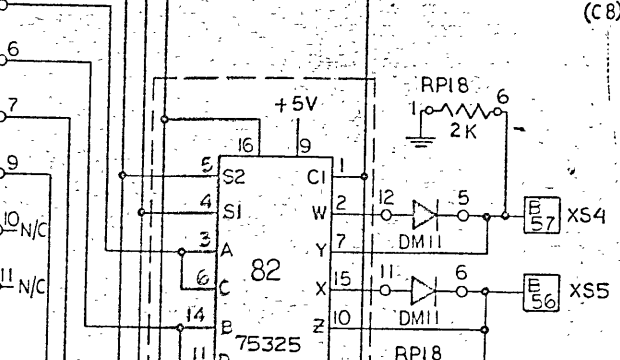
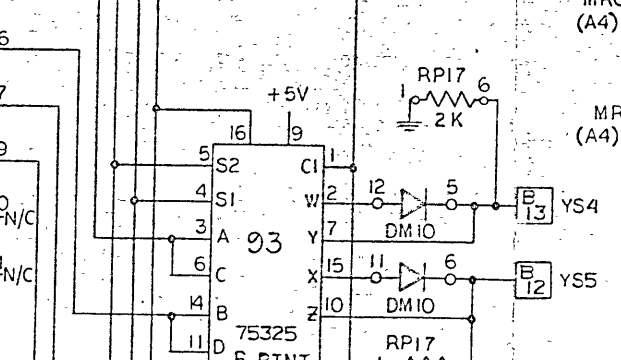
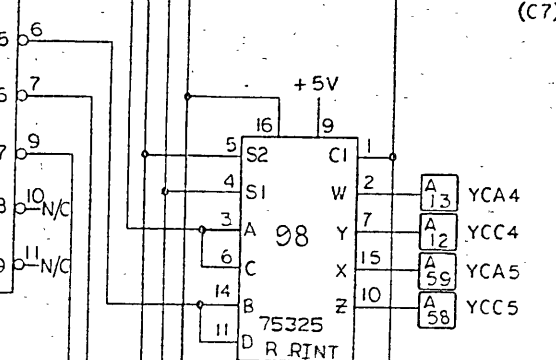
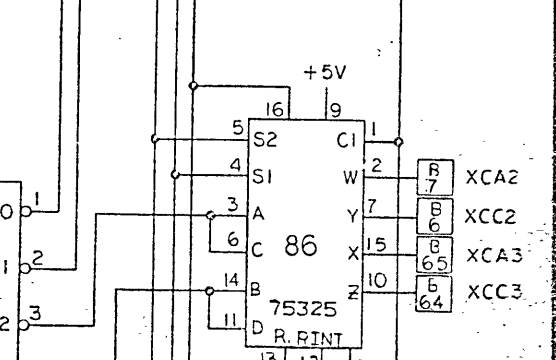
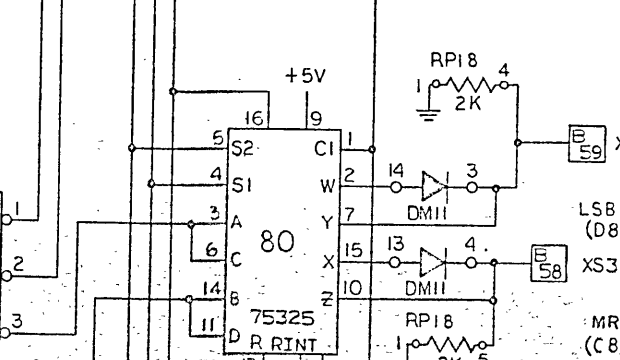
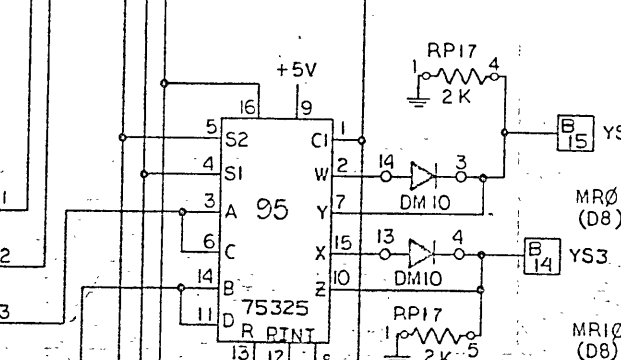
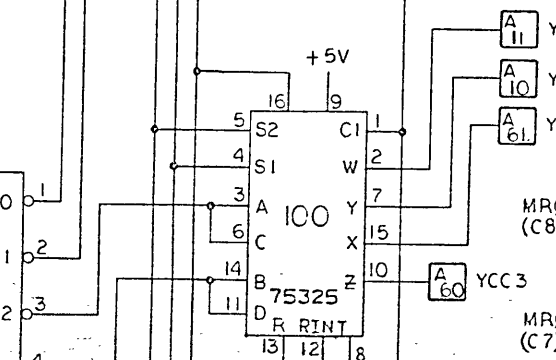
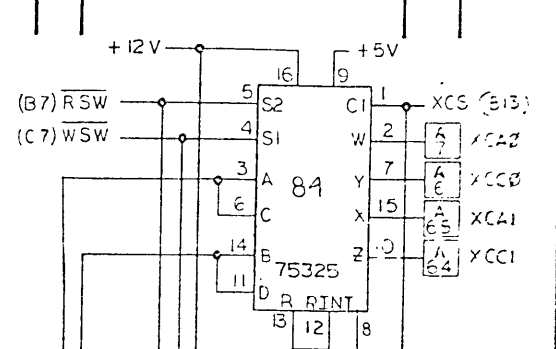
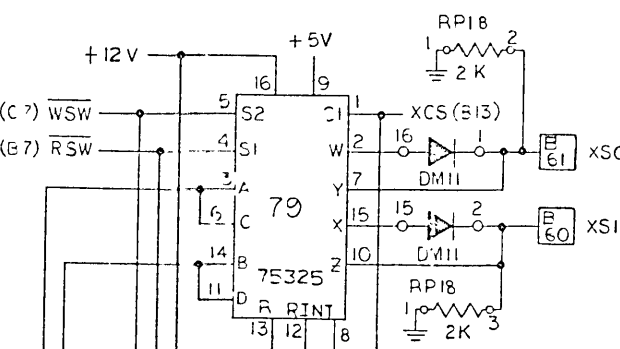
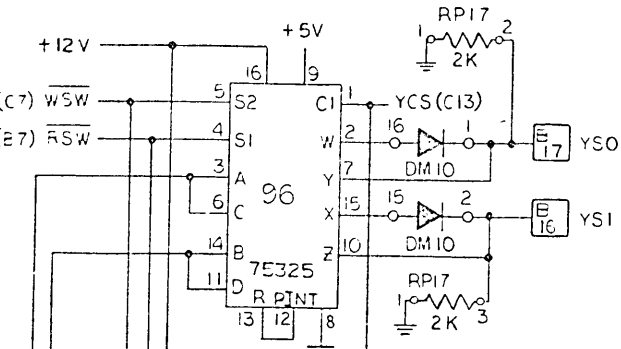
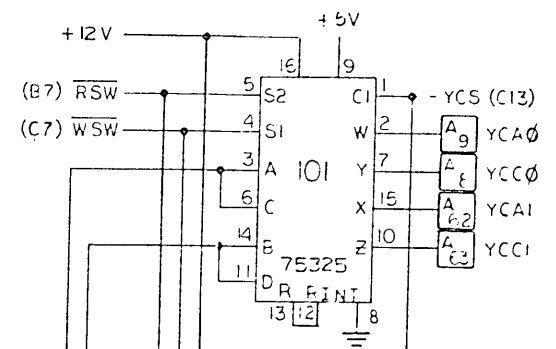
SIZE	D	75-53504-XX	REV	C12
SCALE			SHT.	4 OF 9

A

B

C

D



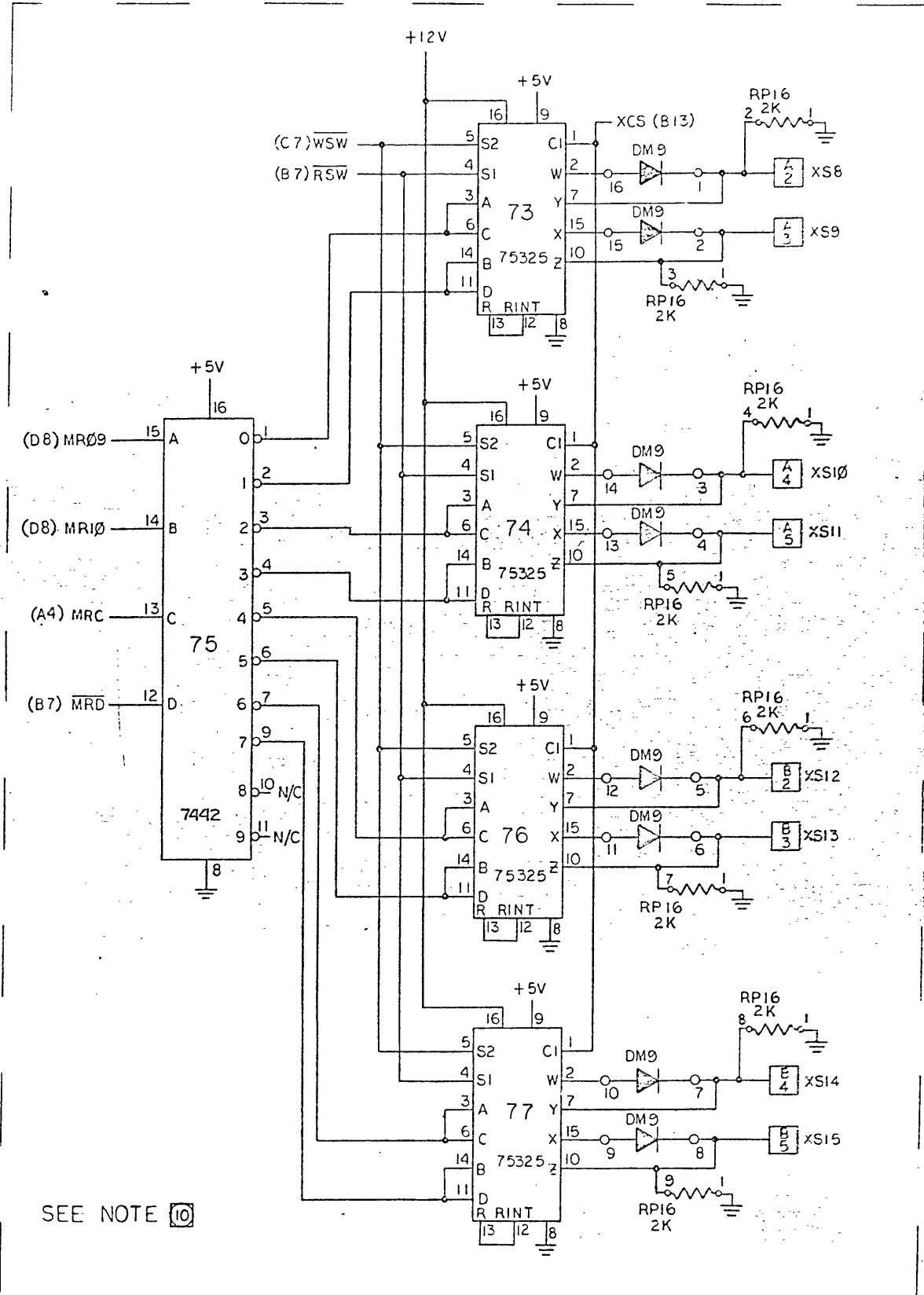
REVISIONS		DATE	APPROVAL
SYM	DESCRIPTION		

PROPRIETARY RIGHTS NOTICE
 THIS DOCUMENT AND INFORMATION THAT IT CONTAINS ARE THE PROPERTY OF COMPUTER AUTOMATION, INC. RIGHTS TO DUPLICATE OR OTHERWISE COPY THIS DOCUMENT AND RIGHTS TO DISCLOSE THE DOCUMENT AND SUCH INFORMATION TO OTHERS AND THE RIGHT TO USE THE INFORMATION CONTAINED THEREIN, MAY BE ACQUIRED ONLY BY WRITTEN PERMISSION SIGNED BY A DULY AUTHORIZED OFFICER OF COMPUTER AUTOMATION, INC.

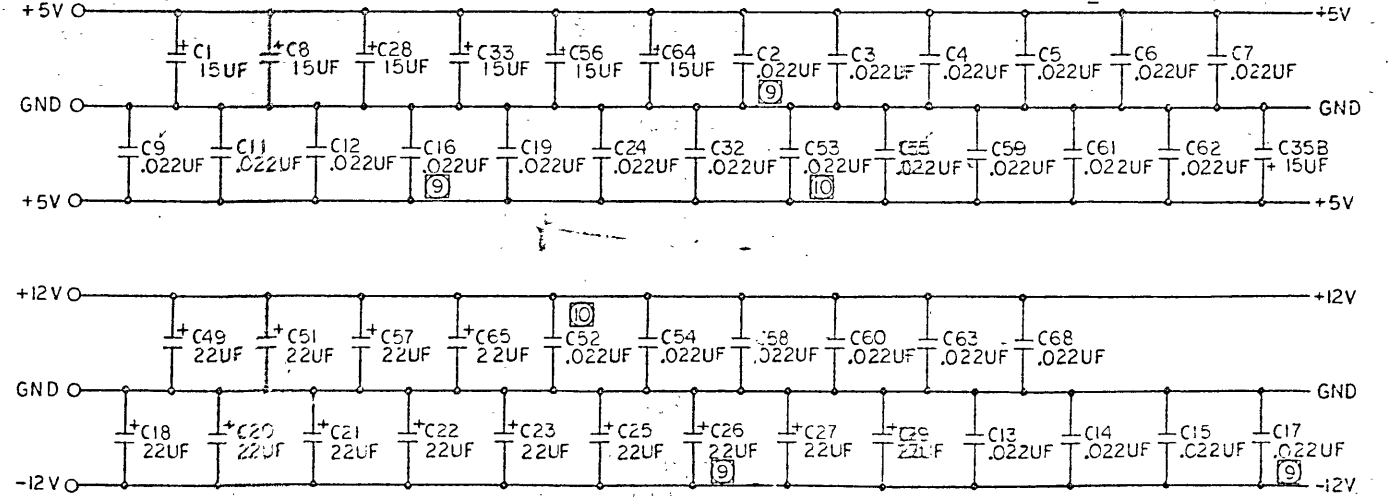
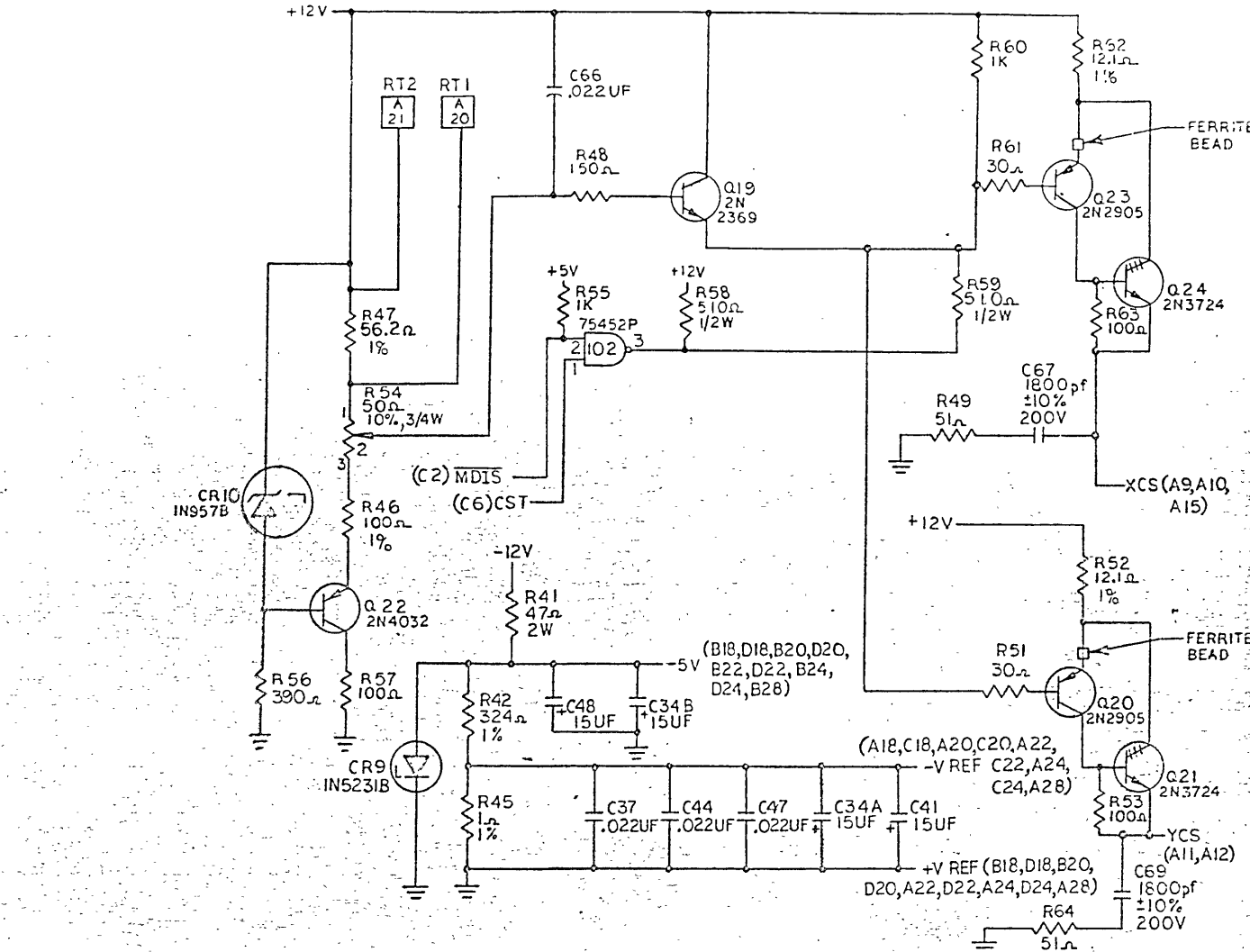
SIZE	REV
D 75-53504-XX	012
SCALE =	SHT. 5 OF 9

REVISIONS			
SYN	DESCRIPTION	DATE	APPROVAL

PROPRIETARY RIGHTS NOTICE
 THIS DOCUMENT AND INFORMATION THAT IT CONTAINS ARE THE PROPERTY OF COMPUTER AUTOMATION, INC. RIGHTS TO DUPLICATE OR OTHERWISE COPY THIS DOCUMENT AND RIGHTS TO DISCLOSE THE DOCUMENT AND SUCH INFORMATION TO OTHERS AND THE RIGHT TO USE THE INFORMATION CONTAINED THEREIN, MAY BE ACQUIRED ONLY BY WRITTEN PERMISSION SIGNED BY A DULY AUTHORIZED OFFICER OF COMPUTER AUTOMATION, INC.



SEE NOTE 10

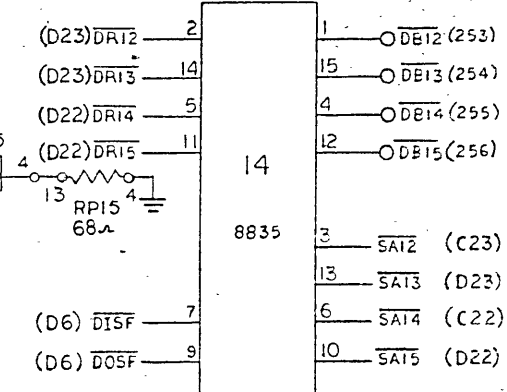
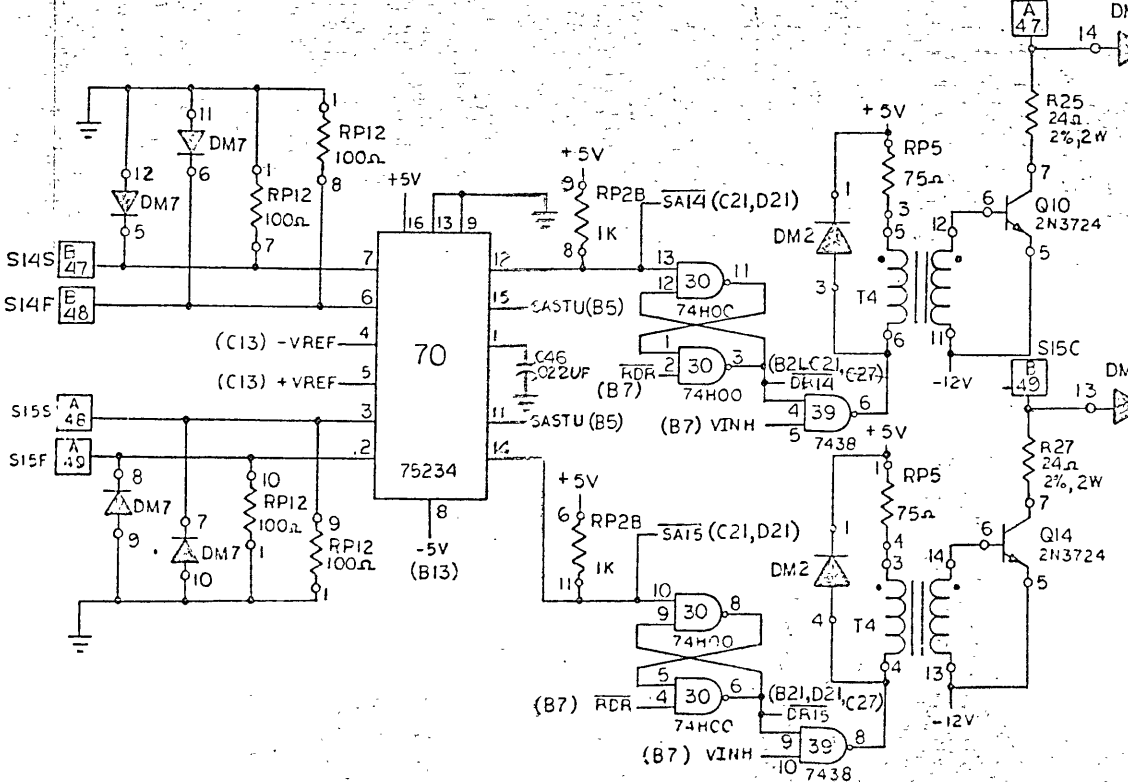
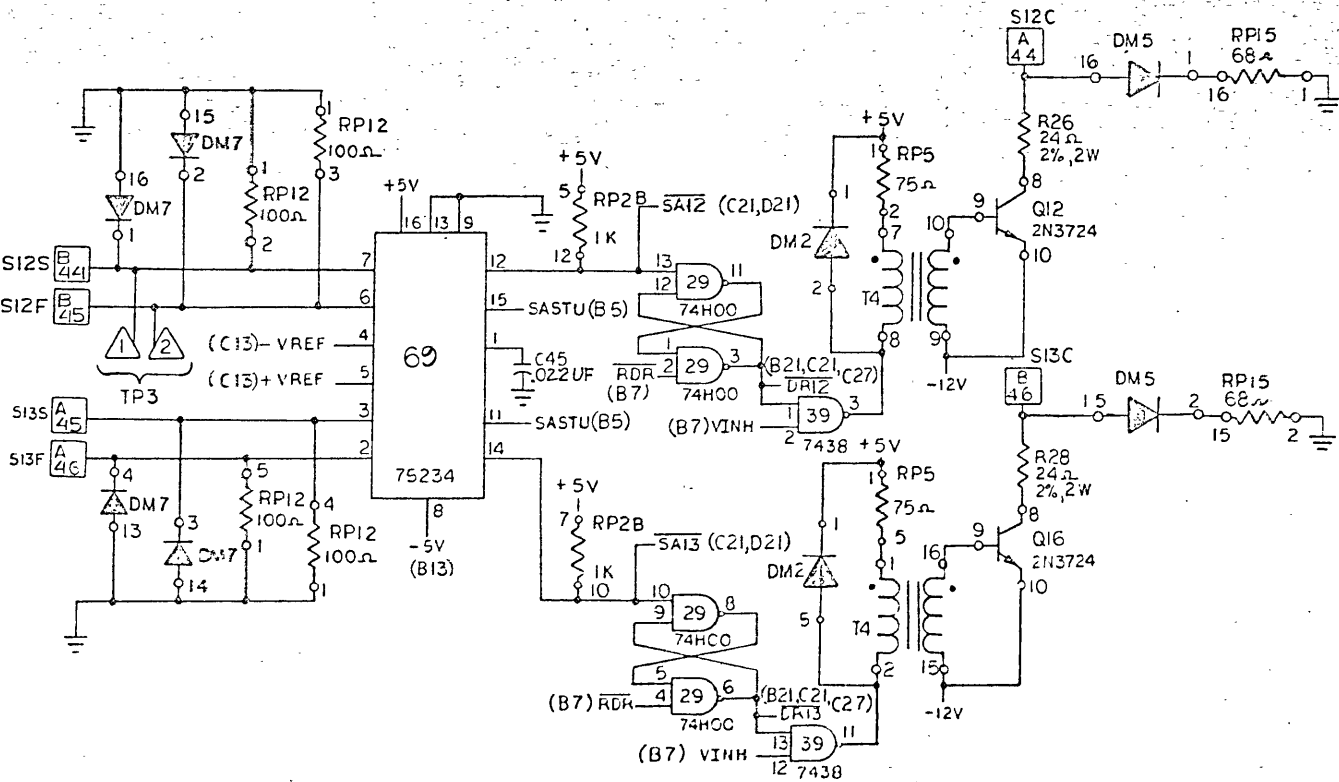
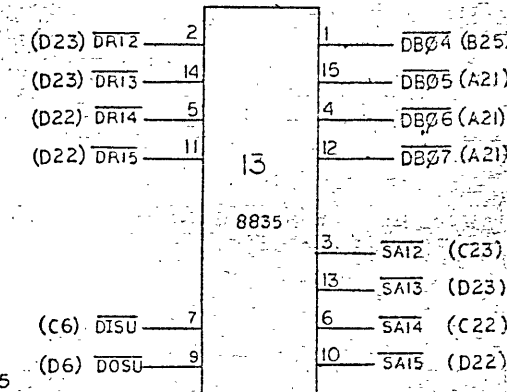
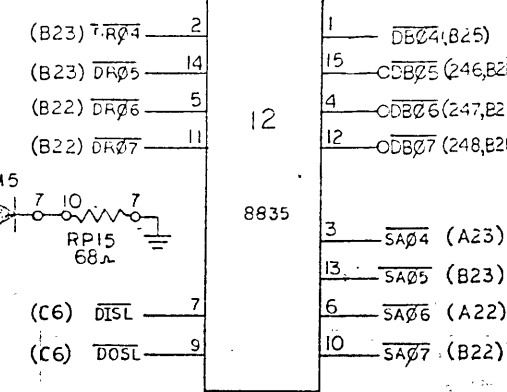
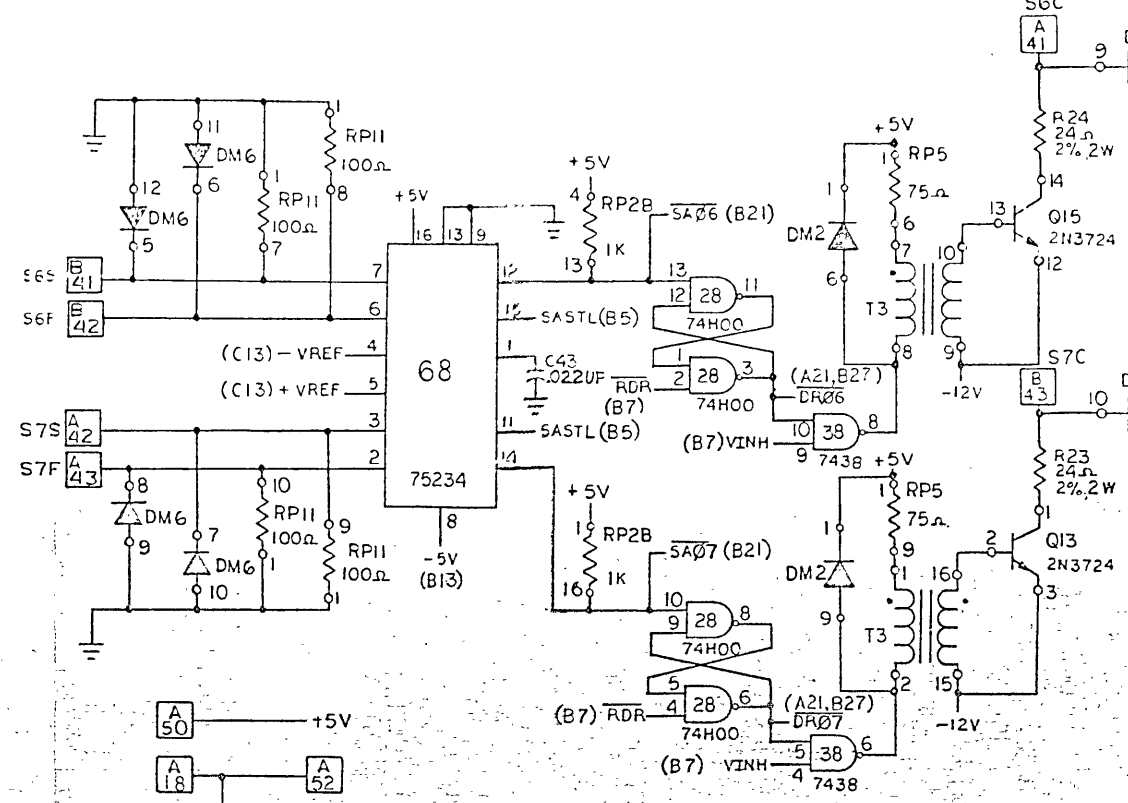
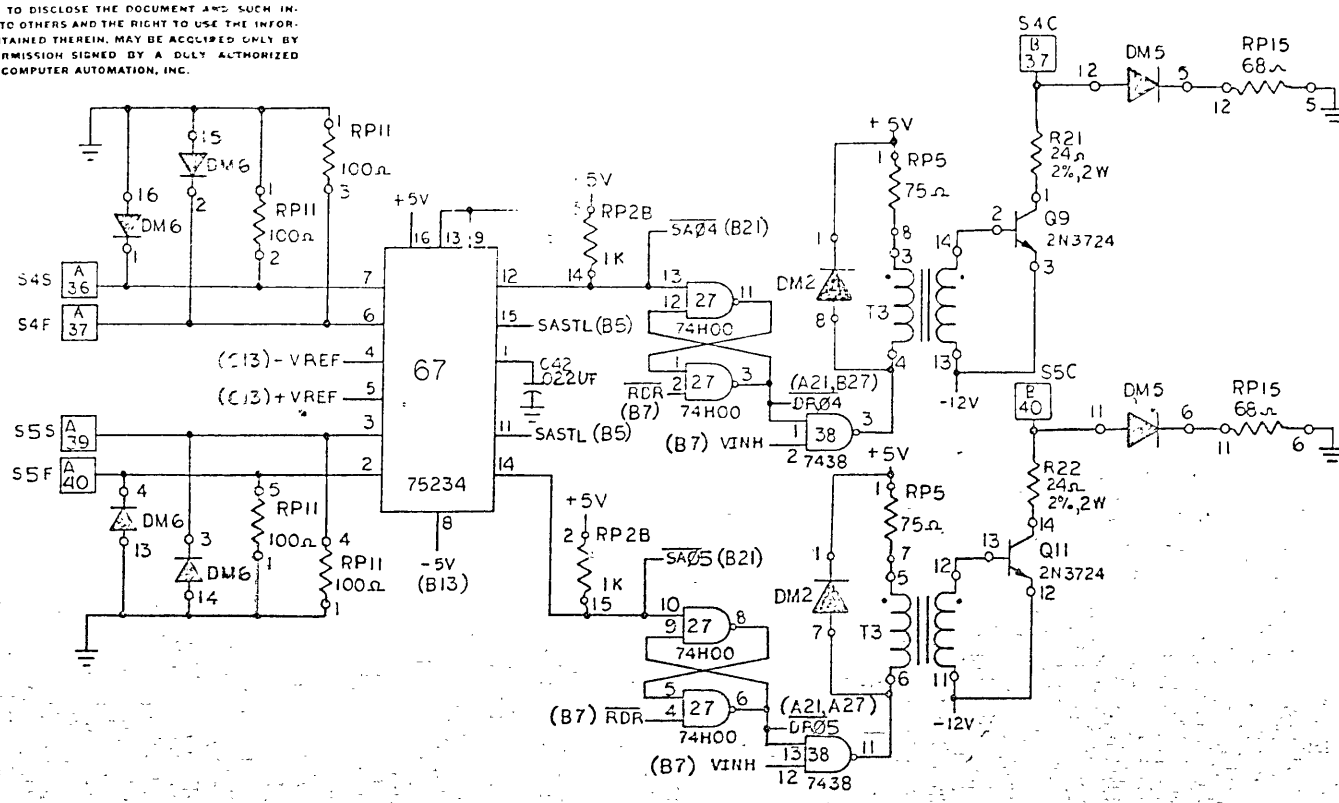


- +5V (113,114,143,144,273,274)
- +12V (103,104,105,106)
- 12V (207,208)
- GND (101,102,127,128,159,160,185,186,201,202,227,228,259,260,285,286)

SIZE	D	75-53504-XX	REV	C12
SCALE	=		SHT.	6 OF 6

PROPRIETARY RIGHTS NOTICE
 THIS DOCUMENT AND INFORMATION THAT IT CONTAINS ARE THE PROPERTY OF COMPUTER AUTOMATION, INC. RIGHTS TO DUPLICATE OR OTHERWISE COPY THIS DOCUMENT AND RIGHTS TO DISCLOSE THE DOCUMENT AND SUCH INFORMATION TO OTHERS AND THE RIGHT TO USE THE INFORMATION CONTAINED THEREIN, MAY BE ACQUIRED ONLY BY WRITTEN PERMISSION SIGNED BY A DULY AUTHORIZED OFFICER OF COMPUTER AUTOMATION, INC.

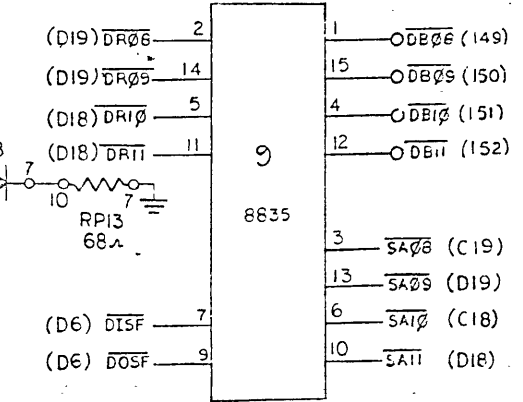
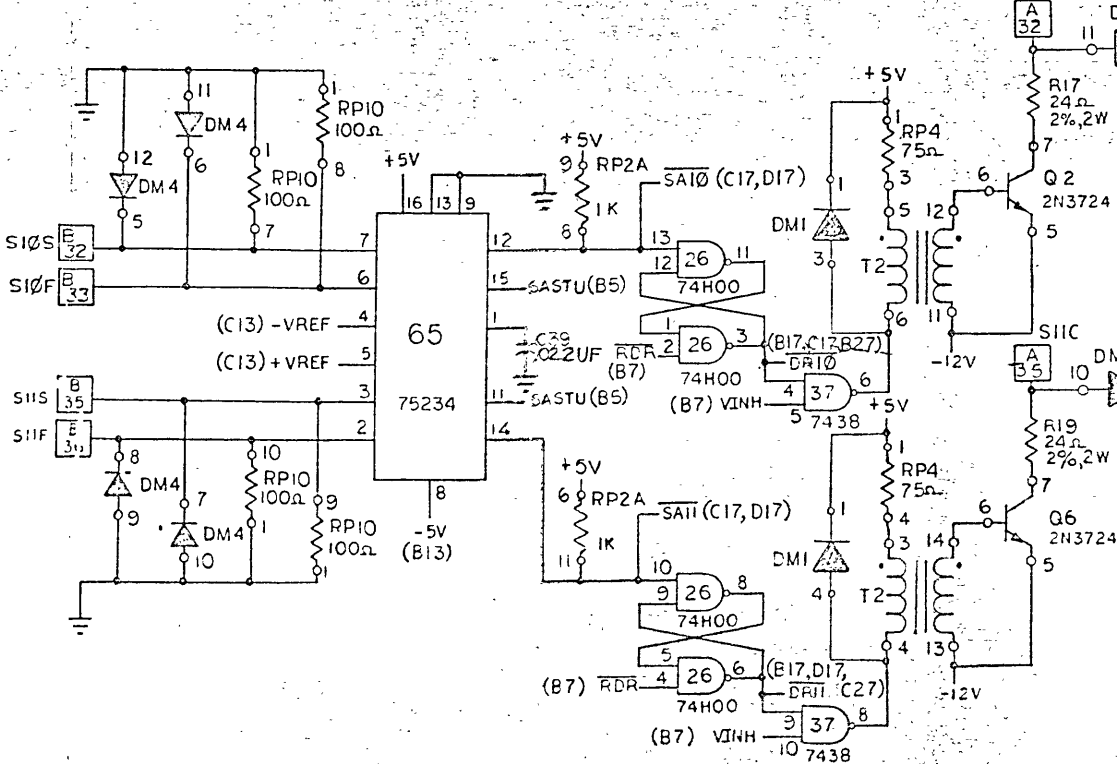
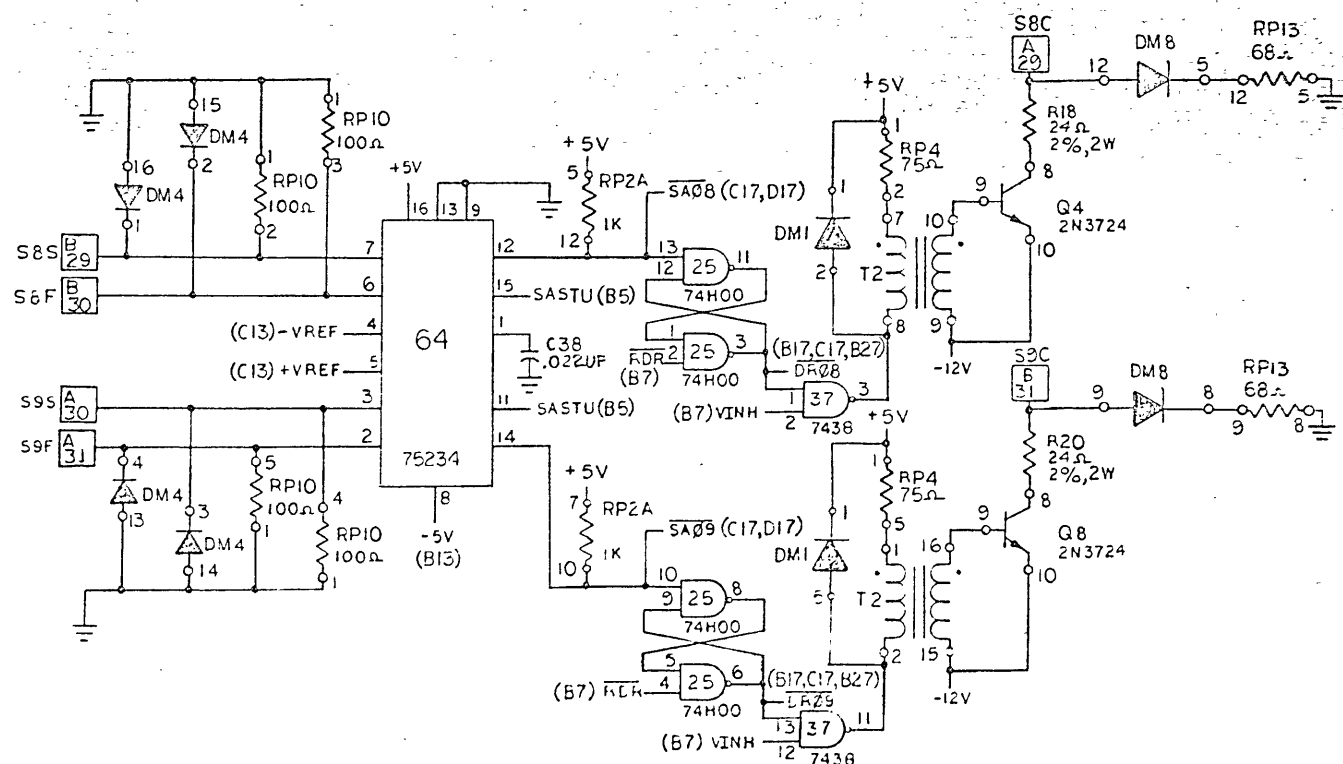
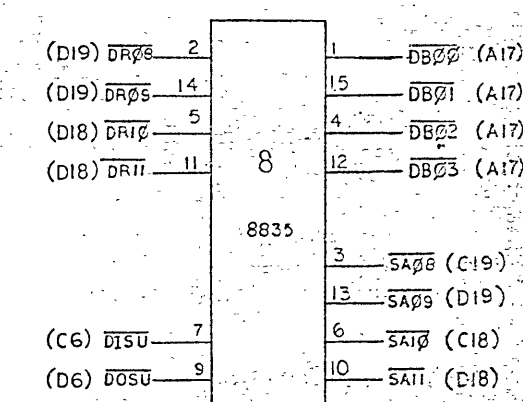
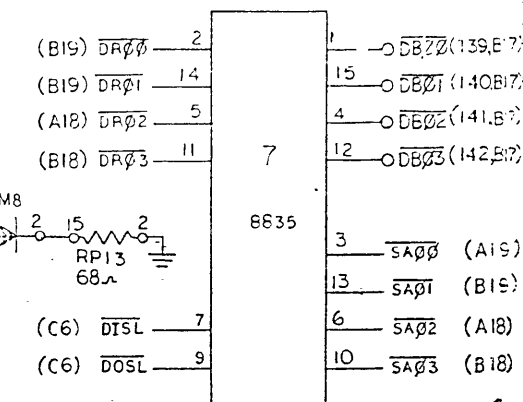
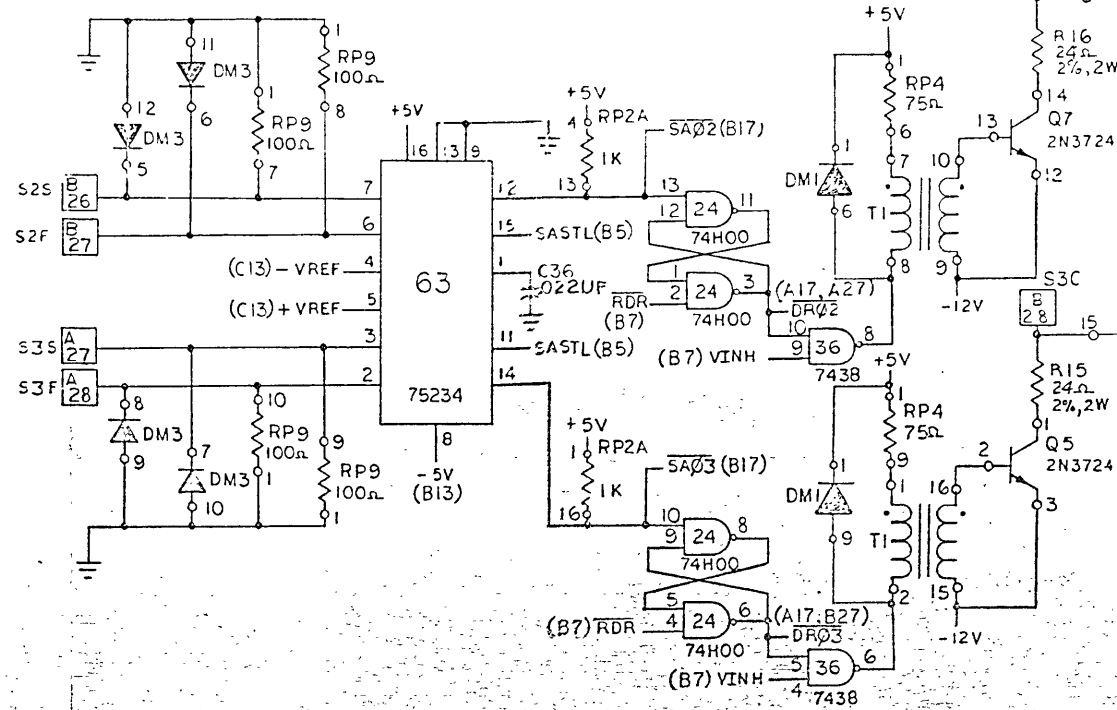
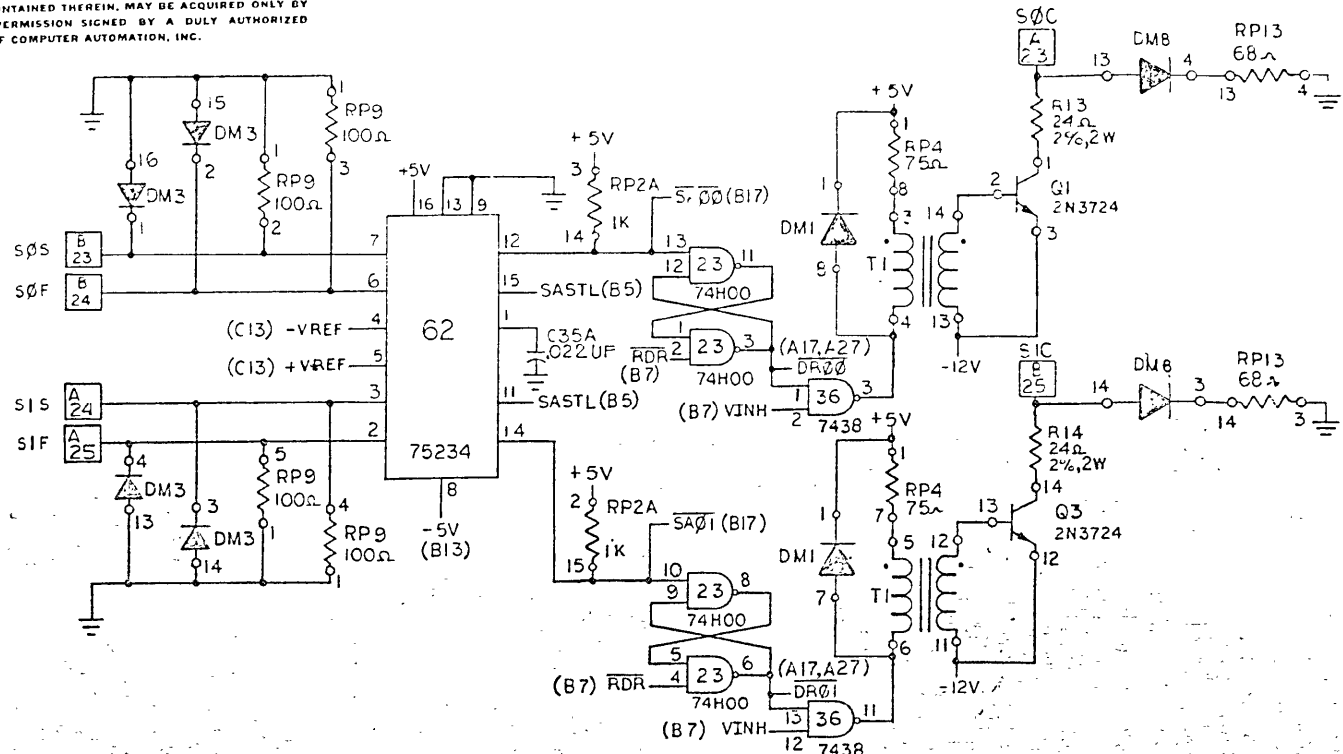
REVISIONS			
SYM	DESCRIPTION	DATE	APPROVAL



SIZE	D	75-53504-1X	REV	C12
SCALE	=		SHT.	5 OF 9

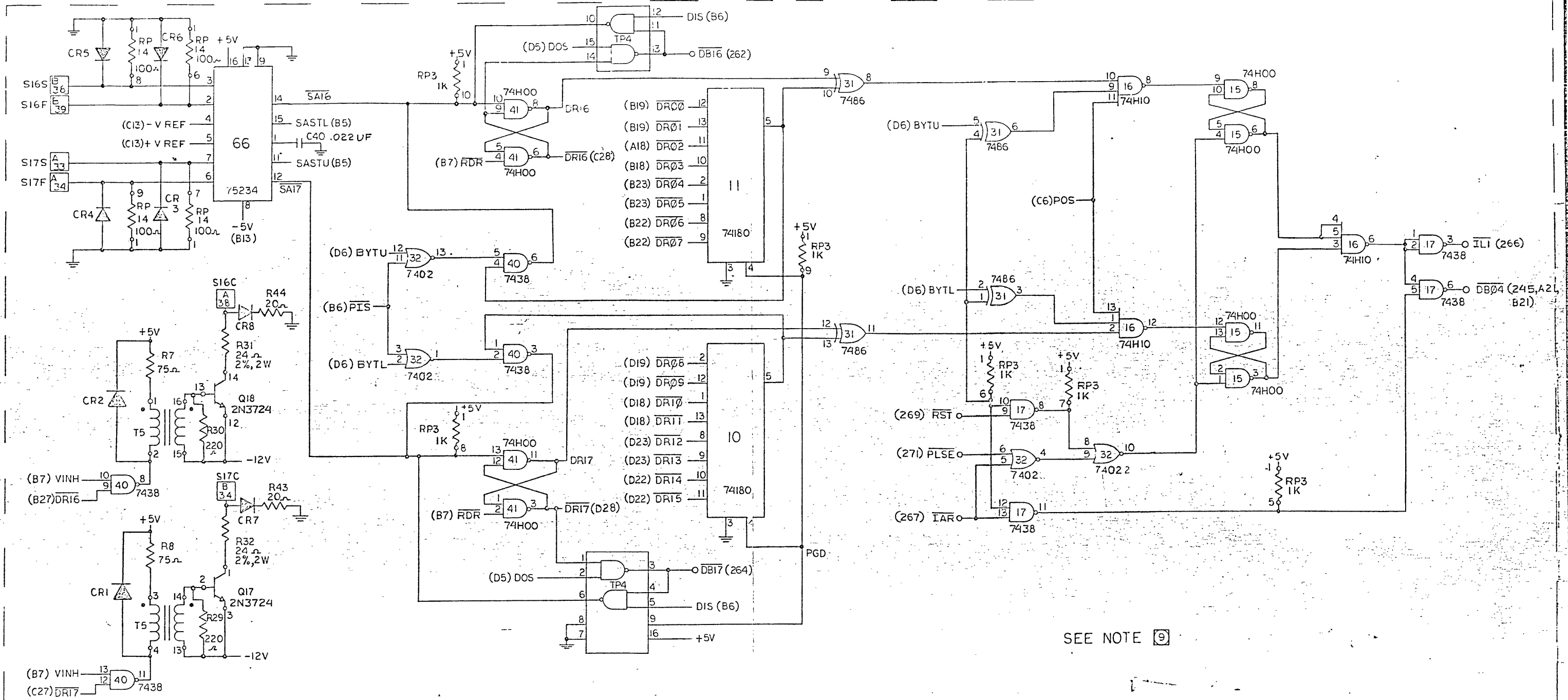
PROPRIETARY RIGHTS NOTICE
 THIS DOCUMENT AND INFORMATION THAT IT CONTAINS ARE THE PROPERTY OF COMPUTER AUTOMATION, INC. RIGHTS TO DUPLICATE OR OTHERWISE COPY THIS DOCUMENT AND RIGHTS TO DISCLOSE THE DOCUMENT AND SUCH INFORMATION TO OTHERS AND THE RIGHT TO USE THE INFORMATION CONTAINED THEREIN, MAY BE ACQUIRED ONLY BY WRITTEN PERMISSION SIGNED BY A DULY AUTHORIZED OFFICER OF COMPUTER AUTOMATION, INC.

REVISIONS		
SYM	DESCRIPTION	DATE/ APPROVAL



SIZE	D	75-53504-XX	REV	C12
SCALE	=		SHT.	7 OF 9

REVISIONS			
SYM	DESCRIPTION	DATE	APPROVAL



SEE NOTE 9

PROPRIETARY RIGHTS NOTICE
 THIS DOCUMENT AND INFORMATION THAT IT CONTAINS ARE THE PROPERTY OF COMPUTER AUTOMATION, INC. RIGHTS TO DUPLICATE OR OTHERWISE COPY THIS DOCUMENT AND RIGHTS TO DISCLOSE THE DOCUMENT AND SUCH INFORMATION TO OTHERS AND THE RIGHT TO USE THE INFORMATION CONTAINED THEREIN, MAY BE ACQUIRED ONLY BY WRITTEN PERMISSION SIGNED BY A DULY AUTHORIZED OFFICER OF COMPUTER AUTOMATION, INC.

SIZE	D	75-53504-XX	REV	C12
SCALE			SHT. 9 OF 9	