

DRAWING DIRECTORY

"THIS DRAWING AND SPECIFICATIONS, HEREIN, ARE THE PROPERTY OF DIGITAL EQUIPMENT CORPORATION AND SHALL NOT BE REPRODUCED OR COPIED OR USED IN WHOLE OR IN PART AS THE BASIS FOR THE MANUFACTURE OR SALE OF ITEMS WITHOUT WRITTEN PERMISSION. COPYRIGHT © 1975 , DIGITAL EQUIPMENT CORPORATION"

CUSTOMER PRINT SET INDEX

THIS IS PRINT SET

DRAWING DIRECTORY LK11
ASSEMBLY, LK11 (P.L.)
PUSHBUTTON INT.
DRAWING DIRECTORY LK04
SHIPPING LIST

SEQUENCE **77**
B-DD-LK11-0
A-PL-LK11-0-0
B-DD-M7060-0
B-DD-LK04-0
A-PL-LK11-0-2

SEQUENCE **77**

UNIT VARIATIONS		PRINT SET		
VAR	TITLE	LK11-0		
LK11-0	ASSEMBLY, LK11	X		
LK11-A	ASSEMBLY, LK11 & LK04-A	X		
LK11-B	ASSEMBLY, LK11 & LK04-B	X		

DEC 16-13281-1062-1A-R072

REVISIONS		CHG. NO.	REV
DATE		LK11-1	A
12-75		LK11-3	B
9-76			

USED ON OPTION/MODEL		DRN.	DATE	TITLE ASSEMBLY, LK11	
		C.B. MCCOY	5-1-75		
		CHK'D.	DATE		
		<i>R. C. Galt</i>	5-27-75		
		PROJ ENG.	DATE		
		<i>A. [unclear]</i>	<i>6-5-75</i>		
		PROD.	DATE	SIZE	CODE
		<i>R. Whelan</i>	9-8-75	B	DD
		FIELD SERV.	DATE	NUMBER LK11-0	
		<i>H. C. [unclear]</i>	8 Sept 75	REV B	
SHEET 1 OF 2				DIST	

CUSTOMER PRINT SET		ELECTRICAL						CUSTOMER PRINT SET		MECHANICAL							
		MFG. SET	FIND NO.	DRAWING NO.	REV	NO OF SHT	DESCRIPTION	OPTION NO./FILE DATE			MFG. SET	FIND NO.	DRAWING NO.	REV	NO OF SHT	DESCRIPTION	OPTION NO./FILE DATE
X			1	A-PL-LK11-Ø-Ø	#	1	ASSEMBLY, LK11					2	A-SP-3700208-0-0		2	LK11 PKG INSTR	
				B-DD-LKØ4-Ø	#	2	DRAWING DIRECTORY, LKØ4										
C				B-DD-M7Ø6Ø-Ø	#	3	PUSHBUTTON INT.										
		X		A-SP-LK11-Ø-1	#		ENGINEERING SPEC										
X				A-PL-LK11-Ø-2	#	1	SHIPPING LIST										

CUSTOMER PRINT SET CODES
 X = PRINT OF DOCUMENT INCLUDED IN PRINT SET
 C = INCLUDES ALL PRINTS INDICATED ON DOCUMENT
 S = CONFIDENTIAL AUTHORIZED SIGNATURE REQUIRED

TITLE
 ASSEMBLY, LK11

SHEET 2 OF 2 SIZE CODE NUMBER
 B DD LK11-Ø

REV
 B

DIGITAL EQUIPMENT CORPORATION
MAYNARD, MASSACHUSETTS
PARTS LIST

MADE BY	C. MCCOY	CHECKED	<i>P. K. Little</i>
DATE	5/1/75	DATE	5-27-75
ENG	<i>P. K. Little</i>	PROD	<i>P. K. Little</i>
DATE	5-27-75	DATE	7-8-75

ITEM NO.	DWG NO. / PART NO.	DESCRIPTION	QUANTITY / VARIATION																
			LK11-A	LK11-B															
1	D-UA-LK04-A	ASSEMBLY, LK04 W/ 35' CABLE	1	-															
2	M7060	PUSHBUTTON INT.	1	1															
3	A SP-3700208-0-0	LK11 PKG. INSTR.	1	1															
4	D-UA-LK04-B	ASSEMBLY, LK04 W/15' CABLE	-	-															

TITLE ASSEMBLY, LK11	ASSY NO. <i>#</i>	SIZE CODE A PL	NUMBER LK11-0-0	REV. B	ECO NO. LK11-00003
SHEET 1 OF 1		DIST.			

DEC FORM DEC 16 (325) 1031 N870
DRA 110

DRAWING DIRECTORY

"THIS DRAWING AND SPECIFICATIONS, HEREIN, ARE THE PROPERTY OF DIGITAL EQUIPMENT CORPORATION AND SHALL NOT BE REPRODUCED OR COPIED OR USED IN WHOLE OR IN PART AS THE BASIS FOR THE MANUFACTURE OR SALE OF ITEMS WITHOUT WRITTEN PERMISSION. COPYRIGHT © 1975, DIGITAL EQUIPMENT CORPORATION"

CUSTOMER PRINT SET INDEX

THIS IS PRINT SET

PUSH BUTTON CONTROL
PUSH BUTTON CONTROL

SEQUENCE 7┘
D-UA-M7060-0-0
D-CS-M7060-0-1

SEQUENCE 7┘

UNIT VARIATIONS		PRINT SET																																										
VAR	TITLE																																											
M7060	PUSH BUTTON CONTROL	<table border="1" style="width: 100%; height: 100%;"> <tr><td> </td><td> </td></tr> <tr><td> </td><td> </td></tr> <tr><td> </td><td> </td></tr> <tr><td> </td><td> </td></tr> <tr><td> </td><td> </td></tr> <tr><td> </td><td> </td></tr> <tr><td> </td><td> </td></tr> <tr><td> </td><td> </td></tr> <tr><td> </td><td> </td></tr> <tr><td> </td><td> </td></tr> <tr><td> </td><td> </td></tr> <tr><td> </td><td> </td></tr> <tr><td> </td><td> </td></tr> <tr><td> </td><td> </td></tr> <tr><td> </td><td> </td></tr> <tr><td> </td><td> </td></tr> <tr><td> </td><td> </td></tr> <tr><td> </td><td> </td></tr> <tr><td> </td><td> </td></tr> <tr><td> </td><td> </td></tr> <tr><td> </td><td> </td></tr> </table>																																										

REVISIONS			
DATE	CHG. NO.	REV	
8-76	M7060-1	A	
11-77	M7060-2	B	

USED ON OPTION/MODEL		DRN.	DATE	TITLE			
LK11A		DD <i>[Signature]</i>	5-22-75	PUSH BUTTON CONTROL			
		CHK'D.	DATE				
		<i>[Signature]</i>	25 SEP 75				
		PROJ ENG.	DATE				
		<i>[Signature]</i>	23 Sep 75				
		PROD.	DATE	SIZE	CODE	NUMBER	REV
		<i>[Signature]</i>	25 Sep 75	B	DD	M7060-0	B
		FIELD SERV.	DATE				
		<i>[Signature]</i>	25 Sep 75				
SHEET 1 OF 2				DIST			

DEC 16 (3251-1062-1A-R) 972

CUSTOMER PRINT SET						REVISION CONTROL SHEET															
						REVISIONS															
		DRAWING NO	NO OF SHT	DESCRIPTION	OPTION NO/FILE DATE																
		D-UA-M7060-0-0	5	PUSH BUTTON CONTROL		A	B	C													
		D-CS-M7060-0-1	3	PUSH BUTTON CONTROL		A	B	B													
		K-CO-M7060-0-4	1	PUSH BUTTON CONTROL (CALDEC DATA BASE)		B	E	B													
		D-AH-M7060-0-5	2	PUSH BUTTON CONTROL		A	A	A													
		B-MH-M7060-0-6	1	MODULE ECO HISTORY		-	A	B													
		5011052	-	ETCH CIRCUIT BOARD		B	B	B													
CUSTOMER PRINT SET CODES		X = PRINT OF DOCUMENT INCLUDED IN PRINT SET C = INCLUDES ALL PRINTS INDICATED ON DOCUMENT S = CONFIDENTIAL AUTHORIZED SIGNATURE REQUIRED			ECO NO	ORIG	00001	00002													
					TITLE	PUSH BUTTON CONTROL			SHEET 2 OF 2	SIZE CODE	B DD		NUMBER	M7060-0		REV	E				

THIS DRAWING AND SPECIFICATIONS HEREIN ARE THE PROPERTY OF DIGITAL EQUIPMENT CORPORATION AND SHALL NOT BE REPRODUCED OR COPIED OR USED IN WHOLE OR IN PART AS THE BASIS FOR THE MANUFACTURE OR SALE OF ITEMS WITHOUT WRITTEN PERMISSION.
 COPYRIGHT © 1975 DIGITAL EQUIPMENT CORPORATION

NOTES:

- FOR DRAWING DIRECTORY, REFER TO B-DD-M7060-0
- UNLESS OTHERWISE SPECIFIED, THE FOLLOWING PIN NUMBERS APPLY

PACKAGE TYPE	VCC	GND
14 PIN DIP	14	7
16 PIN DIP	16	8
I.C. DEC 7380	8	1
I.C. DEC 7263	24	12
I.C. DEC 74150	24	12
I.C. DEC 7476	5	13
I.C. DEC 7475	5	12
I.C. DEC 7314	8	1
I.C. DEC 7384	9	1
- REF. DESIGNATIONS NOT USED: C7, C17, C59 & C60

ECO #1 CONT'D

WIRE ADDS SIDE 1:

- 1-6 FROM E36-14 TO E45-6
- 1-7 FROM E46-9 TO E45-5
- 1-8 FROM E45-4 TO E45-12
- 1-9 FROM E26-5 TO E45-11
- 1-10 FROM E45-13 TO E31-15
- 1-11 FROM F/T ABOVE R25 TO F/T ABOVE AND TO THE LEFT OF E24-1

COMPONENT ADD:

- 1-12 REPLACE E45 WITH (7402-1909004)

WIRE ADDS SIDE #2 AS SHOWN (ITEM #42):
 SOLDER BUSS WIRE TO PINS OF CONN J1 ON SIDE 2

- ADD WIRE FROM J1-B TO J1-D.
- ADD WIRE FROM J1-D TO J1-F.
- ADD WIRE FROM J1-F TO J1-J.
- ADD WIRE FROM J1-J TO J1-L.
- ADD WIRE FROM J1-L TO J1-N.
- ADD WIRE FROM J1-N TO J1-R.
- ADD WIRE FROM J1-R TO J1-T.
- ADD WIRE FROM J1-T TO J1-V.
- ADD WIRE FROM J1-V TO J1-X.

ECO #1

COMPONENT DELETE:

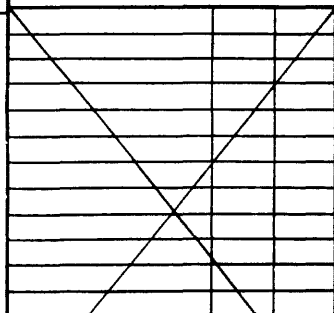
- 1-1 REMOVE E45 (7402-1909004)

ETCH CUTS SIDE 1:

- 1-2 BETWEEN E45-3 AND E45-11
- 1-3 BETWEEN E45-12 AND F/T
- 1-4 E31-1 NEAR F/T

ETCH CUT SIDE 2:

- 1-5 E31-15 NEAR E31-2



IC TYPE: GND +5V
 GND AND 5V ARE USUALLY PIN 7 AND 14 RESPECTIVELY. EXCEPTIONS ARE STATED ABOVE.
 IC PIN LOCATIONS

QTY	REF. DESIGNATION	DESCRIPTION	PART NO.	ITEM NO.
1		ETCH CIRCUIT BOARD	5011052	1
54	C1 THRU C8, C8 THRU C16, C18 THRU C56	CAP. 0.1uf 10% 100V	1001610-01	2
1	C57	CAP. 0.1uf 10% 35V	1009308	3
1	C58	CAP. 560pf 100V	1000025	4
1	C81	CAP. 0.1uf 100V	1000014	5
1	C82	CAP. 100pf 100V	1000016	6
1	F1	FUSE 5 AMP	1205747	7
1	J1	CONN. 40 PIN RT. ANG. HEADER	1209941-02	8
1		RIGHT ANGLE HEADER LEFT LATCH	1209941-03	9
1		RIGHT ANGLE HEADER RIGHT LATCH	1209941-04	10
10	R1 THRU R9, R16, R17, R25 THRU R31	RES. 1K 5% 1/8	1300385	11
2	R10, R11	RES. 390 5% 1/8	1300309	12
7	R12, R13, R19 THRU R21, R32	RES. 190 5% 1/8	1301322	13
1	R14	RES. 4.7K 5% 1/8	1300447	14
4	R15, R22, R23, R24	RES. 10K 5% 1/8	1300479	15
1	Q1	TRANS. 2N3000	1503100	16
4	E1, E2, E3, E5	I.C. DEC 8938	1911117	17
8	E4, E21, E36, E37, E38, E39, E43, E51	I.C. DEC 7380	1910290	18
2	E8, E11	I.C. DEC 8263	1910471	19
1	E7	I.C. DEC 74150	1910153	20
4	E8, E33, E42, E47	I.C. DEC 7403	1905575	21
2	E9, E10	I.C. DEC 74157	1910655	22
8	E12, E14, E18, E19, E22, E23, E24, E30	I.C. DEC 7478	1905595	23
2	E13, E15	I.C. DEC 8318	1910454	24
1	E18	I.C. DEC 74183	1910018	25
1	E17	PRIORITY JUMPER PLUG	5408776	26
1	EX17	PRIORITY COCKE	1209938	27
4	E20 *27, E28, E29	I.C. DEC 7475	1909050	28
3	E25, E41, E52	I.C. DEC 7474	1905547	29
1	E28	I.C. DEC 74123	1910436	30
1	E31	ROM 5600 (OR 8330 OR 8223)	23112A1	31
1	E32	I.C. DEC 7314	1810399	32
2	E34, E48	I.C. DEC 7404	1909686	33
2	E35, E45	I.C. DEC 7402	1909004	34
1	E40	I.C. DEC 7394	1910393	35
3	E44, E49, E49	I.C. DEC 8242	1909712	36
1	E50	I.C. DEC 7408	1910155	37
4	E53, E54, E55, E58	I.C. DEC 8801	1909705	38
17	W1 THRU W17	JUMPER WIRE (WHT. INS.)	9009145	39
8		EYELET, HANDLE	9008732	40
3		HANDLE, FLIP CHIP (MAGENTA)	9008337-08	41
81N		WIRE #22 AVG BUSS	9107560-01	42

FIRST USED ON OPTION MODEL: LK11A

ETCH BOARD-REV

DRN. DATE: 5-22-75	CHK'D. DATE: 5-27-75	ENG. DATE: 5-27-75	PROJ. ENG. DATE: 5-27-75	PROD. DATE: 5-27-75
NEXT HIGHER ASSY: B-DD-M7060-0				
DEC. NO.	EIA. NO.	DEC. NO.	EIA. NO.	SHEET 21 OF 5

digital

TITLE: PUSH BUTTON CONTROL

SIZE CODE: DUA M7060-0-0

NUMBER: 21

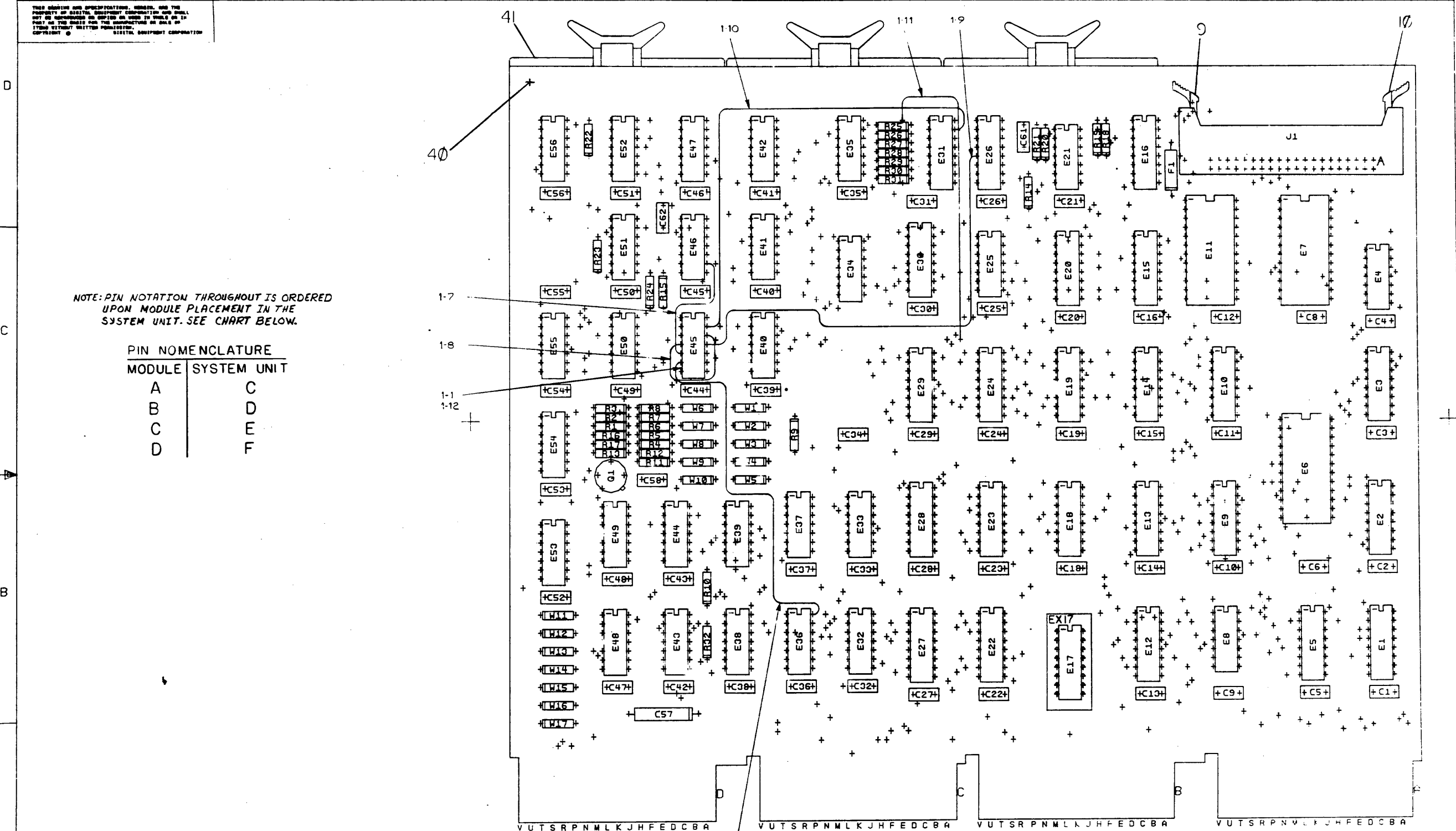
REV. C

SEMICONDUCTOR CONVERSION CHART

CHG.	CHANGE NO.	REV.
1		INITIALS
2		DATE
3		DATE
4		DATE
5		DATE

THIS DRAWING AND SPECIFICATIONS, HEREIN, AND THE PROPERTY OF DIGITAL EQUIPMENT CORPORATION AND SHALL NOT BE REPRODUCED OR REFERRED TO IN ANY MANNER WITHOUT WRITTEN PERMISSION. COPYRIGHT © DIGITAL EQUIPMENT CORPORATION

0-0-0907W 2 1



NOTE: PIN NOTATION THROUGHOUT IS ORDERED UPON MODULE PLACEMENT IN THE SYSTEM UNIT. SEE CHART BELOW.

PIN NOMENCLATURE	
MODULE	SYSTEM UNIT
A	C
B	D
C	E
D	F

NOTES:

CHK	CHANGE	NO	REV

SIGNATURES	DATE	digital
DRN.		
CHK'D		TITLE
ENG.		PUSH BUTTON CONT.
PROJ. ENG.		
PROD. REV.		
SCALE		SIZE CODE
SHT. 2 OF 5		NUMBER
ETCH REV	FIRST USED ON	

DIGITAL EQUIPMENT CORPORATION DUA M7060-0-0

8

7

6

5

4

3

2

1

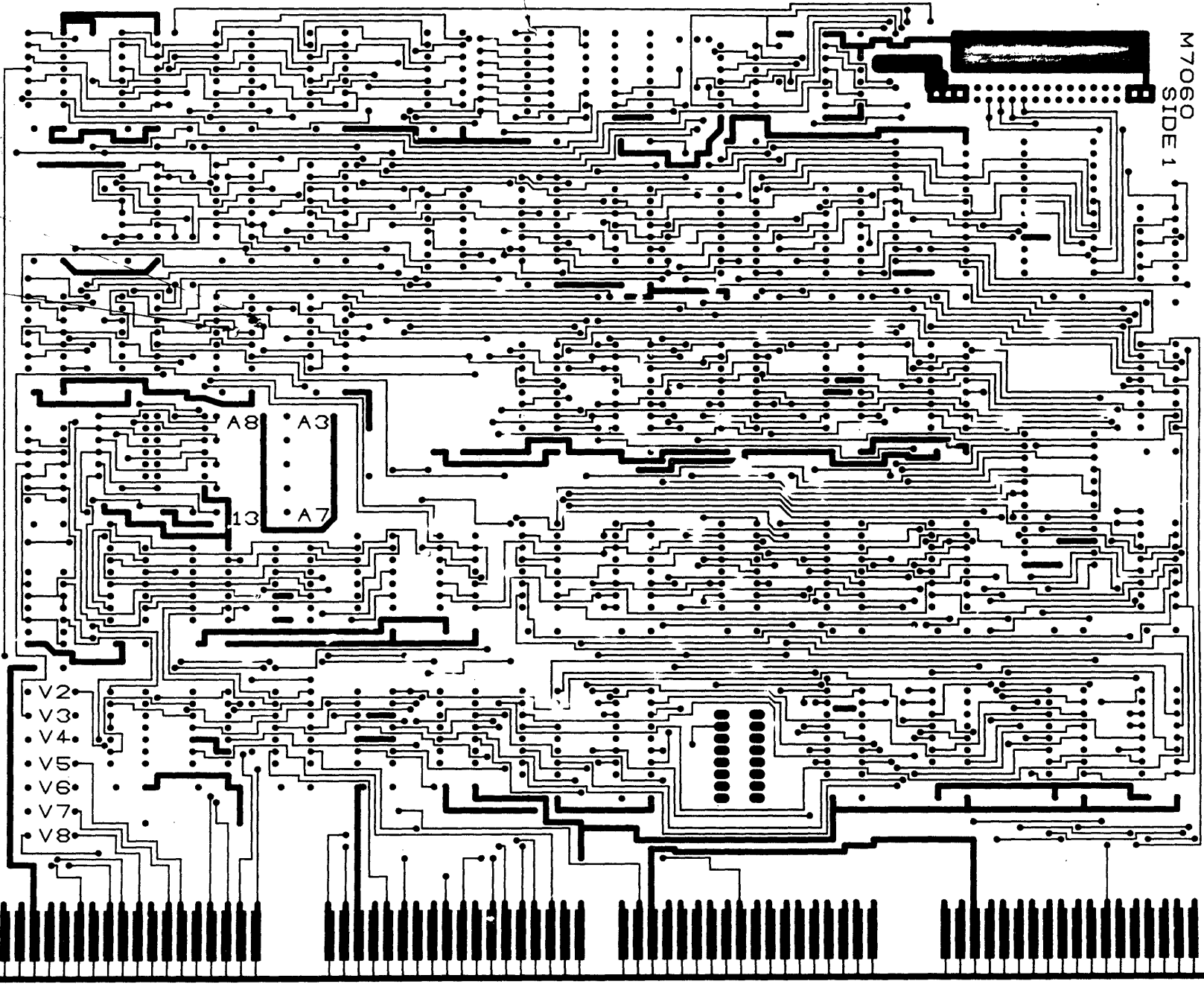
575

D
C
B
A

D
C
B
A

CS*ABCDEFGHIJKLMNPRS SIDE 1 FLIP CHIP

M7060
SIDE 1



REV	DATE	BY

TITLE	PUSH BUTTON CONTROL	D	UA M7060-0-0	C
SCALE	1:1	SHEET	3	5

8

7

6

5

4

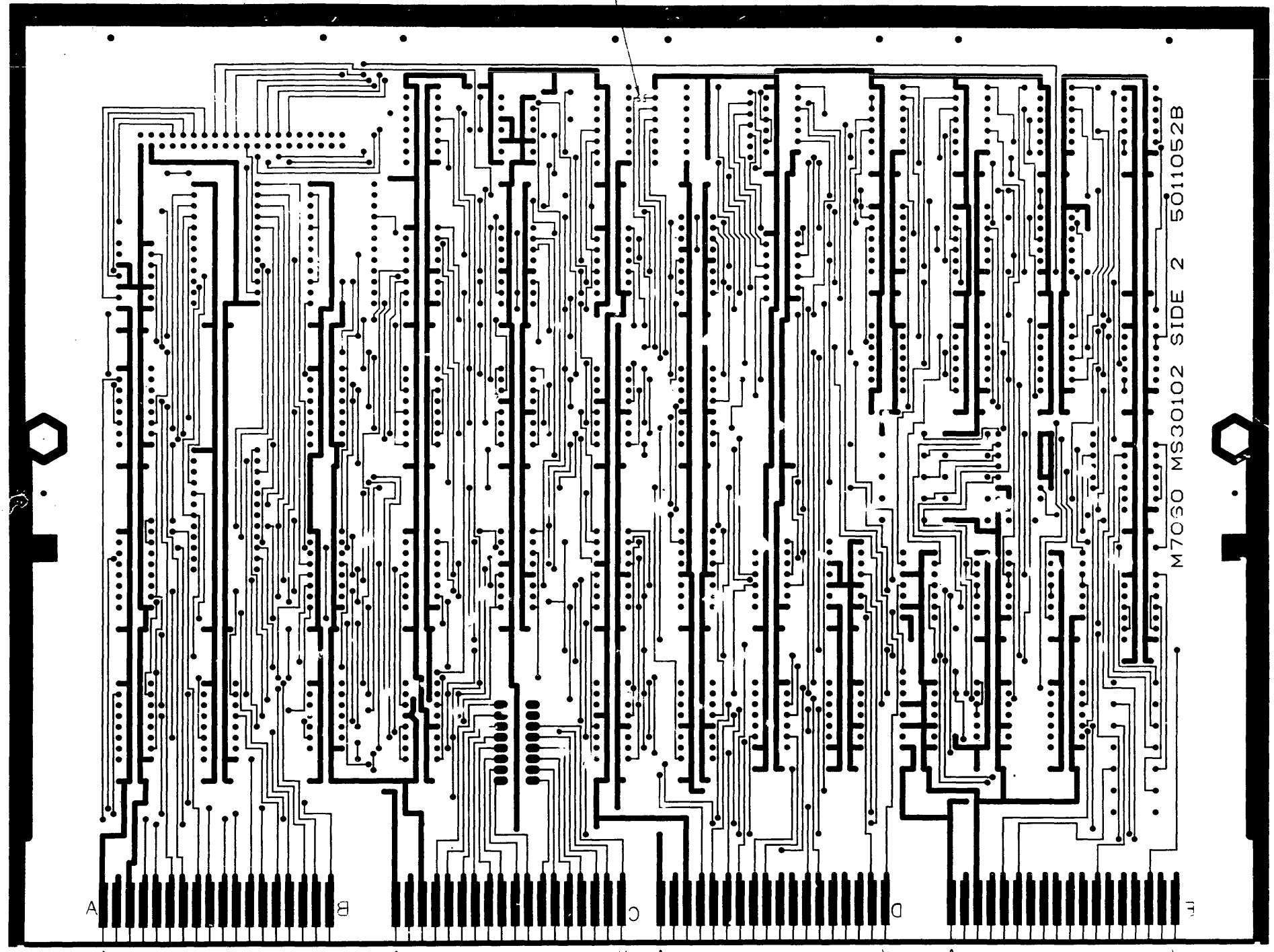
3

2

1

01575

DIA M7060-0-0 2



A V A V A V A V

REV	DATE	BY

8

7

6

5

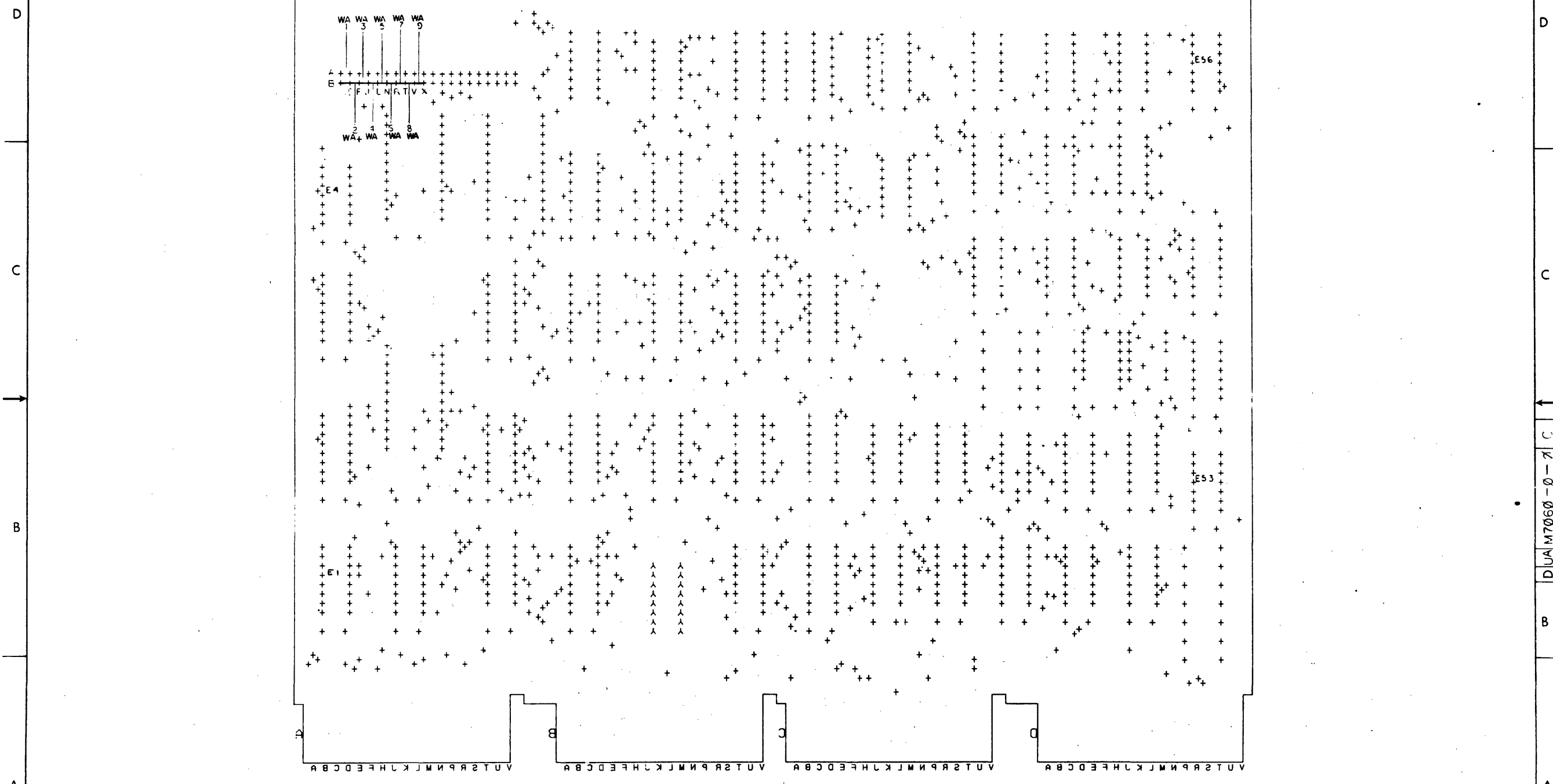
4

3

D|UA|M7060-0-0

1

THE COMPANY HAS THE RIGHT TO MAKE ANY CHANGES IN THE DESIGN OR SPECIFICATIONS OF THIS PRODUCT WITHOUT NOTICE AND WITHOUT LIABILITY TO THE USER.
 © 1975



REV. DATA		
CHK	CHANGE NO	REV

TITLE	SIZE CODE	NUMBE	REV
PUSH BUTTON CONTROL	D UA M7060-0-0		C
SCALE 1/4	SHEET 5 OF 5	DIST	

8

7

6

5

4

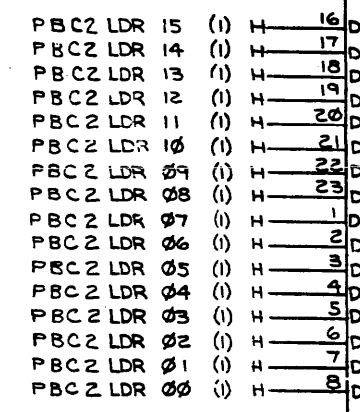
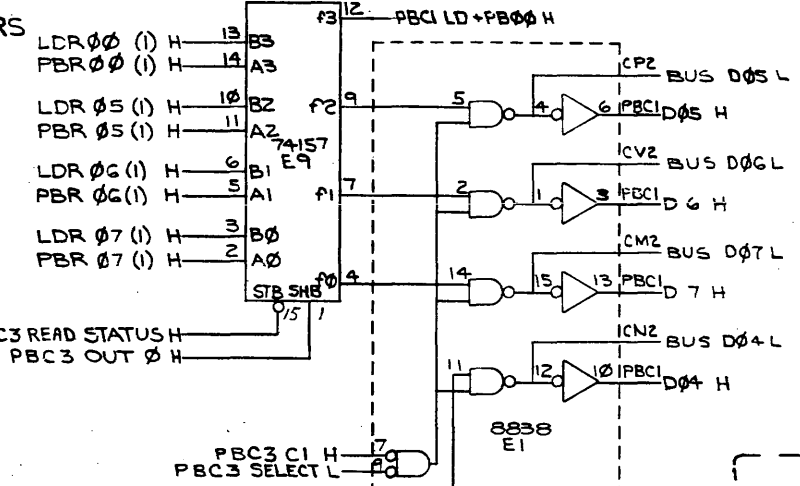
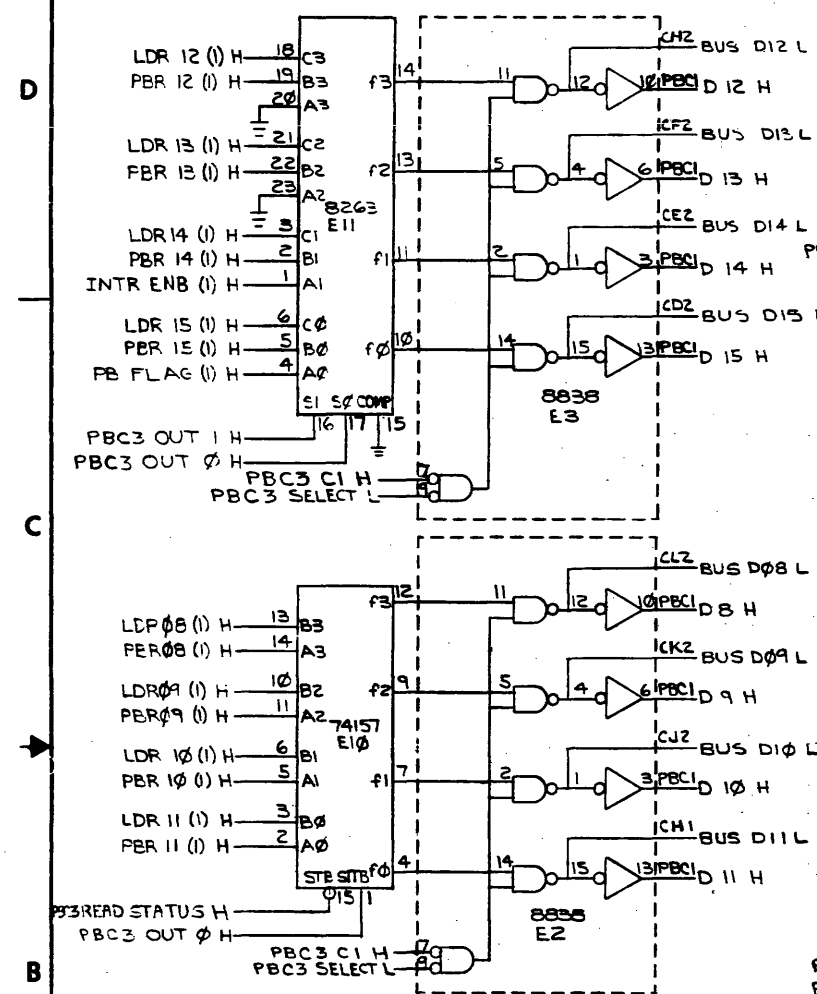
3

2

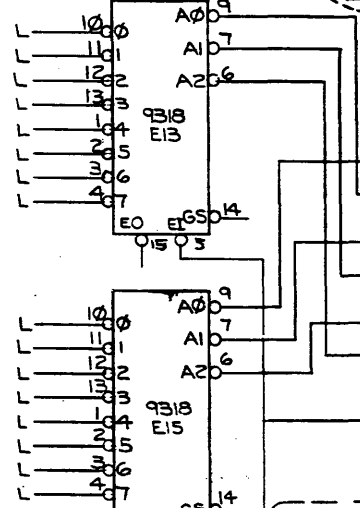
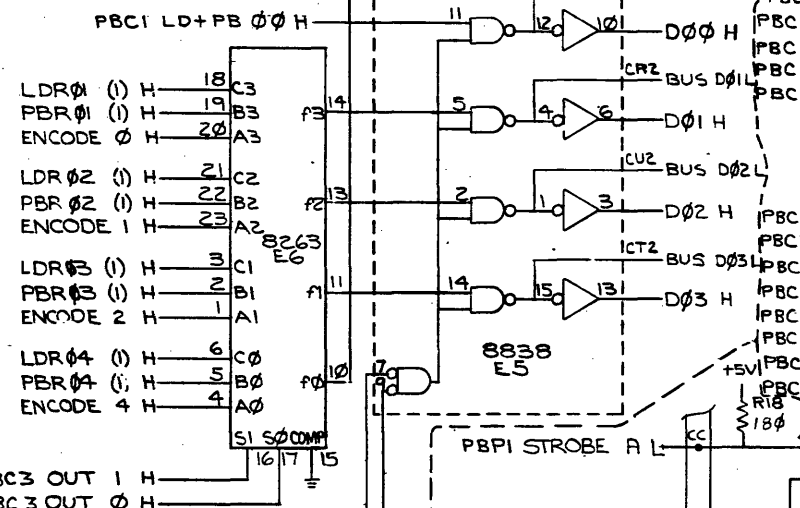
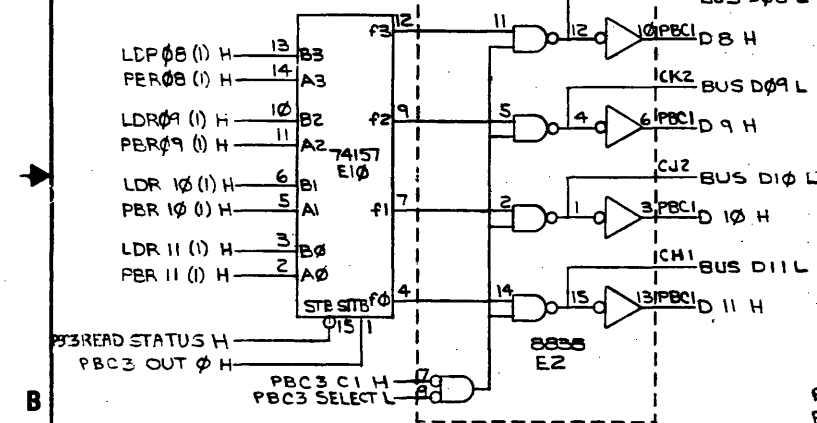
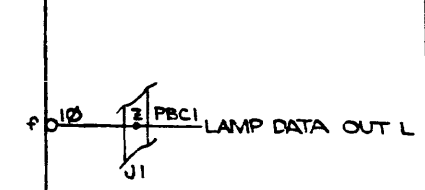
1

THIS DRAWING AND SPECIFICATIONS HEREIN ARE THE PROPERTY OF DIGITAL EQUIPMENT CORPORATION AND SHALL NOT BE REPRODUCED OR COPIED OR USED IN WHOLE OR IN PART AS THE BASIS FOR THE MANUFACTURE OR SALE OF ITEMS WITHOUT WRITTEN PERMISSION. COPYRIGHT © 1975, DIGITAL EQUIPMENT CORPORATION.

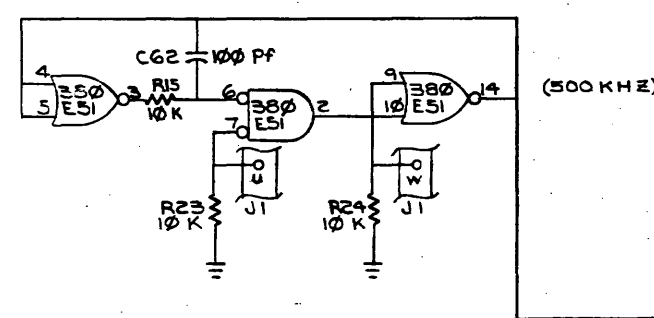
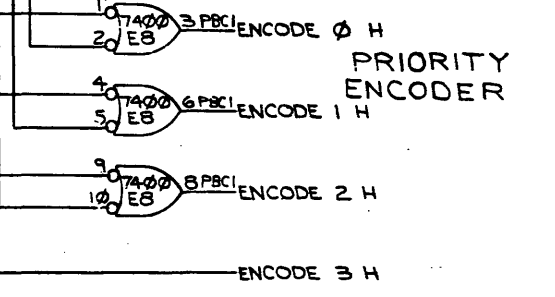
BUS DATA LINE TRANSEIVERS



LAMP SERIAL DATA



PRIORITY ENCODER



LAMP DATA CONTROL

PUSH BUTTON CONTROL

8263				
INPUT	SI	S0	COMP	OUTPUT
A	H	L	L	A
B	H	L	L	B
C	L	L	L	C

9318 (BCD HIGH PRIORITY OUT)						
INPUTS			OUTPUT			
EI	0	1	2	3	4	5
H	X	X	X	X	X	X
L	X	X	X	X	X	X
L	X	X	X	X	X	X
L	X	X	X	X	X	X
L	X	X	X	X	X	X
L	X	X	X	X	X	X
L	X	X	X	X	X	X

PUSH BUTTON DATA

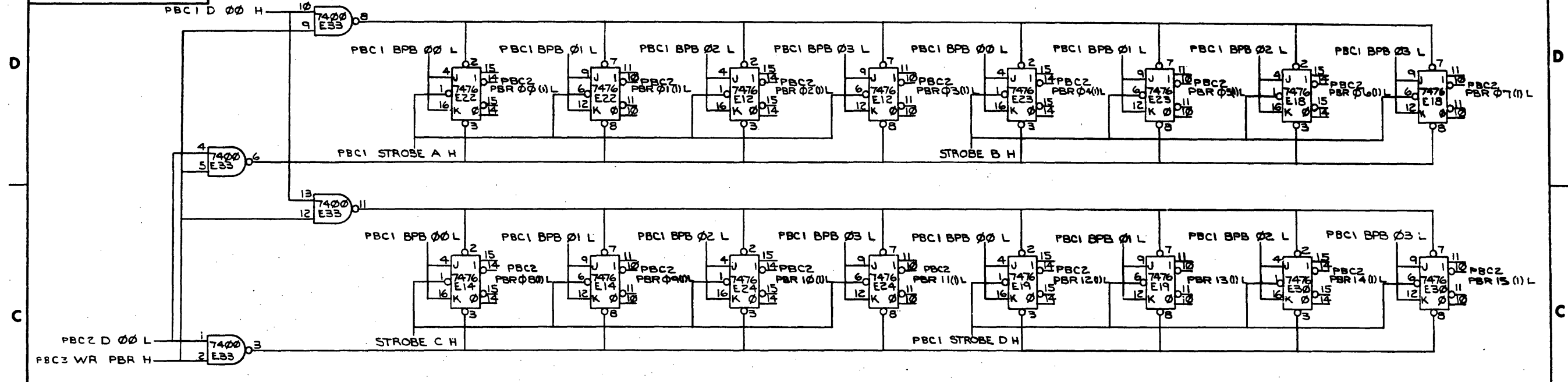
DRN: 4/28/75	4/28/75	FIRST USED ON	Digital
CHK: 4/28/75	4/28/75	TITLE	PUSH BUTTON CONTROL
ENG: 4/28/75	4/28/75	NUMBER	PBC1
PRJ. ENG: 4/28/75	4/28/75	SIZE	D
PROD: 4/28/75	4/28/75	CODG	CSM7260-1-1
NEXT HIGHER ASSY.		REV.	B
SCALE: 1	OF 3	DIST.	

REVISIONS	CHANGE NO.	REV.	ORIGINATED	A	B
1	1	1	M.7260	00001	B
2	1	1	J. DELKE VICH		

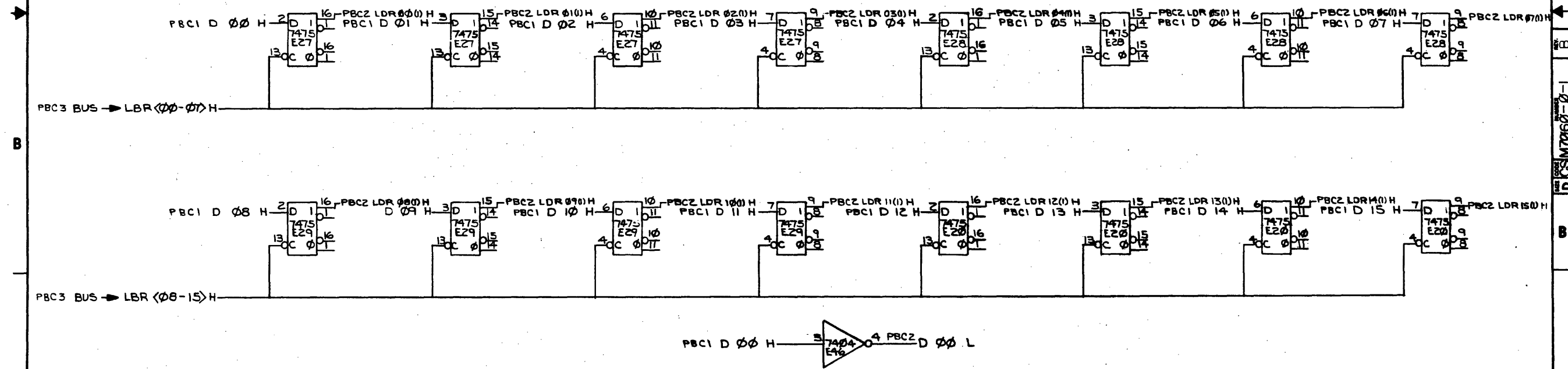
D E C I T A L
CORPORATION
MILFORD, MASSACHUSETTS 01908

THIS DRAWING AND SPECIFICATIONS HEREIN ARE THE PROPERTY OF DIGITAL EQUIPMENT CORPORATION AND SHALL NOT BE REPRODUCED OR COPIED OR USED IN WHOLE OR IN PART AS THE BASIS FOR THE MANUFACTURE OR SALE OF ITEMS WITHOUT WRITTEN PERMISSION. COPYRIGHT © 1975, DIGITAL EQUIPMENT CORPORATION

PUSH BUTTON REGISTER



LAMP DATA REGISTER

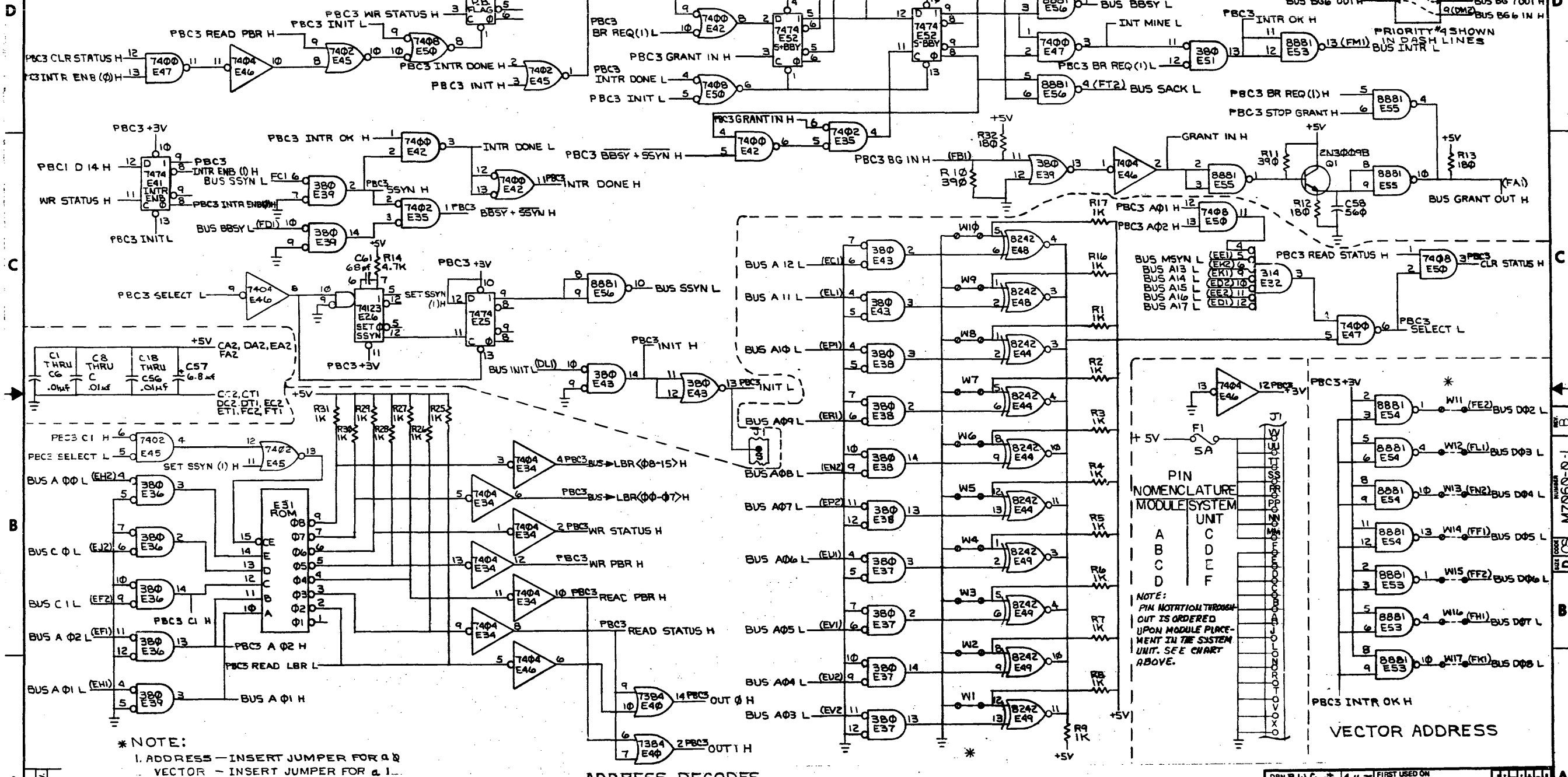


REV.	
CHG	
CHG	
CHG	
CHG	

DRN. 2/16/75	FIRST USED ON	digital
CHK'D 1/28/75	25 SEP 75	
ENG. 2/16/75	7/23/75	TITLE
PROL. ENG. 2/16/75	25 SEP 75	PUSH BUTTON CONTROL
PROD. VAL. 2/16/75	25 SEP 75	PBC2
NEXT HIGHER ASSY.		
B-DD-M7060-0	SIZE CODE	NUMBER
SCALE	D	CS M7060-0-1
SHEET 2 OF 3	DIST.	REV. B

THIS DRAWING AND SPECIFICATIONS HEREIN ARE THE PROPERTY OF DIGITAL EQUIPMENT CORPORATION AND SHALL NOT BE REPRODUCED OR COPIED OR USED IN WHOLE OR IN PART AS THE BASIS FOR THE MANUFACTURE OR SALE OF ITEMS WITHOUT WRITTEN PERMISSION. COPYRIGHT © 1975, DIGITAL EQUIPMENT CORPORATION.

INTERRUPT CONTROL



* NOTE:
1. ADDRESS - INSERT JUMPER FOR 00
VECTOR - INSERT JUMPER FOR a 1.

ADDRESS DECODES

PIN NOMENCLATURE
MODULE SYSTEM UNIT

UNIT	A	B	C	D	E	F
1						
2						
3						
4						
5						
6						
7						
8						
9						
10						
11						
12						
13						
14						
15						
16						
17						
18						
19						
20						
21						
22						
23						
24						
25						
26						
27						
28						
29						
30						

NOTE:
PIN NOTATION THROUGH-OUT IS ORDERED UPON MODULE PLACEMENT IN THE SYSTEM UNIT. SEE CHART ABOVE.

VECTOR ADDRESS

DRN. R. W. Coombs 4-16-75	FIRST USED ON	digital
CHKD. <i>[Signature]</i> 25-07-75	TITLE	PUSH BUTTON CONTROL
ENG. <i>[Signature]</i> 7/23/75	NUMBER	M7060-0-1
PROG. ENG. <i>[Signature]</i> 8/20/75	REV.	B
PROD. <i>[Signature]</i> 8/20/75	SIZE CODE	D CS
NEXT HIGHER ASSY.	SCALE	SHEET 3 OF 3

REV.	CHANGE NO.

CUSTOMER PRINT SET INDEX

THIS IS PRINT SET

- | | |
|---|---|
| SEQUENCE
DRAWING DIRECTORY, LK04
ASSEMBLY, LK04
PUSHBUTTON PAD
DC CONVERTER
PUSHBUTTON CABLE | SEQUENCE
B-DD-LK04-0
D-UA-LK04-0-0
B-00-5411054-0
B-DD-W771-0
D-IA-7010579-0-0 |
|---|---|

UNIT VARIATIONS		PRINT SET			
VAR	TITLE	LK04			
LK04-0	ASSEMBLY, LK04	X			
LK04-A	ASSEMBLY LK04 & 35' CABLE	X			
LK04-B	ASSEMBLY LK04 & 15' CABLE	X			

REVISIONS		DATE	CHG. NO.	REV
		5-76	LK04-1	A
		9-76	LK04-2	B

USED ON OPTION/MODEL	DRN. C.B. MCCOY	DATE 5-1-75	TITLE ASSEMBLY, LK04				
	CHK'D. <i>OK</i>	DATE 5-29-75					
	PROJ. ENG. <i>Harvey L...</i>	DATE 9-5-75					
	PROD. <i>[Signature]</i>	DATE 9-8-75	SIZE B	CODE DD	NUMBER LK04-0		REV B
	FIELD SERV. <i>[Signature]</i>	DATE 8 SEPT 75	DIST				
SHEET 1 OF 2							

DEC 16-13351-1062-1A-R072

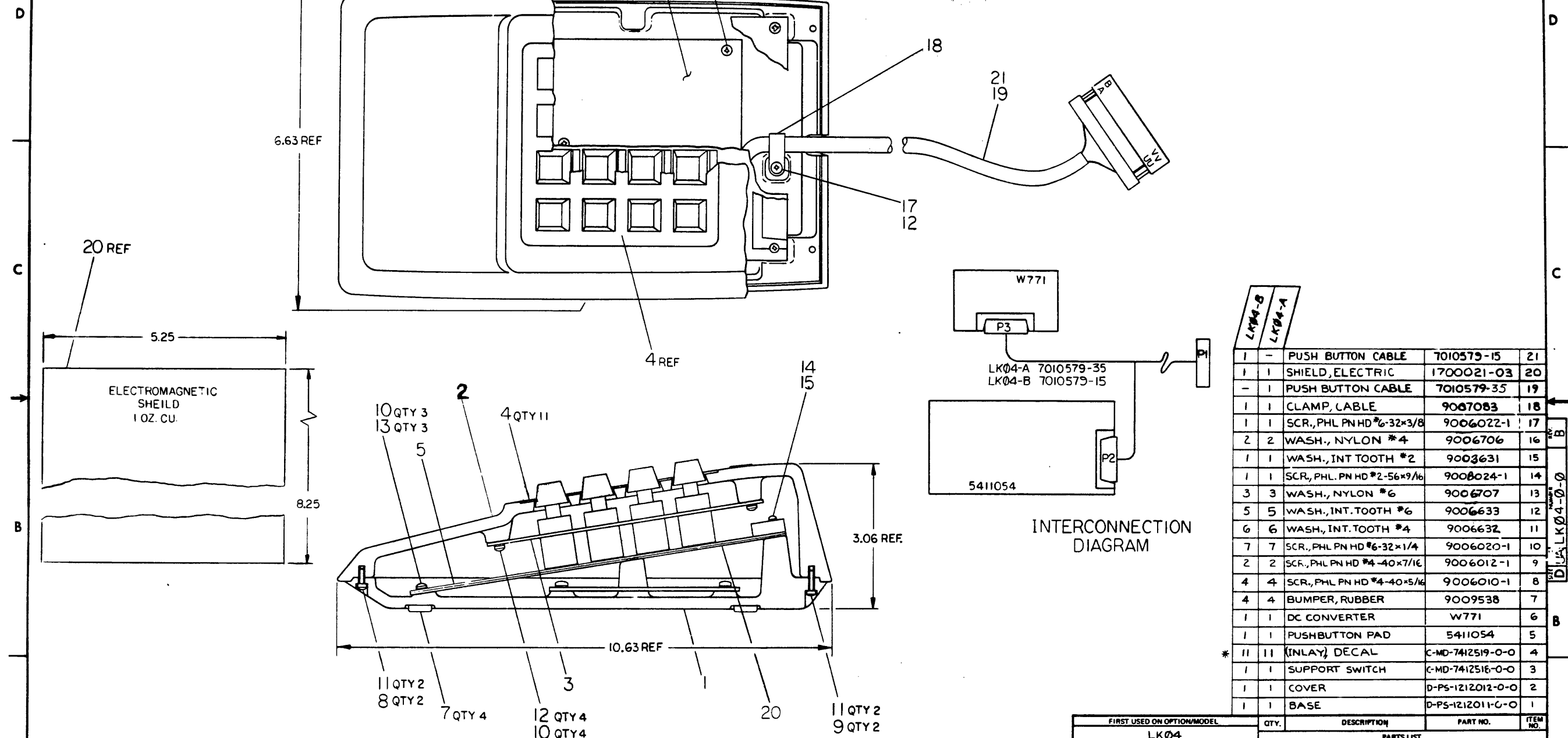
CUSTOMER PRINT SET		ELECTRICAL					CUSTOMER PRINT SET		MECHANICAL						
LKØ4	MFG. SET	FIND NO.	DRAWING NO.	REV	NO OF SHT	DESCRIPTION	OPTION NO./FILE DATE	LKØ4	MFG. SET	FIND NO.	DRAWING NO.	REV	NO OF SHT	DESCRIPTION	OPTION NO./FILE DATE
X		1	D-UA-LKØ4-Ø-Ø	#	1	ASSEMBLY, LKØ4				1	D-UA-LKØ4-Ø-Ø	#	1	ASSEMBLY, LKØ4	
C			B-DD-5411054-0	#	1	PUSHBUTTON PAD					D-PS-1212011-0-0	#	1	BASE	
C			B-DD-W771-Ø	#	1	DC CONVERTER					D-PS-1212012-0-0	#	2	COVER	
											C-MD-7412518-0-0	#	1	SUPPORT SWITCH	
											C-MD-7412519-0-0	#	1	INLAY	
								X			D-IA-7010579-0-0	#	1	PUSHBUTTON CABLE	
											A-PS-1700021-03	#	1	ELECTROMAGNETIC SHEILD	
											A-PS-9905800-00			LKØ4 PKG INST.	

CUSTOMER PRINT SET CODES	X = PRINT OF DOCUMENT INCLUDED IN PRINT SET C = INCLUDES ALL PRINTS INDICATED ON DOCUMENT S = CONFIDENTIAL AUTHORIZED SIGNATURE REQUIRED	TITLE	ASSEMBLY, LKØ4	SHEET 2 OF 2	SIZE CODE	B DD	NUMBER	LKØ4-Ø	REV	B
--------------------------	--	-------	----------------	--------------	-----------	------	--------	--------	-----	---

THIS DRAWING AND SPECIFICATIONS HEREIN ARE THE PROPERTY OF DIGITAL EQUIPMENT CORPORATION AND SHALL NOT BE REPRODUCED OR COPIED OR USED IN WHOLE OR IN PART AS THE BASIS FOR THE MANUFACTURE OR SALE OF ITEMS WITHOUT WRITTEN PERMISSION. COPYRIGHT © 1974, DIGITAL EQUIPMENT CORPORATION

0-0-00770 2

NOTES
 #1 (1) DECAL 7412519 IS ON LK04.
 NO DECALS SHIP AS CUSTOMER SPARES.



QTY.	DESCRIPTION	PART NO.	ITEM NO.
1	PUSH BUTTON CABLE	7010579-15	21
1	SHIELD, ELECTRIC	1700021-03	20
1	PUSH BUTTON CABLE	7010579-35	19
1	CLAMP, CABLE	9007083	18
1	SCR., PHL PN HD #6-32x3/8	9006022-1	17
2	WASH., NYLON *4	9006706	16
1	WASH., INT TOOTH *2	9003631	15
1	SCR., PHL. PN HD #2-56x9/16	9008024-1	14
3	WASH., NYLON *6	9006707	13
5	WASH., INT. TOOTH *6	9006633	12
6	WASH., INT. TOOTH *4	9006632	11
7	SCR., PHL PN HD #6-32x1/4	9006020-1	10
2	SCR., PHL PN HD #4-40x7/16	9006012-1	9
4	SCR., PHL PN HD #4-40x5/16	9006010-1	8
4	BUMPER, RUBBER	9009538	7
1	DC CONVERTER	W771	6
1	PUSHBUTTON PAD	5411054	5
* 11	(INLAY) DECAL	C-MD-7412519-0-0	4
1	SUPPORT SWITCH	C-MD-7412516-0-0	3
1	COVER	D-PS-1212012-0-0	2
1	BASE	D-PS-1212011-0-0	1

INTERCONNECTION DIAGRAM

FIRST USED ON OPTION/MODEL		QTY.	DESCRIPTION	PART NO.	ITEM NO.
LK04					
DIMENSIONAL TOLERANCE		PARTS LIST			
DIMENSIONS ARE INCHES UNLESS OTHERWISE SPECIFIED		DRN. Carl Mc Coy	DATE 10-2-74	digital	
		CHKD. J. G. Cothran	DATE 5-29-75		
		ENGR. J. G. Cothran	DATE 5-29-75	TITLE ASSEMBLY LK04	
		PROJ. ENGR. Steve R. Brown	DATE 11/17/75		
		PROD. [Signature]	DATE 5-8-75		
THIRD ANGLE PROJECTION		REMOVE BURRS AND BREAK SHARP CORNERS SURFACE QUALITY		NEXT HIGHER ASSY.	
MATERIAL SEE PARTS LIST		FINISH		SIZE CODE NUMBER REV. B-DD-LK04-0 DUA LK04-0-0 B	
		SCALE 1/1		SHEET 1 OF 1	

REV.	CHANGE NO.	DATE	BY
1	1	10/2/74	Carl Mc Coy
2	1	5/29/75	J. G. Cothran
3	1	5/29/75	J. G. Cothran
4	1	11/17/75	Steve R. Brown
5	1	5/8/75	[Signature]

SEC FORM NO 108-B

digital EQUIPMENT CORPORATION
MAYNARD MASSACHUSETTS

DRAWING DIRECTORY

"THIS DRAWING AND SPECIFICATIONS, HEREIN, ARE THE PROPERTY OF DIGITAL EQUIPMENT CORPORATION AND SHALL NOT BE REPRODUCED OR COPIED OR USED IN WHOLE OR IN PART AS THE BASIS FOR THE MANUFACTURE OR SALE OF ITEMS WITHOUT WRITTEN PERMISSION. COPYRIGHT © 1975 , DIGITAL EQUIPMENT CORPORATION"

CUSTOMER PRINT SET INDEX

THIS IS PRINT SET

SEQUENCE

SEQUENCE

D-UA-5411054-0-0
D-CS-5411054-0-1

PUSH BUTTON PAD
PUSH BUTTON PAD

UNIT VARIATIONS

VAR	TITLE	PRINT SET	
5411054	PUSH BUTTON PAD		

DATE	CHG. NO.	REV
11 NOV 77	0001	A
10 NOV 77	0002	B

USED ON OPTION/MODEL	DATE
LK04	24 SEP 75
PROJECT	24 SEP 75
FIELD SERV.	23 SEP 75
FIELD SERV.	25 SEP 75
FIELD SERV.	25 SEP 75

TITLE	SIZE	CODE	NUMBER	REV
PUSH BUTTON PAD	B	DD	5411054-0	B
DIST				

DEC 16-1981-106-1A-R92

CUSTOMER
PRINT SET

MFG SET

REVISION CONTROL SHEET

DRAWING NO

NO
OF
SHT

DESCRIPTION

OPTION
NO/FILE
DATE

REVISIONS

D-UA-5411054-0-0	3	PUSH BUTTON PAD	C D E
D-CS-5411054-0-1	2	PUSH BUTTON PAD	C D E

K-CO-5411054-0-4	1	PUSH BUTTON PAD (CALDEC DATA BASE)	D D E
D-AH-5411054-0-5	1	PUSH BUTTON PAD	C D E
B-MH-5411054-0-6	1	MODULE ECO HISTORY	REF A B

5011053	-	ETCH CIRCUIT BOARD	D D E
---------	---	--------------------	-------

CUSTOMER
PRINT
SET
CODES

X = PRINT OF DOCUMENT INCLUDED IN PRINT SET
C = INCLUDES ALL PRINTS INDICATED ON DOCUMENT
S = CONFIDENTIAL AUTHORIZED SIGNATURE REQUIRED

ECO NO

ORIG

00001

00002

TITLE

PUSH BUTTON PAD

SHEET 2 OF 2

SIZE CODE

B DD

NUMBER

5411054-0

REV

B

This drawing and associated data are the property of Digital Equipment Corporation and shall not be reproduced, copied or used in whole or in part as the basis for the manufacture of parts without written permission.

NOTES:

1. FOR DRAWING DIRECTORY, REFER TO: B-DD-5411054-0.

2. UNLESS OTHERWISE SPECIFIED, THE FOLLOWING PIN NUMBERS APPLY:

PACKAGE TYPE	VCC	GND
16 PIN DIP	16	8
14 PIN DIP	14	7
7475	5	12
75451	8	4
74154	24	12
7380	8	1
75453	8	4

3. E8, E4, E5, E6, E11, E15, E18, E22, E23, E24, & E25 ARE HAND INSERTED UNLESS GIVEN FIRST PRIORITY AT INSERTION

QTY	REF DESIGNATION	DESCRIPTION	PART NO.	ITEM NO.
1		ETCH CIRCUIT BOARD	5011053	1
2	E1, E9	I.C. DEC 7430	1905579	2
4	E2, E10, E14, E21	I.C. DEC 7475	1909050	3
10	E3 THRU E6, E15, E18, E22 THRU E25	I.C. DEC 75453	1911036	4
1	E7	I.C. DEC 7410	1905576	5
2	E8, E17	I.C. DEC 74153	1905937	6
1	E11	I.C. DEC 75451	1910406	7
1	E12	I.C. DEC 74154	1909701	8
2	E13, E26	I.C. DEC 7474	1905547	9
1	E16	I.C. DEC 9602	1910951	10
1	E19	I.C. DEC 7442	1910045	11
1	E20	I.C. DEC 7380	1910390	12
18	R1 THRU R16, R20, R25	RES. 1.2K 5% 1/4W	1301320	13
2	R17, R18	RES. 10K 5% 1/4W	1300479	14
1	R19	RES. 20K 5% 1/4W	1302391	15
4	R21 THRU R24	RES. 100 5% 1/4W	1301322	16
16	R28 THRU R41	RES. 1.5K 5% 1/4W	1300391	17
24	C1, C4 THRU C18, C20, C21, C23 THRU C28	CAP. .01 ufd 20% 100V	1001610-01	18
1	C2	CAP. 100pf 5% 100V	1000015	19
1	C3	CAP. 47pf 5% 100V	1000011	20
3	C30, C31, C32	CAP. 6.8ufd 10% 35V	1005306	21
16	S1 THRU S16	SWITCH PUSHBUTTON	1211066	22
1	J1	CONN. 40 PIN RT ANGLE HEADER	1209941-02	23
16		LAMP	1212651-00	24
16		KEY CAP	1211301-32	25
				26
1		LATCH, LEFT, RT. ANG. HEADER	1209941-03	27
1		LATCH, RIGHT, RT. ANG. HEADER	1209941-04	28

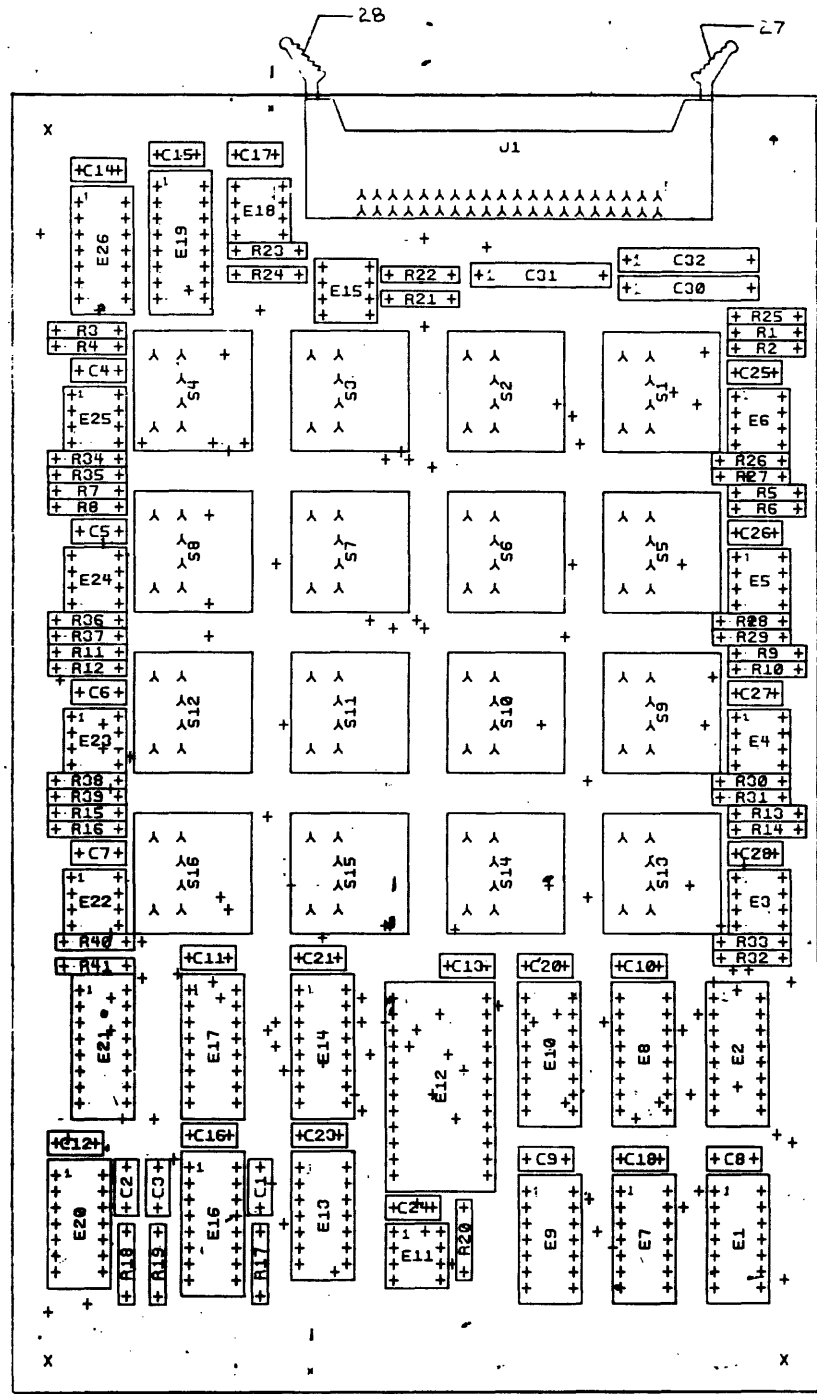
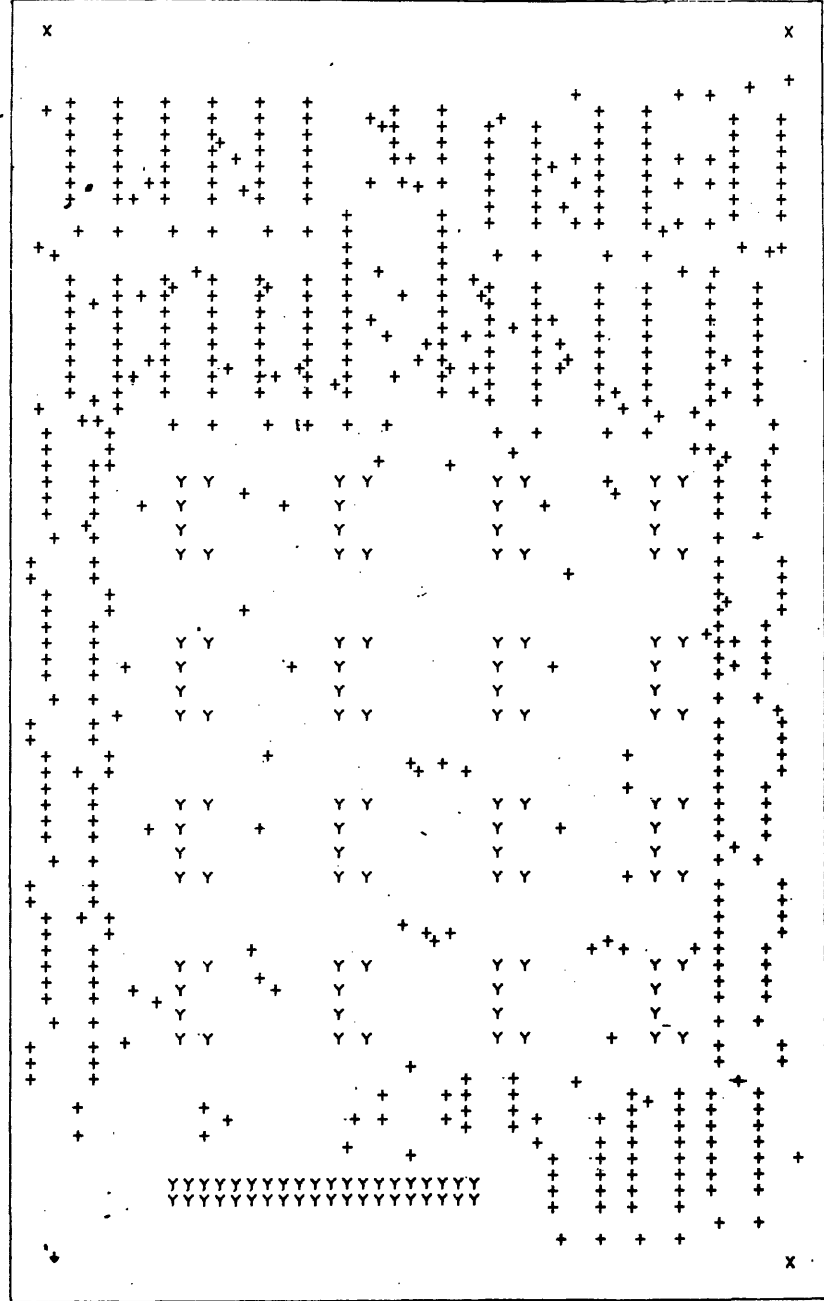
ETCH BOARD REV E

DRN. DATE 2-14-75	DATE 2-14-75	DIGITAL EQUIPMENT CORPORATION FAYARD WATSON - 36715
CHKD BY [Signature]	DATE 2-14-75	
ENG. DATE 2-14-75	DATE 2-14-75	PUSH BUTTON PAD
PROJ. ENG. DATE 2-14-75	DATE 2-14-75	
PRG. DATE 2-14-75	DATE 2-14-75	
NEXT HIGHER ASSY		
B-DD-5411054-0	SIZE CODE	NUMBER
SCALE 2 TO 1	D/JA	5411054-0-0
SHEET 1 OF 3	DIST.	REV. E

SEMICONDUCTOR CONVERSION CHART

DEC. NO.	EIA NO.	DEC. NO.	EIA NO.

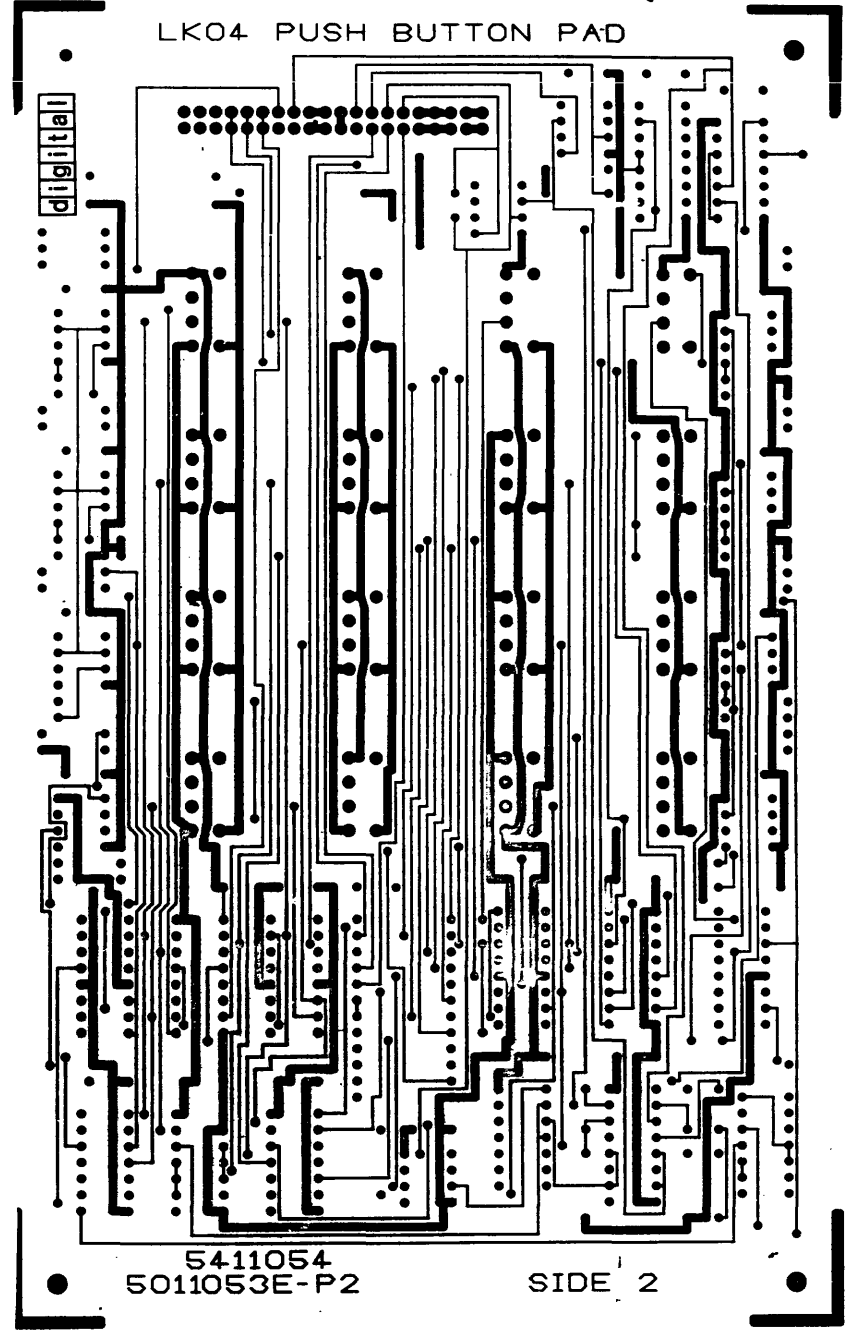
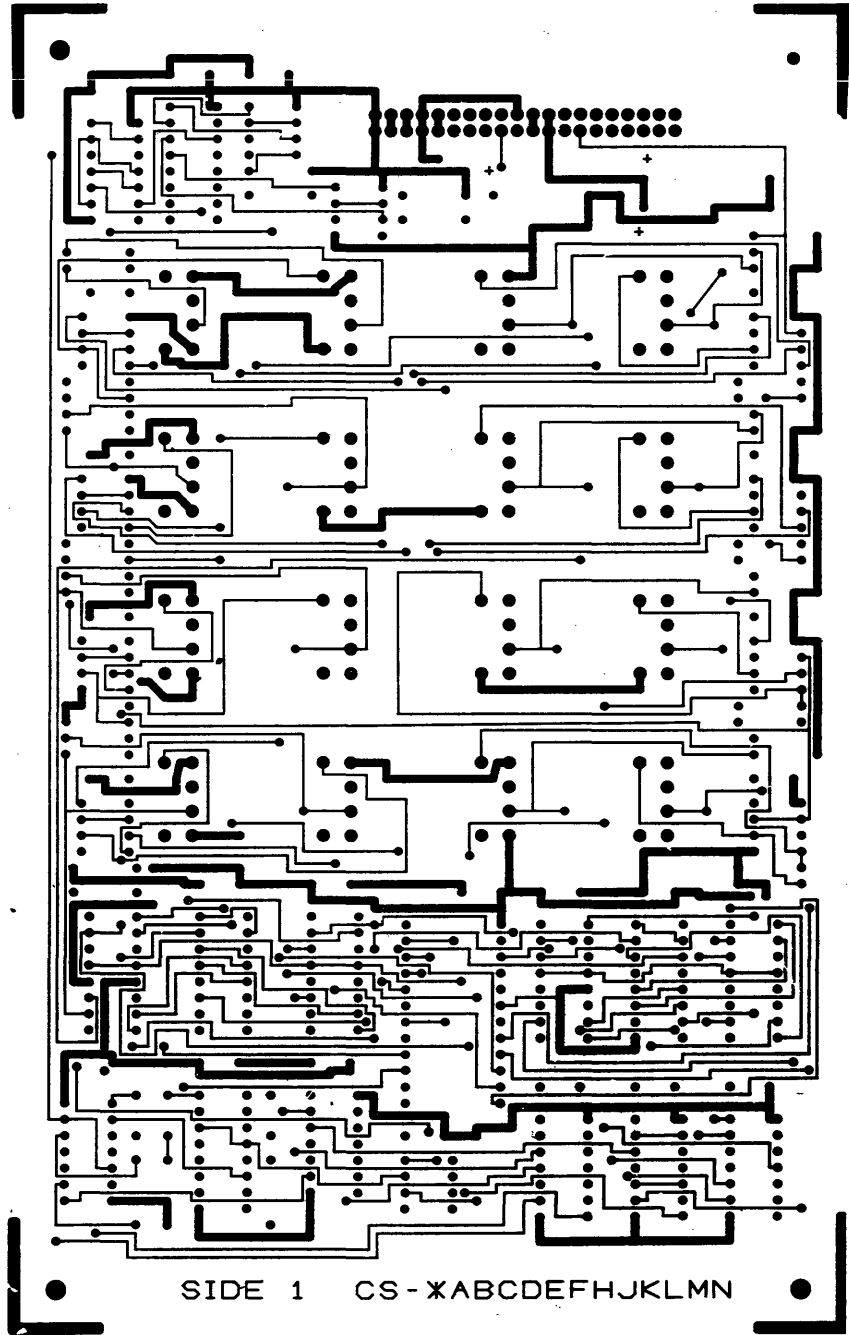
THIS DRAWING AND SPECIFICATIONS HEREIN ARE THE PROPERTY OF DIGITAL EQUIPMENT CORPORATION AND SHALL NOT BE REPRODUCED OR USED IN WHOLE OR IN PART AS THE BASIS FOR THE MANUFACTURE OR SALE OF ANYTHING WITHOUT THE WRITTEN PERMISSION OF DIGITAL EQUIPMENT CORPORATION.



REVISIONS		
CHK	CHANGE NO.	REV.

8	7	6	5	4	3	2	1	
TITLE PUSH BUTTON PAD							SIZE CODE D UA	NO. OF REV. 541054-0-5 E
SCALE 2/1		SHEET 2 OF 3		DIST				

THIS DRAWING AND SPECIFICATIONS HEREIN ARE THE PROPERTY OF DIGITAL EQUIPMENT CORPORATION AND SHALL NOT BE REPRODUCED OR USED IN WHOLE OR IN PART AS INSTRUCTIONS FOR THE MANUFACTURE OR SALE OF ANY EQUIPMENT WITHOUT THE WRITTEN PERMISSION OF DIGITAL EQUIPMENT CORPORATION.



REVISIONS		
CHK	CHANGE NO.	REV.

TITLE	SIZE CODE	NUMBER	REV.
PUSH BUTTON PAD	D	VA 5411054-0-5	E
SCALE 2/1	SHEET 3 OF 3	DIST	

5411054-0-5 E 2

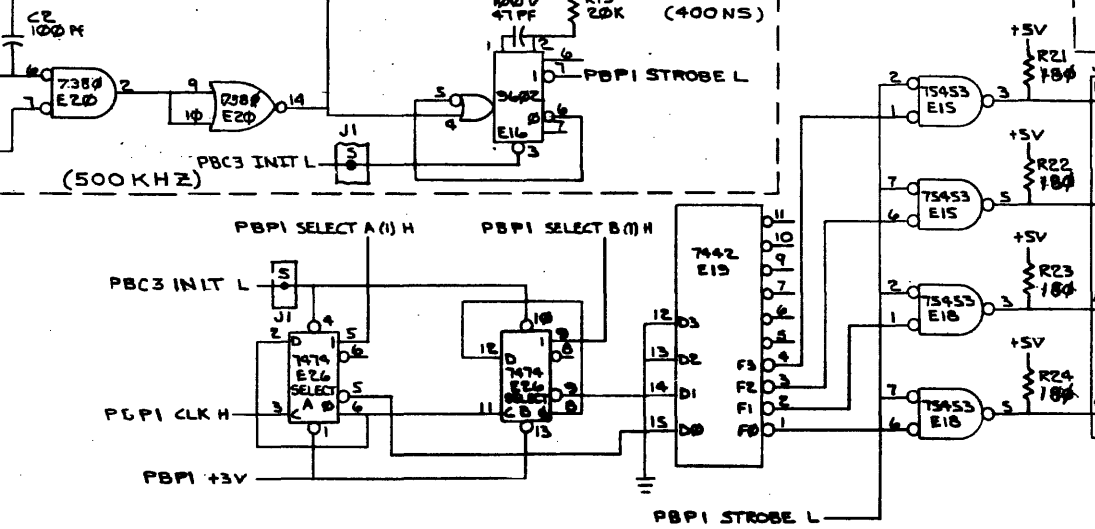
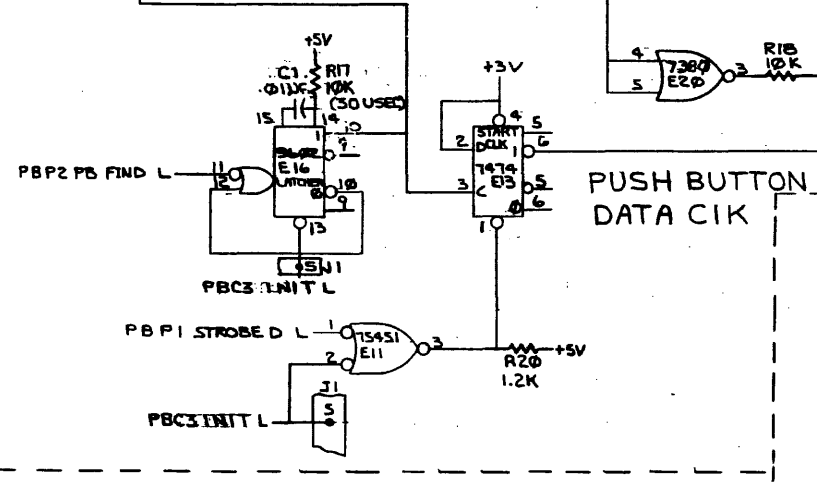
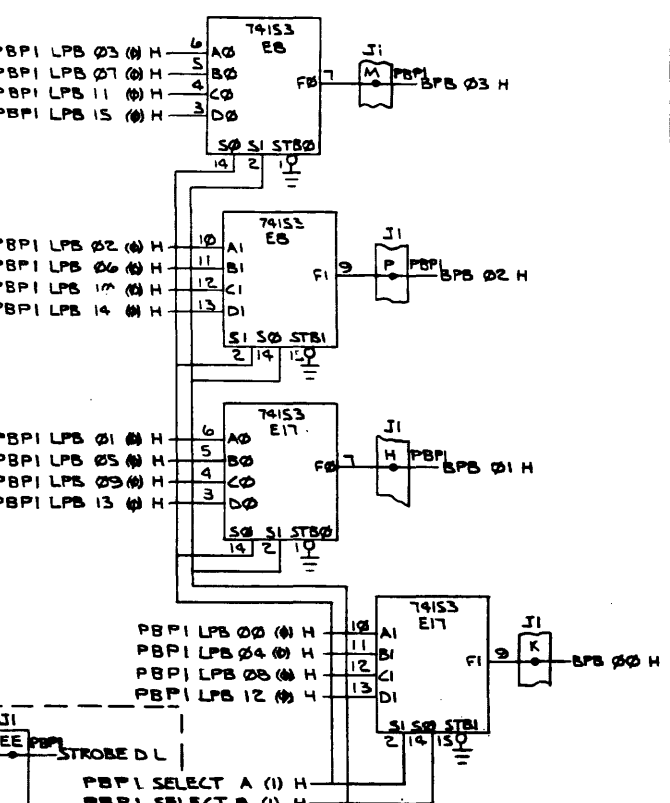
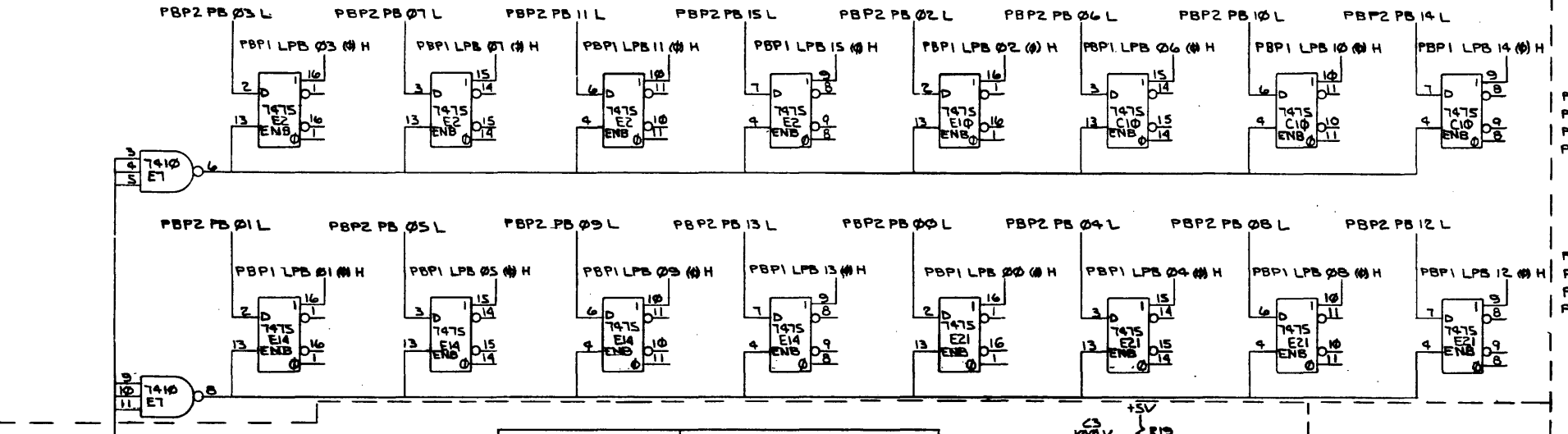
8 7 6 5 4 3 2 1

8 7 6 5 4 3 2 1

THIS DRAWING AND SPECIFICATIONS HEREIN ARE THE PROPERTY OF DIGITAL EQUIPMENT CORPORATION AND SHALL NOT BE REPRODUCED OR COPIED OR USED IN WHOLE OR IN PART AS THE BASIS FOR THE MANUFACTURE OR SALE OF ITEMS WITHOUT WRITTEN PERMISSION. COPYRIGHT © 1975, DIGITAL EQUIPMENT CORPORATION.

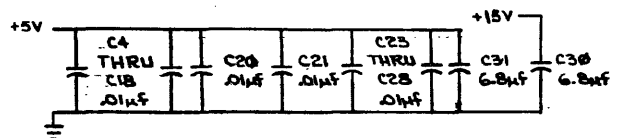
DIGITAL EQUIPMENT CORPORATION
5411054-C-1

PUSH BUTTON LATCHES



7475		
INPUT		OUTPUT
D	ENB	LPB XX (0) H
L	H	L
H	H	H
X	L	LEVEL OF OUTPUT BEFORE H→L TRANSITION OF ENB

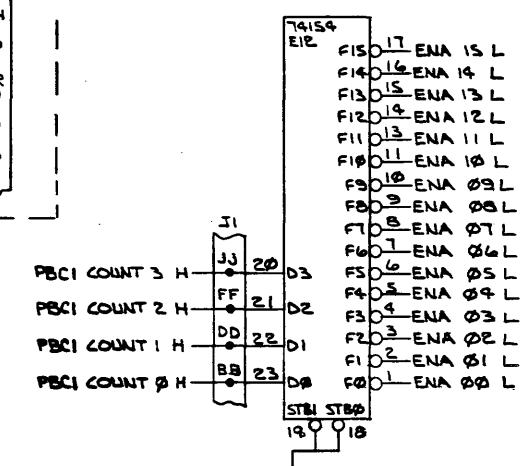
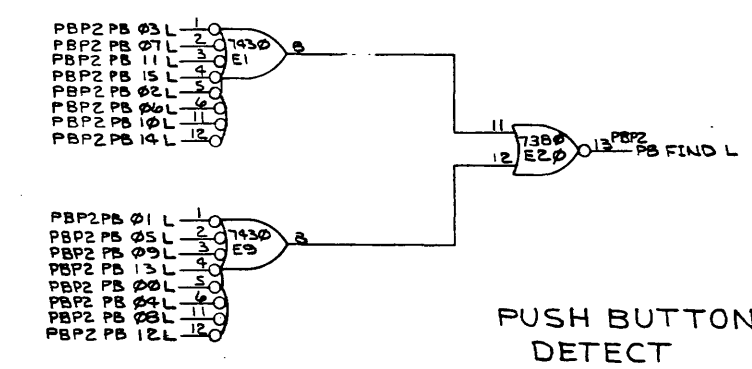
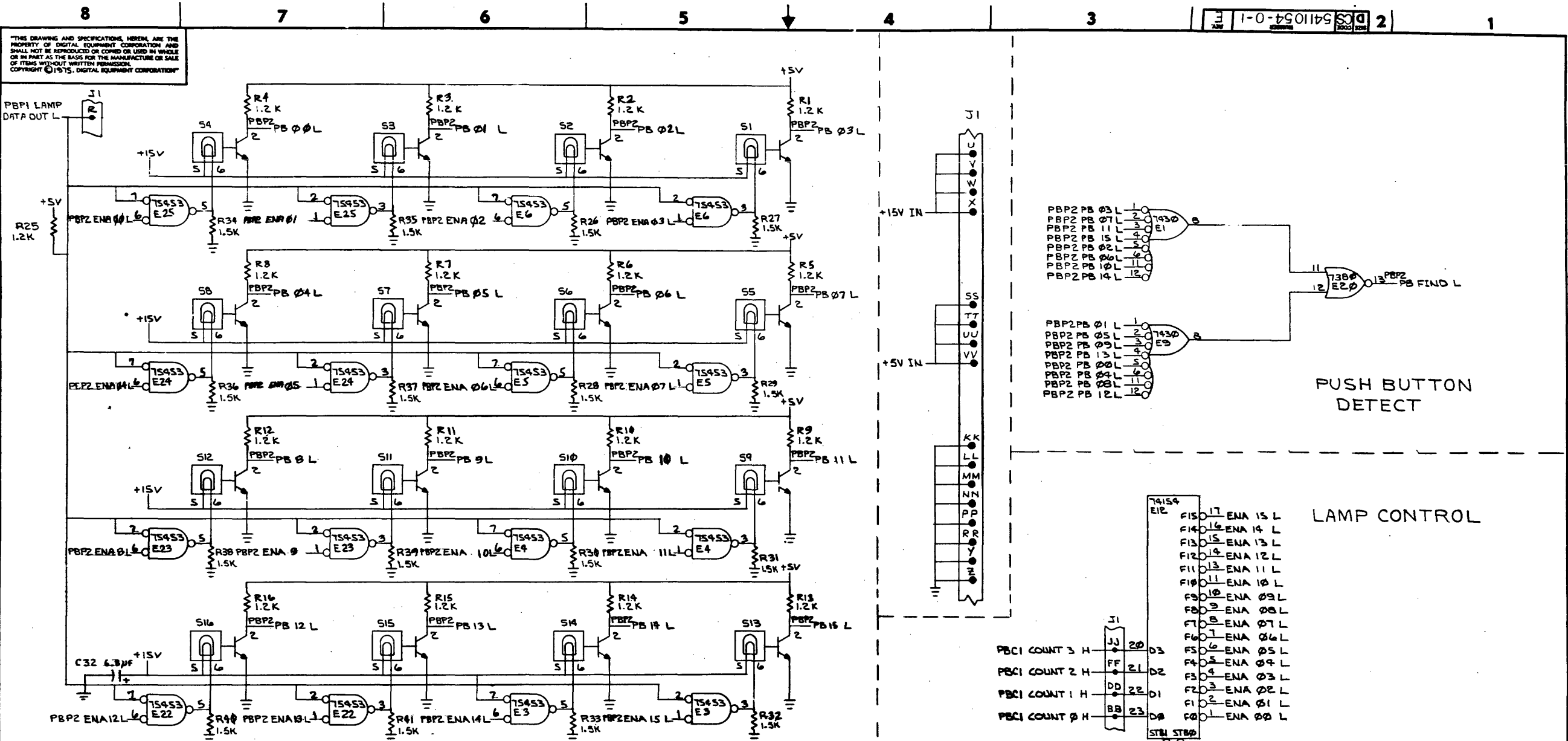
PUSH BUTTON DATA CONTROL



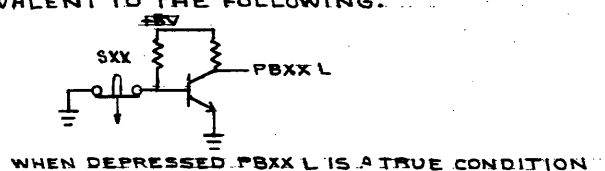
REV.	DATE	BY	CHKD	DESCRIPTION
1	03-20-75	ADZKEVICH		REVISED
2	03-20-75	ADZKEVICH		REVISED
3	03-20-75	ADZKEVICH		REVISED
4	03-20-75	ADZKEVICH		REVISED
5	03-20-75	ADZKEVICH		REVISED
6	03-20-75	ADZKEVICH		REVISED
7	03-20-75	ADZKEVICH		REVISED
8	03-20-75	ADZKEVICH		REVISED

DRN	REV.	DATE	FIRST USED ON
DIGITAL	1	03-20-75	LK04
CHK'D	1	03-20-75	
ENG.	1	03-20-75	
PROJ. ENG.	1	03-20-75	
PROD.	1	03-20-75	
NEXT HIGHER ASSY.			
B-DD-5411054-0	SIZE CODE	N/A-BER	REV.
SCALE	D	CS 5411054-0-1	E
SHEET 1	OF 2	DIST.	

THIS DRAWING AND SPECIFICATIONS HEREIN ARE THE PROPERTY OF DIGITAL EQUIPMENT CORPORATION AND SHALL NOT BE REPRODUCED OR COPIED OR USED IN WHOLE OR IN PART AS THE BASIS FOR THE MANUFACTURE OR SALE OF ITEMS WITHOUT WRITTEN PERMISSION. COPYRIGHT © 1975, DIGITAL EQUIPMENT CORPORATION



NOTE: 1. LAMP PORTION OF PUSH BUTTON IS CORRECT AS SHOWN
2. BUTTON PORTION OF PUSH BUTTON IS EQUIVALENT TO THE FOLLOWING:



DRN: 2-10-75	FIRST USED ON: LK04	Digital
CHK: 2-10-75	TITLE: LK04	
ENG: 2-10-75	PUSHBUTTON PAD	
PROJ. ENG: 2-10-75	PB P2	
NEXT HIGHER ASSY:	SIZE: D	NUMBER: 5411054-0-1
SCALE: 1:1	DIST:	REV: E
SHEET 2 OF 2		

REV:	
CHG:	
REVISIONS:	
CHANGE NO.:	

DEC FORM NO. 100 102-0

CUSTOMER PRINT SET				REVISION CONTROL SHEET																	
MFG SET				REVISIONS																	
				DRAWING NO	NO OF SHT	DESCRIPTION	OPTION NO/FILE DATE														
				D-UA-W771-Ø-Ø	3	5V TO 15V CONV.		A	B												
				D-CS-W771-Ø-1	1	5V TO 15V CONV.		A	B												
				K-CO-W771-Ø-4	1	5V TO 15V CONV.		B													
				D-AH-W771-Ø-5	2	5V TO 15V CONV.		A	B												
				B-MH-W771-Ø-6	1	MODULE ECO HISTORY		-	A												
				5011460	-	ETCH CIRCUIT BOARD		B													
CUSTOMER PRINT SET CODES				X = PRINT OF DOCUMENT INCLUDED IN PRINT SET C = INCLUDES ALL PRINTS INDICATED ON DOCUMENT S = CONFIDENTIAL AUTHORIZED SIGNATURE REQUIRED				ECO NO	ORIG												
							TITLE	5V TO 15V CONV.				SHEET 2 OF 2	SIZE	CODE	NUMBER		REV				
											B	DD	W771-Ø		A						

8 7 6 5 4 3 2 1

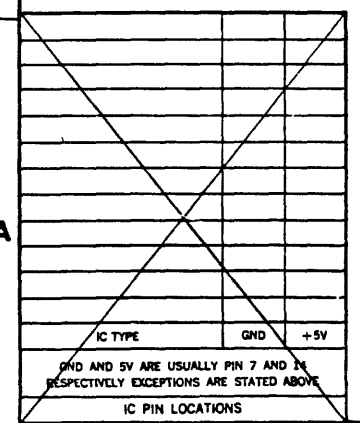
THIS DRAWING AND SPECIFICATIONS HEREIN ARE THE PROPERTY OF DIGITAL EQUIPMENT CORPORATION AND SHALL NOT BE REPRODUCED OR USED IN WHOLE OR IN PART AS THE BASIS FOR THE MANUFACTURE OR SALE OF ITEMS WITHOUT WRITTEN PERMISSION.
 COPYRIGHT © 1975 DIGITAL EQUIPMENT CORPORATION

NOTES:
 1. FOR DRAWING DIRECTORY, REFER TO: B-DD-W771-B

QTY	REF. DESIGNATION	DESCRIPTION	PART NO.	ITEM NO.
1		ETCHED CIRCUIT BOARD	5011480	1
2	C1, C2	CAP. .22uF 50V	1010274	2
2	C3, C4	CAP. 100uF 20V	1004815	3
1	C5	CAP. .47uF 20V	1000079	4
16		PCB T. LOTS	9C08735	5
4	D2-D5	DIODE 1N4004	1105798	6
1	D1	DIODE C672	1105275	7
1	J1	CONN. 40 PIN	1209841-02	8
2	R1, R2	RES. 10 5% 1/4W	1300168	9
1	R3	RES. 100 5% 1/4W	1300280	10
1	R4	RES. 470 5% 2W	1303062	11
2	Q1, Q2	TRANS. D45H8	1510708	12
1	F1	FUSE 5 AMP	1205747	13
1	T1	TRANSFORMER	1612044	14
3	W1, W2, W3	JUMPER, WHITE INSULATED	9009185	15
A/R		COMPOUND THERMAL	90C8288	16
2		SCR PHL HD PAN#4-40 X 1/4	90L8301-01	17
2		NUT KEPS#4-40	90J6557	18

D
C
B
A

D
C
B
A



FIRST USED ON OPTION MODEL: LK04

ORIGINATED	CHANGE NO.	REV.
W771-00001	A	

REVISIONS

DEC. NO.	EIA NO.	DEC. NO.	EIA NO.

ETCH BOARD REV.

DRN. DATE	DATE
B. Nichols 1-28-75	
ENGR. DATE	DATE
A. G. G. 1-28-75	
PROJ. ENGR. DATE	DATE
1-28-75	
PROD. DATE	DATE
1-28-75	

NEXT HIGHER ASSY: B-DD-W771-0

SCALE: NONE

SEMICONDUCTOR CONVERSION CHART

digital

TITLE: 5V TO 15V CONV.

SIZE CODE: DUA W771-0-0

NUMBER: B

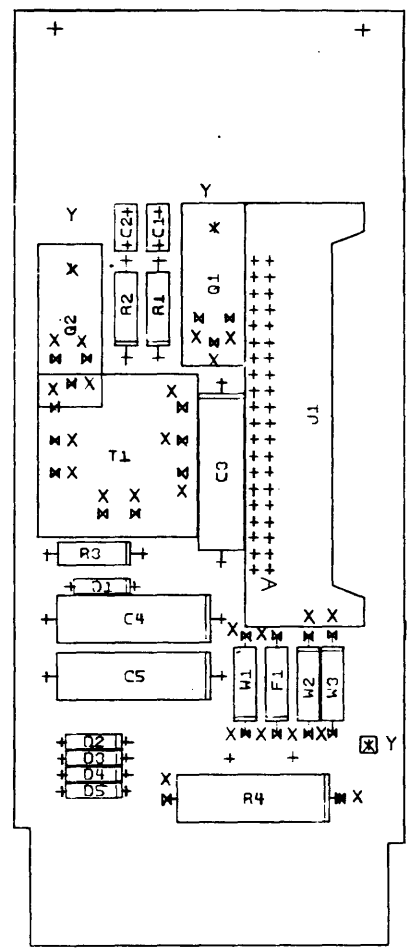
REV. B

SHEET 1 OF 3

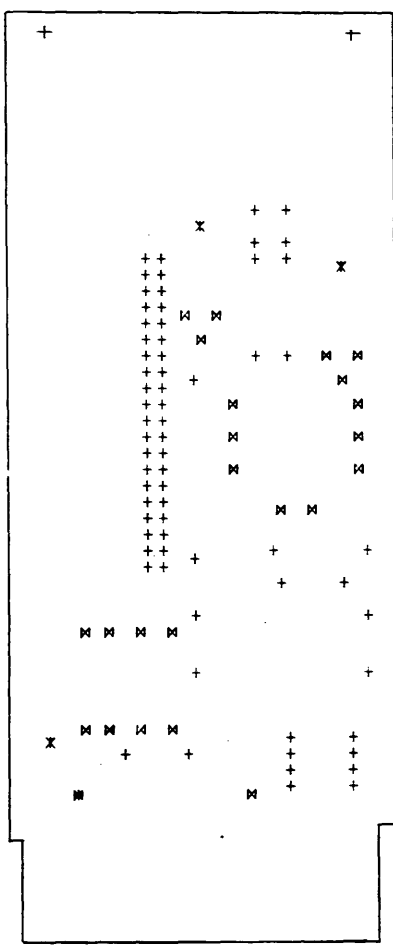
8 7 6 5 4 3 2 1

THIS DRAWING AND SPECIFICATIONS, WHETHER AND THE PROPERTY OF DIGITAL EQUIPMENT CORPORATION AND SHALL NOT BE REPRODUCED OR COPIED OR USED IN WHOLE OR IN PART AS THE BASIS FOR THE MANUFACTURE OR SALE OF ITEMS WITHOUT WRITTEN PERMISSION. COPYRIGHT © 1975 DIGITAL EQUIPMENT CORPORATION

D
C
B
A



SIDE 1



SIDE 2

NOTES:

CHG	CHANGE	NO	REV

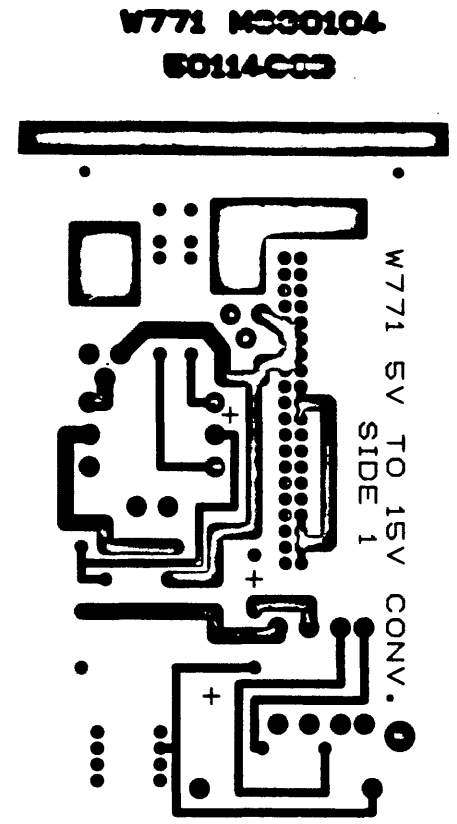
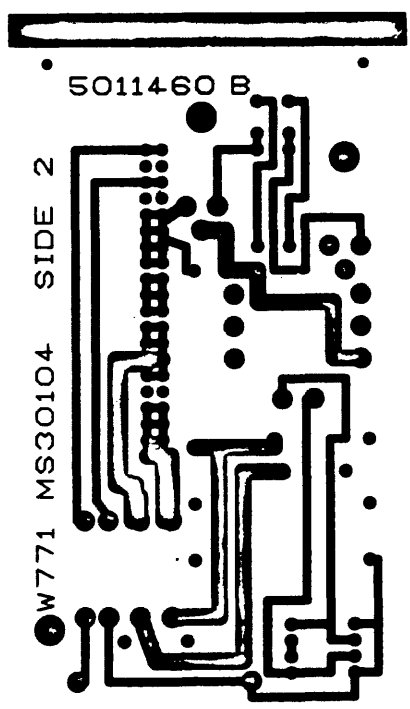
SIGNATURES	DATE	digital
DRN. <i>[Signature]</i>	4/26/75	
CHK. D. <i>[Signature]</i>	4/26/75	TITLE 5V TO 15V CONV
ENG. <i>[Signature]</i>	3/26/75	
PROJ. ENG. <i>[Signature]</i>	4/26/75	SIZE CODE NUMBER REV d UA W771-0-0 B
PROD. <i>[Signature]</i>	4/26/75	
SCALE 2/11		
SHT. 2 OF 3		
ETCH REV	FIRST USED ON	

D
C
B
A

0 UA W771-0-2

THIS DRAWING AND SPECIFICATIONS HEREIN ARE THE PROPERTY OF ELECTRONIC EQUIPMENT CORPORATION AND SHALL NOT BE REPRODUCED OR LOANED OR USED IN WHOLE OR IN PART AS THE BASIS FOR THE MANUFACTURE OR SALE OF ITEMS WITHOUT THE WRITTEN PERMISSION OF ELECTRONIC EQUIPMENT CORPORATION

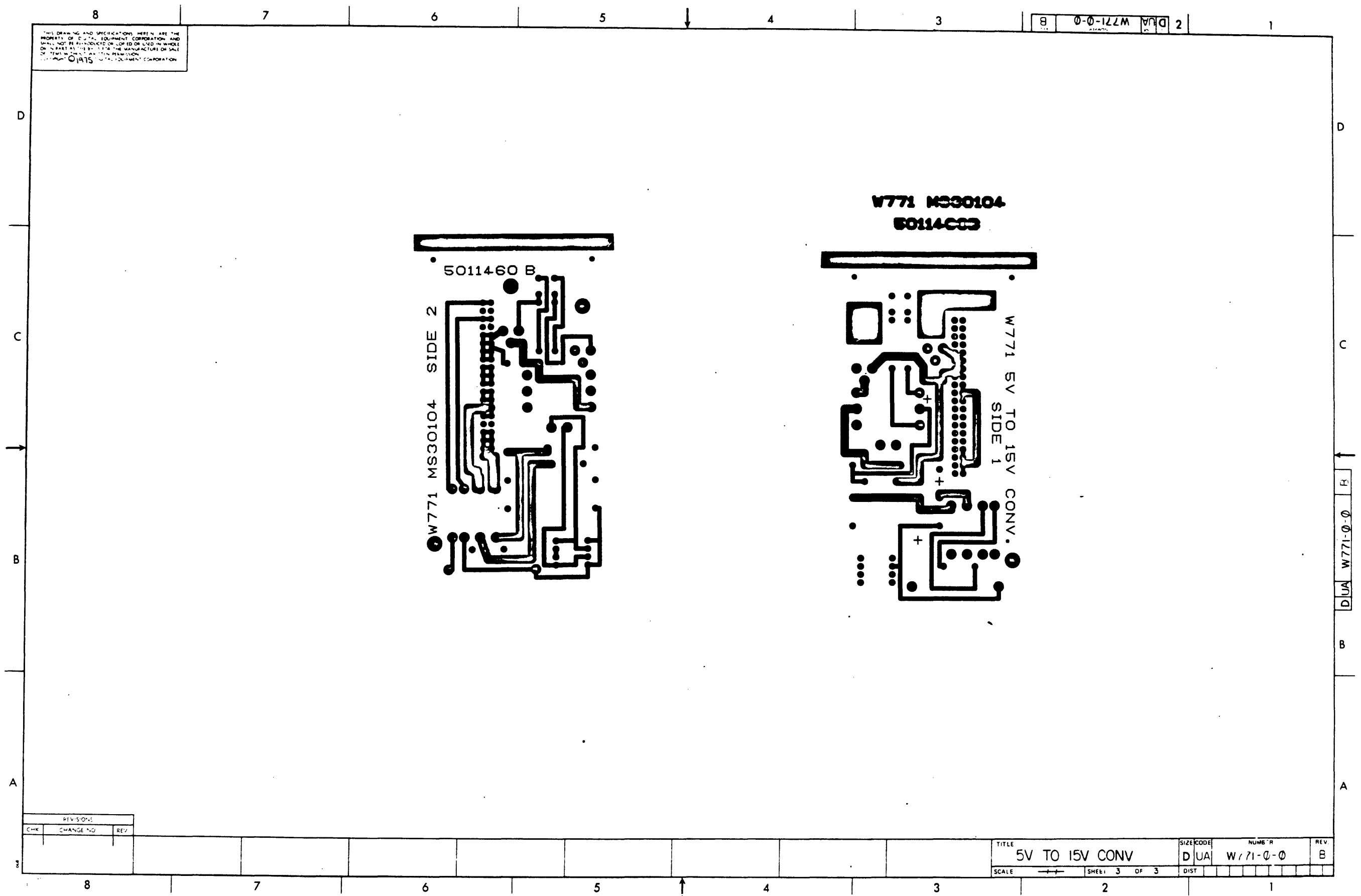
8 7 6 5 4 3 2 1
 B DUA W71-0-0 2



B
 DUA W71-0-0
 B

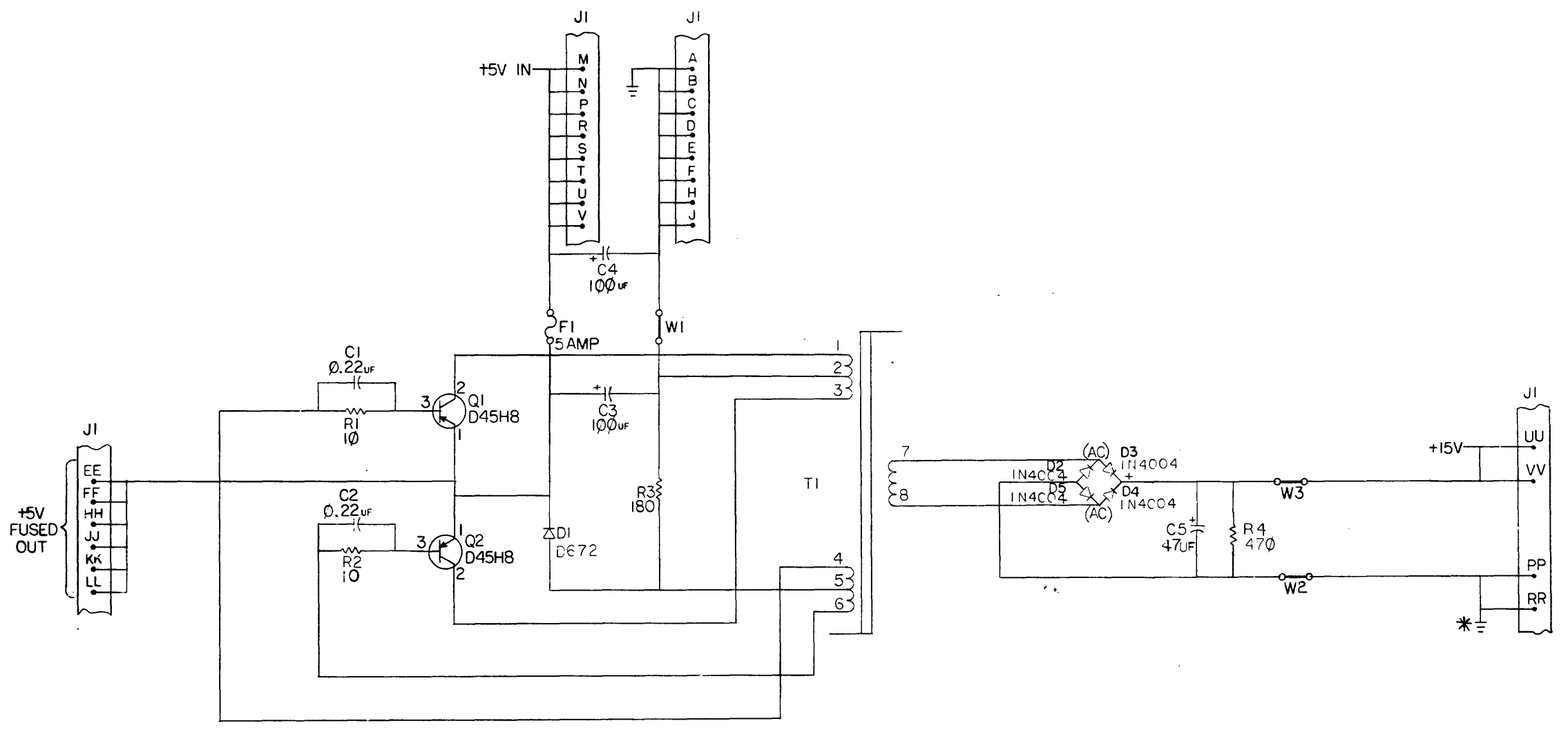
REVISIONS		
CHK	CHANGE NO	REV

TITLE	5V TO 15V CONV	SIZE CODE	DUA	NUMB'R	W71-0-0	REV	B
SCALE	1:1	SHEET	3	OF	3	DIST	



THIS DRAWING AND SPECIFICATIONS, HEREIN, ARE THE PROPERTY OF DIGITAL EQUIPMENT CORPORATION AND SHALL NOT BE REPRODUCED OR COPIED OR USED IN WHOLE OR IN PART AS THE BASIS FOR THE MANUFACTURE OR SALE OF ITEMS WITHOUT WRITTEN PERMISSION. COPYRIGHT © 1971, DIGITAL EQUIPMENT CORPORATION

1-0-122M 2



* GROUND IN CABLE CONNECTION

REV.	CHG. NO.	ORIGINATED	BY	DATE
A				
B				

DRN	1-29-75	FIRST USED ON	LK04	digital
CHK'D		TITLE	5V TO 15V CONV.	
ENG.		PROJ. ENG.		
PROD. ENG.		PROD. ENG.		
NEXT HIGHER ASSY.				
B-00-W771-0	SIZE	D	CODE	CS
SCALE			NUMBER	W 771-0-1
SHEET				REV. B

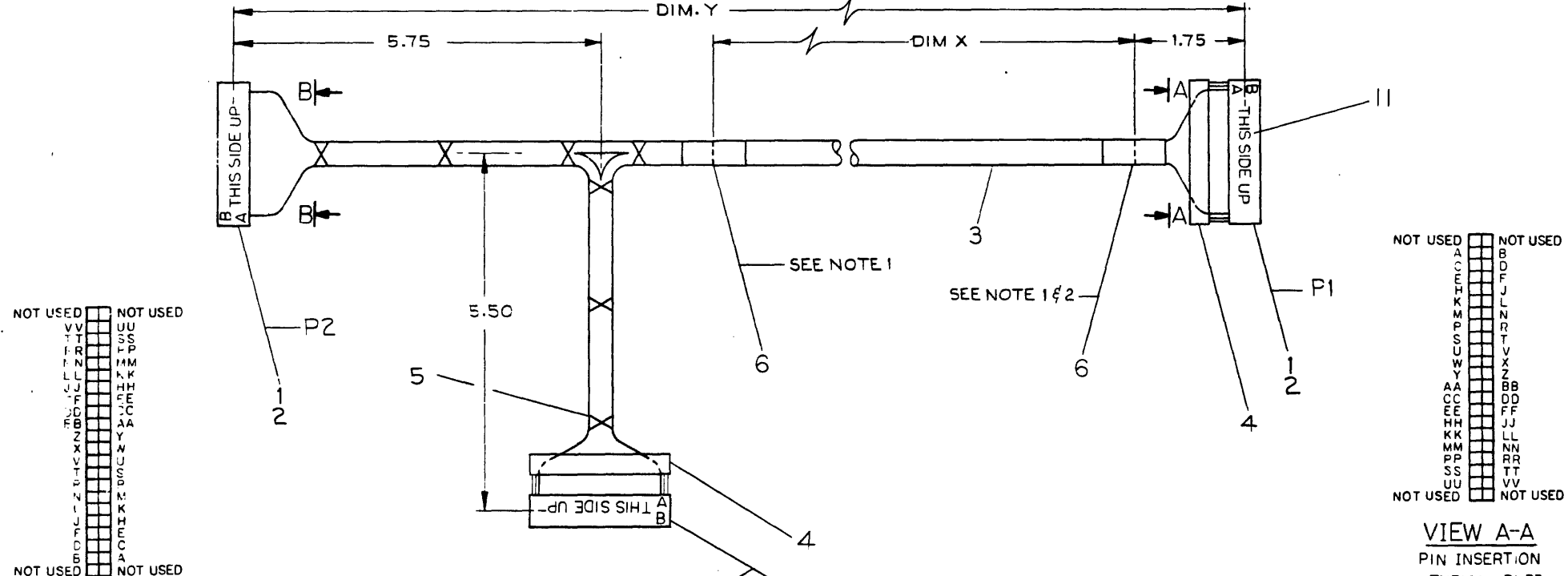
8 7 6 5 4 3 2 1

THIS DRAWING AND SPECIFICATIONS HEREIN ARE THE PROPERTY OF DIGITAL EQUIPMENT CORPORATION AND SHALL NOT BE REPRODUCED OR COPIED OR USED IN WHOLE OR IN PART AS THE BASIS FOR THE MANUFACTURE OR SALE OF ITEMS WITHOUT WRITTEN PERMISSION. COPYRIGHT © 1974, DIGITAL EQUIPMENT CORPORATION.

WIRE TABLE							
ITEM NO.	AWG	COLOR	FROM CONNECTION	WITH	TO CONNECTION	WITH	REMARKS
3	24	GRN	PI-H	2	P2-H	2	PBC1 BPB 01 L
	TWP	WHT	PI-A		P3-A		GND
		GRY	PI-K		P2-K		PBC1 BPB 00 L
		BLK	PI-B		P3-B		GND
		ORN	PI-M		P2-M		PBC1 BPB 03 L
		RED	PI-C		P3-C		GND
		GRY	PI-P		P2-P		PBC1 BPB 02 L
		WHT	PI-D		P3-D		GND
		BLU	PI-AA		P2-AA		PBPI STROBE BL
		YEL	PI-MM		P3-M		FUSED +5V
		BRN	PI-CC		P2-CC		PBPI STROBE AL
		WHT	PI-NN		P3-N		FUSED +5V
		RED	PI-EE		P2-EE		PBPI STROBE DL
		GRN	PI-PP		P3-P		FUSED +5V
		RED	PI-HH		P2-HH		PBPI STROBE CL
		BLU	PI-RR		P3-R		FUSED +5V
		GRN	PI-S		P2-S		PBC3 INIT L
		BLK	PI-SS		P2-SS		FUSED +5V
3	24	BRN	PI-J	2	P2-PP	2	GND
	TWP	BLK	PI-L	2	P2-RR	2	GND

WIRE TABLE (CON'T)							
ITEM NO.	AWG	COLOR	FROM CONNECTION	WITH	TO CONNECTION	WITH	REMARKS
3	24	BRN	PI-Z	2	P2-R	2	PBC1 LAMP DATA L
	TWP	RED	PI-TT		P2-TT		FUSED +5V
		YEL	PI-BB		P2-DD		PBC1 COUNT 1 L
		ORN	PI-UU		P2-UU		FUSED +5V
		BLU	PI-DD		P2-BB		PBC1 COUNT 0 L
		BLK	PI-VV		P2-VV		FUSED +5V
		BLU	PI-JJ		P2-FF		PBC1 COUNT 2 L
		WHT	PI-E		P2-MM		GND
		ORN	PI-FF		P2-JJ		PBC1 COUNT 3 L
		WHT	PI-F		P2-NN		GND
	24	ORN	PI-N		P3-E		GND
3	TWP	BLK	PI-R		P3-F		GND
7	24	BRN	P3-H		P3-PP		GND
8	24	BLK	P3-J		P3-RR		GND
9	24	ORN	P3-UU		P2-U		+15V
10	24	BLU	P3-VV		P2-V		+15V
3	24	RED	PI-T		P2-KK		GND
3	TWP	GRY	PI-V		P2-LL		GND
3	24	GRN	PI-X		P2-Y		GND
3	TWP	YEL	PI-LL	2	P2-Z	2	GND

NOTES
 1. CUT UNUSED WIRES AND INSULATION HERE (ITEM #3).
 2. USE 1 INCH SHRINK TUBING (ITEM #6) IN BOTH PLACES.



NOT USED

A	NOT USED
B	NOT USED
C	NOT USED
D	NOT USED
E	NOT USED
F	NOT USED
G	NOT USED
H	NOT USED
I	NOT USED
J	NOT USED
K	NOT USED
L	NOT USED
M	NOT USED
N	NOT USED
O	NOT USED
P	NOT USED
Q	NOT USED
R	NOT USED
S	NOT USED
T	NOT USED
U	NOT USED
V	NOT USED
W	NOT USED
X	NOT USED
Y	NOT USED
Z	NOT USED

NOT USED

A	NOT USED
B	NOT USED
C	NOT USED
D	NOT USED
E	NOT USED
F	NOT USED
G	NOT USED
H	NOT USED
I	NOT USED
J	NOT USED
K	NOT USED
L	NOT USED
M	NOT USED
N	NOT USED
O	NOT USED
P	NOT USED
Q	NOT USED
R	NOT USED
S	NOT USED
T	NOT USED
U	NOT USED
V	NOT USED
W	NOT USED
X	NOT USED
Y	NOT USED
Z	NOT USED

VIEW B-B
PIN INSERTION

VIEW A-A
PIN INSERTION
TYPICAL P1, P3

NUMBER	DIM. X	DIM. Y
7010579-15	15 FT. 0 IN. ± 1.5 IN.	15 FT. 7.5 IN. ± 1.5 IN.
7010579-35	35 FT. 0 IN. ± 3 IN.	35 FT. 7.5 IN. ± 3 IN.

VARIATION
LEGEND

QTY.	DESCRIPTION	PART NO.	ITEM NO.
3	LABEL	3611567	11
A/R	WIRE, #24 AWG BLU	9107450-06	10
A/R	WIRE, #24 AWG ORN	9107450-33	9
A/R	WIRE, #24 AWG BLK	9107450-10	8
A/R	WIRE, #24 AWG BRN	9107450-11	7
A/R	SHRINK TUBING, WHT 3/4	9107250-09	6
A/R	CABLE TIE	9007880	5
2	STRAIN RELIEF	1211166	4
A/R	CABLE, 36 COND.	9107700-0-0	3
80	PIN	1210089-C4	2
3	CONN. 40 SKT.	1210918-15	1

REV.	CHANGE NO.	DATE	BY	CHK'D.
1	7010579-00001	A		
2	7010579-00002	B		
3	7010579-00003	C		

REVISIONS
 A. ADELMAN
 J. DZIKOVICH
 01-01-76

FIRST USED ON OPTION/MODEL
LK04

DIMENSIONAL TOLERANCE
DIMENSIONS ARE IN INCHES UNLESS OTHERWISE SPECIFIED

MILLIMETERS	INCHES	ANGLES
XXX ± 0.10	XXX ± 0.008	40° 30'
XX ± 0.08	XX ± 0.02	
X ± 0.2	X ± 0.1	

THIRD ANGLE PROJECTION
REMOVE BURRS AND BREAK SHARP CORNERS SURFACE QUALITY

MATERIAL SEE PARTS LIST
FINISH

DRN. Cal McCay DATE 11-15-74
 CHK'D. DATE 12-1-74
 ENG. DATE 12-1-74
 PROJ. ENG. DATE 12-1-74
 PROD. DATE 12-1-74

TITLE
PUSHBUTTON CABLE

SIZE CODE NUMBER REV.
D-UA-LK04-0-0 DTA 7010579-0-0 C

SCALE 1/1 SHEET OF DIST.

DIGITAL EQUIPMENT CORPORATION MAYNARD, MASSACHUSETTS PARTS LIST				QUANTITY / VARIATION																	
MADE BY D.K.Crabbe		CHECKED <i>J.B.</i>		SECTION																	
DATE 11-26-75		DATE 26 NOV 75		1																	
ENG <i>[Signature]</i>		PROD <i>[Signature]</i>		ISSUED SECT.																	
DATE 11-26-75		DATE 8 DEC 75		1																	
ITEM NO.	DWG NO. / PART NO.	DESCRIPTION		LK11-Ø																	
1	A-SP-3700208	LK11 Pckg. Instr.		1																	
2	MAINDEC-11-DZLKA	Pushbutton Module Diagnostic		1																	
3	EK-LK11-TM	LK11 Pushbutton Option Tech. Man.		1																	
4	7412519-0-0	Inlay Decal		10																	
5	B-DD-LK11-0	LK11 Engineering Print Set		1																	
6	B-DD-LK04-0	LK04 Engineering Print Set		1																	
7	EK-LK11-TM	LK11 Technical Manual		1																	
8	MAINDEC-11-DZLKA	LK11 Diagnostics		1																	
TITLE SHIPPING LIST LK11				ASSY NO. D-UA-LK11-Ø-Ø		SIZE CODE A PL		NUMBER LK11-Ø-2					REV. A		ECO NO. LK11-00002						
SHEET 1 OF 1				DIST.																	