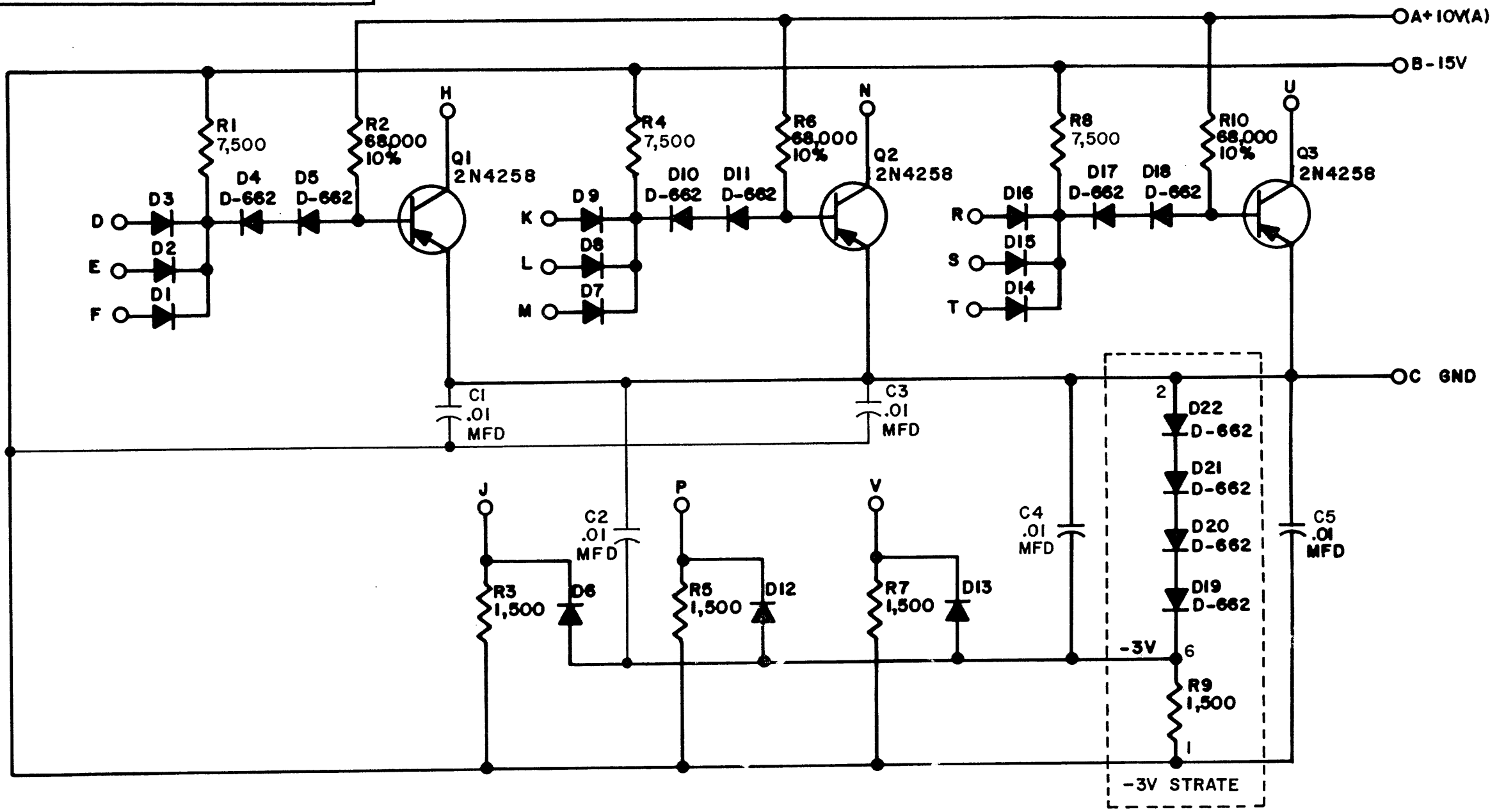


THIS SCHEMATIC IS FURNISHED ONLY FOR TEST AND MAINTENANCE PURPOSES. THE CIRCUITS ARE PROPRIETARY IN NATURE AND SHOULD BE TREATED ACCORDINGLY. COPYRIGHT 1966 BY DIGITAL EQUIPMENT CORPORATION



UNLESS OTHERWISE INDICATED:
RESISTORS ARE 1/4W; 5%
DIODES ARE D-664

USE THE ETCH BOARD OF THE BI15

REVISIONS CHK CHG NO. REV. 5662 A 5917 B	DRN <i>[Signature]</i> DATE 9/1/66	TRANSISTOR & DIODE CONVERSION CHART				digital EQUIPMENT CORPORATION MAYNARD, MASSACHUSETTS	TITLE DIODE GATE BI35			
	CHK'D <i>[Signature]</i> DATE 9/2/66	DEC 2N4258 D662 D664	EIA 2N4258 IN645 IN3606	DEC EIA	DEC EIA		SIZE B	CODE CS	NUMBER BI35-0-1	REV. B
	ENG D.A. Connor DATE 9/6/66	PROD'	DATE	DATE	DATE		PRINTED CIRCUIT REV.	C	[]	[]
	PROD'	DATE	DATE	DATE	DATE		[]	[]	[]	[]