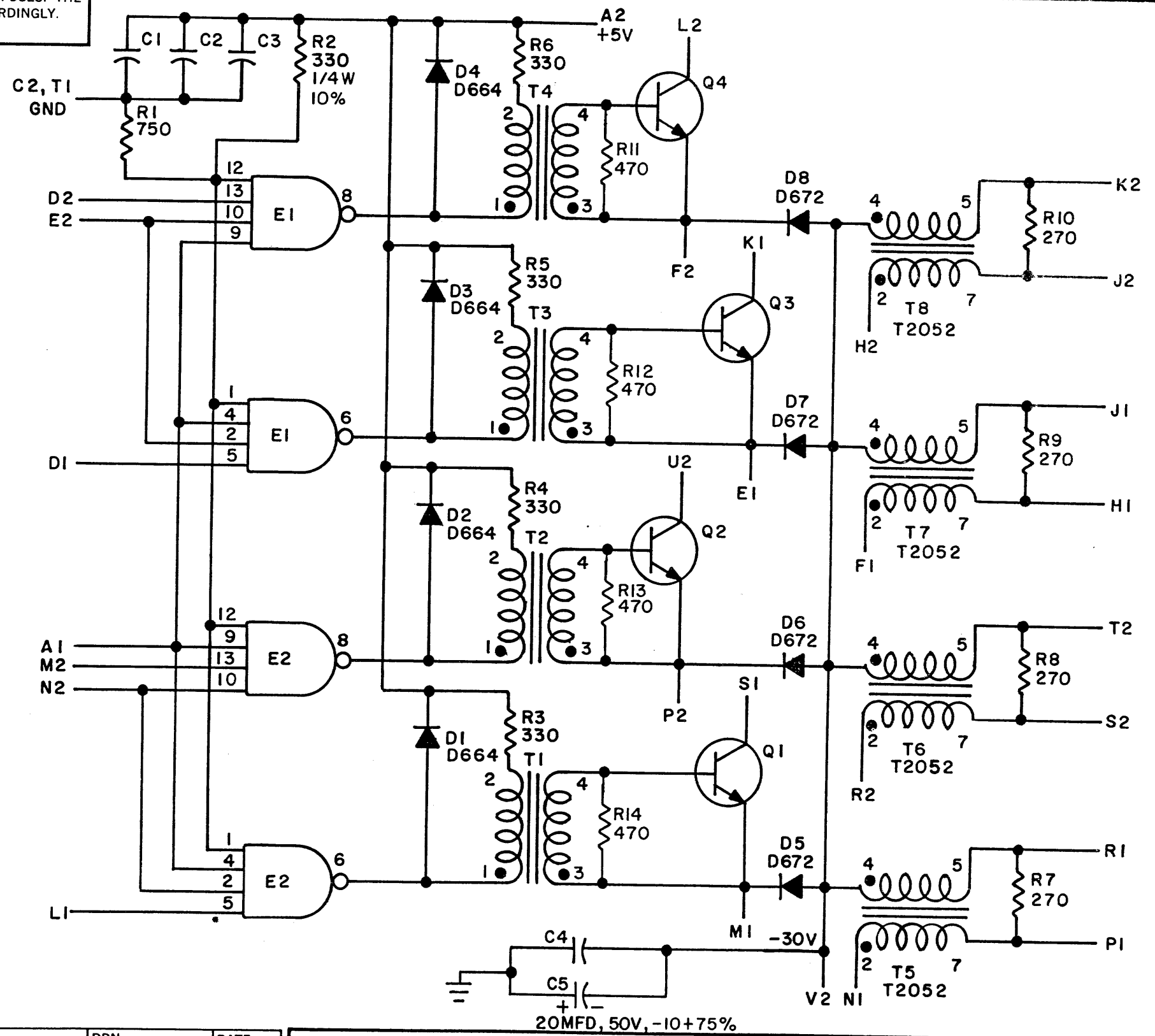


THIS SCHEMATIC IS FURNISHED ONLY FOR TEST AND MAINTENANCE PURPOSES. THE CIRCUITS ARE PROPRIETARY IN NATURE AND SHOULD BE TREATED ACCORDINGLY. COPYRIGHT 1967 BY DIGITAL EQUIPMENT CORPORATION

REV. F  
NUMBER G228-0-1  
SIZE CODE B CS



UNLESS OTHERWISE INDICATED:  
TRANSISTORS ARE DEC1008  
RESISTORS ARE 1/4W, 5%  
TRANSFORMERS ARE T2037  
IC'S ARE DEC7440N  
PIN 7 ON EACH IC = GND  
PIN 14 ON EACH IC = +5V  
CAPACITORS ARE .01MFD, 100V, 20%

20MFD, 50V, -10+75%

REVISONS	CHK	CHG NO.	REV.
	6452	A	
	00001	B	
	00002	E	
	00003	F	

DRN. <i>m. Waller</i>	DATE 4-4-67
CHK'D <i>[Signature]</i>	DATE
ENG. <i>[Signature]</i>	DATE 2/16/67
PROD.	DATE

TRANSISTOR & DIODE CONVERSION CHART			
DEC	EIA	DEC	EIA
DEC1008	MM1008		
D664	IN3606		
D672	IN3653		

**digital**  
EQUIPMENT CORPORATION  
MAYNARD, MASSACHUSETTS

TITLE INHIBIT DRIVER G228			
SIZE B	CODE CS	NUMBER G228-0-1	REV. F
PRINTED CIRCUIT REV. H			