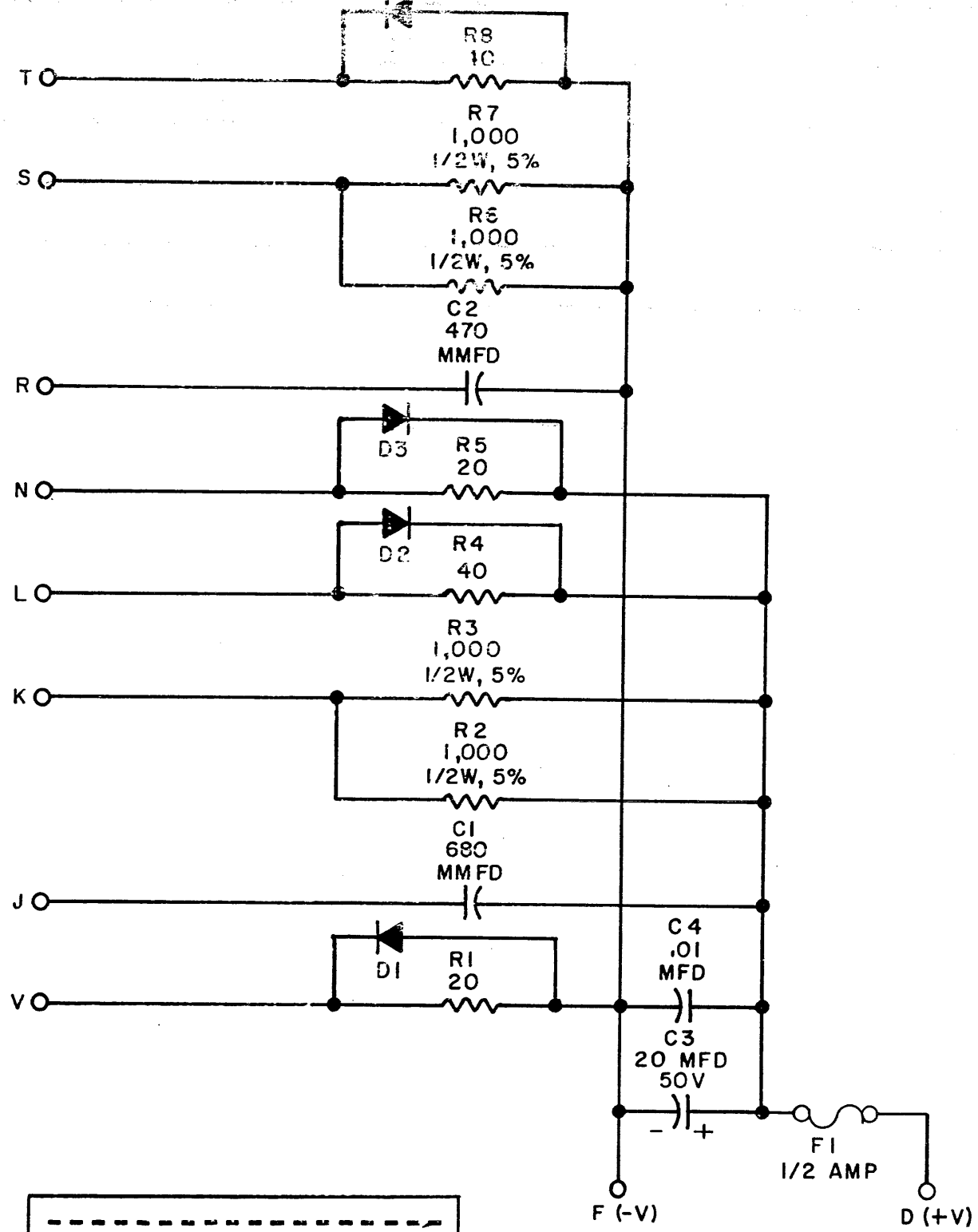


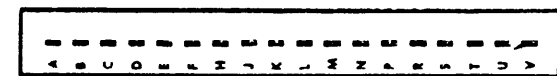
THIS SCHEMATIC IS FURNISHED ONLY FOR TEST AND MAINTENANCE PURPOSES. THE CIRCUITS ARE PROPRIETARY IN NATURE AND SHOULD BE TREATED ACCORDINGLY. COPYRIGHT 1967 BY DIGITAL EQUIPMENT CORPORATION

REV. B
NUMBER G626-0-1
SIZE CODE 321



UNLESS OTHERWISE INDICATED:
RESISTORS ARE 10W, 1% LOW INDUCTANCE
DIODES ARE D671

PARTS LIST IS A-PL-G626-0-0



REVISIONS	CHK	CHG NO.	REV.
		6863	A
		0001	B

DRN. <i>M. Haller</i>	DATE 5-22-67
CHK'D <i>S. Lyons</i>	DATE 5-24-67
ENG. <i>D. J. Chen</i>	DATE 5-24-67
PROD.	DATE

TRANSISTOR & DIODE CONVERSION CHART			
DEC	EIA	DEC	EIA
D671	IN3653		

digital
EQUIPMENT CORPORATION
MAYNARD, MASSACHUSETTS

TITLE RESISTOR BOARD G626			
SIZE B	CODE CS	NUMBER G626-0-1	REV. B
PRINTED CIRCUIT REV.			C