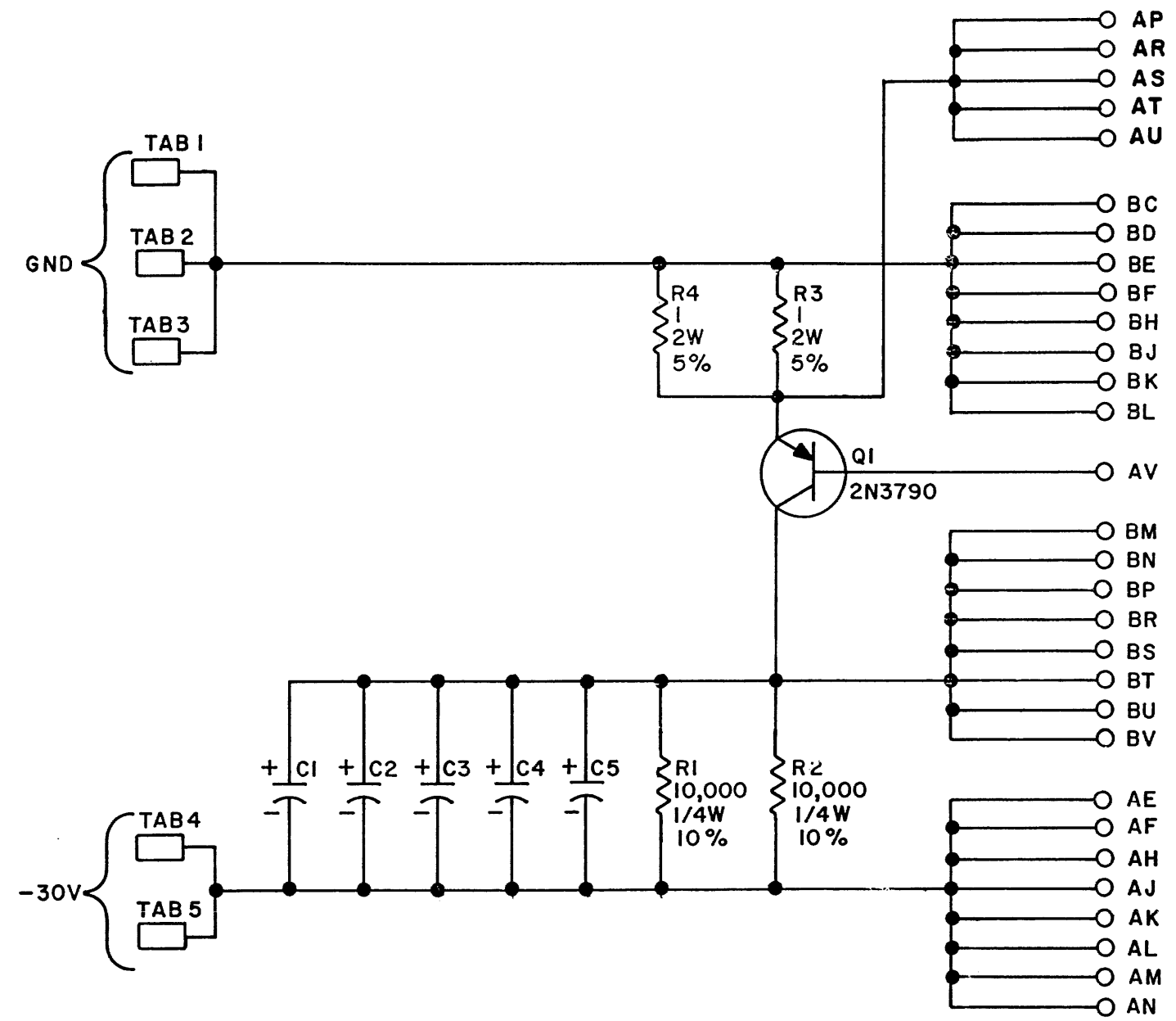


THIS SCHEMATIC IS FURNISHED ONLY FOR TEST AND MAINTENANCE PURPOSES. THE CIRCUITS ARE PROPRIETARY IN NATURE AND SHOULD BE TREATED ACCORDINGLY. COPYRIGHT 1966 BY DIGITAL EQUIPMENT CORPORATION



UNLESS OTHERWISE INDICATED:

CAPACITORS ARE 20MFD 50V, -10+75%

TABS ARE 250 SERIES FASTON TABS TYPE 60465-2 (AMP INC)

Q1 IS MOUNTED ON HEAT SINK, WAKEFIELD TYPE NC-623-A USING AN ANODIZED ALUMINUM INSULATING WASHER & WAKEFIELD TYPE 120 THERMAL JOINT COMPOUND

PARTS LIST A-PL-G805-0-0

REVISIONS	CHK	CHG NO.	REV.	B	C	D	E	F	H
		5902						7072	00002
		6468							

DRN.	DATE
CHK'D	DATE
ENG.	DATE
PROD.	DATE

TRANSISTOR & DIODE CONVERSION CHART			
DEC	EIA	DEC	EIA
2N3790	SAME		

digital
EQUIPMENT CORPORATION
MAYNARD, MASSACHUSETTS

TITLE				NEGATIVE REGULATOR G805			
SIZE	CODE	NUMBER	REV.				
B	CS	G805-0-1	H				
PRINTED CIRCUIT REV.			EF				