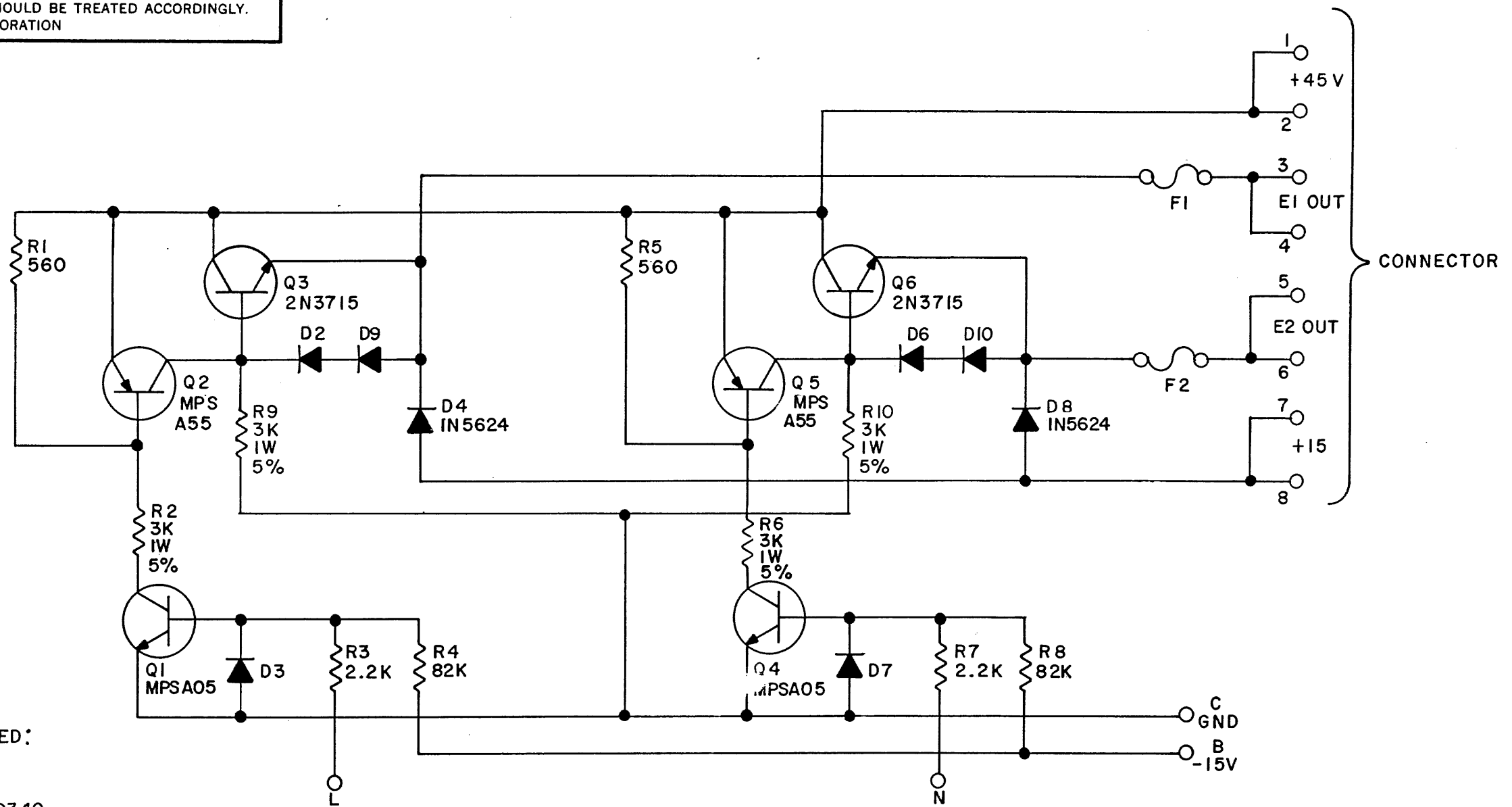
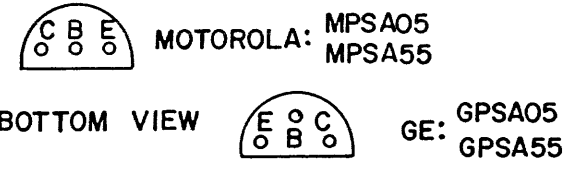


THIS SCHEMATIC IS FURNISHED ONLY FOR TEST AND MAINTENANCE PURPOSES. THE CIRCUITS ARE PROPRIETARY IN NATURE AND SHOULD BE TREATED ACCORDINGLY. COPYRIGHT 1969 BY DIGITAL EQUIPMENT CORPORATION



UNLESS OTHERWISE INDICATED:  
 DIODES ARE D672  
 RESISTORS ARE 1/4W, 10%  
 CONNECTOR IS DEC #1209340  
 CONNECTOR PINS ARE DEC #1209456  
 F1, F2 ARE 5 AMP  
 NOTE: Q1, Q2, Q4, Q5 HAVE VARIED PACKAGES  
 DEPENDING ON SOURCE.  
 SEE DIAGRAM:



REVISIONS	CHK	CHG NO.	REV.
		00002	A
		00003	
		00004	B
		00005	C
		00006	D

DRN. *G. Blum* DATE 9-9-69  
 CHK'D *L. J. ...* DATE 9/18/69  
 ENG. *C. ...* DATE 2-17-70  
 PROD. DATE

TRANSISTOR & DIODE CONVERSION CHART	
DEC	EIA
D672	IN3653
MPSA05	
2N3715	NONE
MPSA55	
IN5624	SAME

**digital**  
 EQUIPMENT CORPORATION  
 MAYNARD, MASSACHUSETTS

TITLE DUAL MOTOR VOLTAGE CONTROL G847			
SIZE	CODE	NUMBER	REV.
B	CS	G847-0-1	D
PRINTED CIRCUIT REV.			E