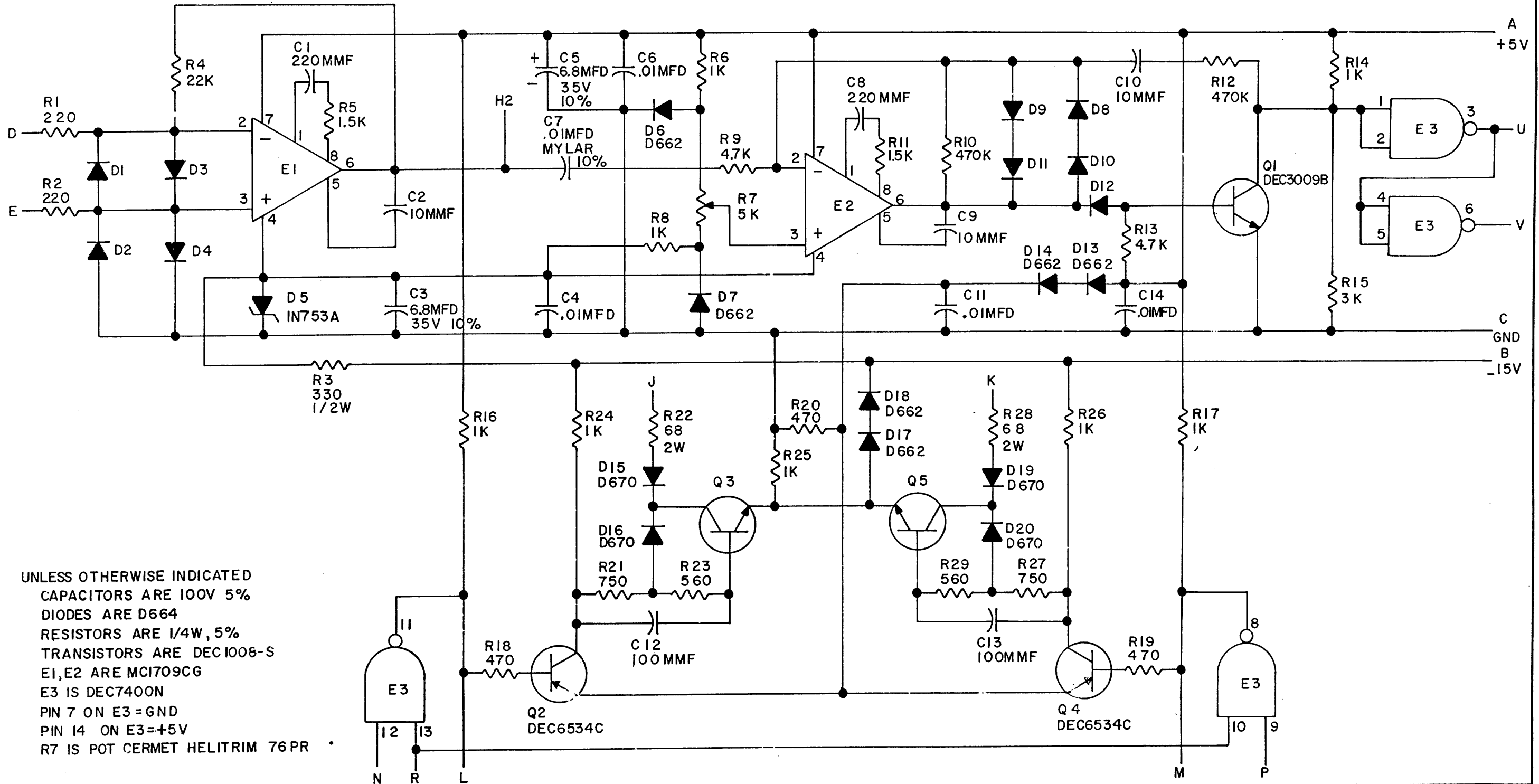


THIS SCHEMATIC IS FURNISHED ONLY FOR TEST AND MAINTENANCE PURPOSES. THE CIRCUITS ARE PROPRIETARY IN NATURE AND SHOULD BE TREATED ACCORDINGLY. COPYRIGHT 1969 BY DIGITAL EQUIPMENT CORPORATION



UNLESS OTHERWISE INDICATED
 CAPACITORS ARE 100V 5%
 DIODES ARE D664
 RESISTORS ARE 1/4W, 5%
 TRANSISTORS ARE DEC1008-S
 E1, E2 ARE MC1709CG
 E3 IS DEC7400N
 PIN 7 ON E3 = GND
 PIN 14 ON E3 = +5V
 R7 IS POT CERMET HELITRIM 76 PR

REVISIONS		DRN.	DATE	TRANSISTOR & DIODE CONVERSION CHART		digital	TITLE		
CHK	NO. REV.	<i>A. Clemens</i>	8-29-69	DEC	EIA		MANCHESTER		
		CHK'D	DATE	D664	IN3606	READER/WRITER G888			
		ENG.	DATE	D662	IN645	SIZE	CODE	NUMBER	REV.
		PROD.	DATE	D670	SAME	B	CS	G888-0-1	E
				DEC3009B	2N3009B	EQUIPMENT CORPORATION			
				DEC6534C	MPS6534	MAYNARD, MASSACHUSETTS		PRINTED CIRCUIT REV.	A