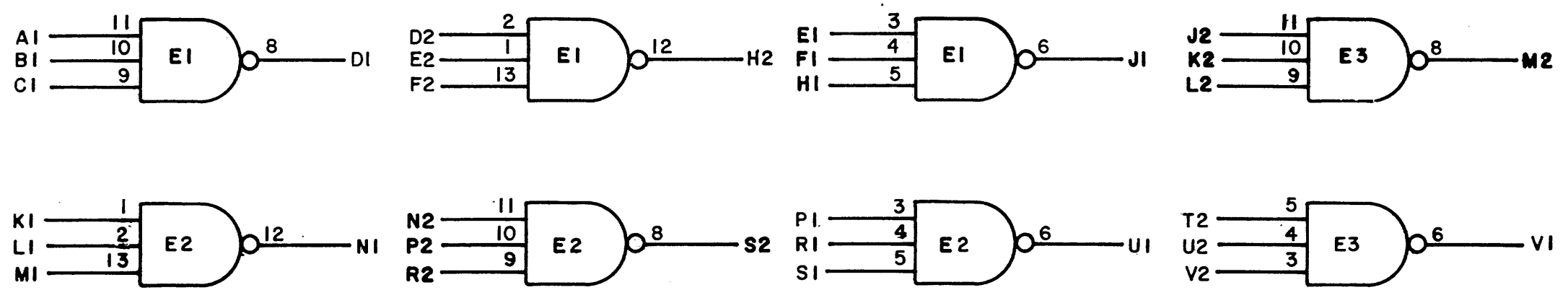
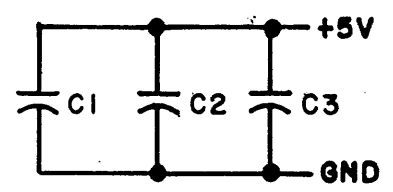


THIS SCHEMATIC IS FURNISHED ONLY FOR TEST AND MAINTENANCE PURPOSES. THE CIRCUITS ARE PROPRIETARY IN NATURE AND SHOULD BE TREATED ACCORDINGLY. COPYRIGHT 1967 BY DIGITAL EQUIPMENT CORPORATION

+5V ——— A2  
NOT USED -15V ——— B2  
GND ——— C2, T1



NOTES:  
PIN 7 ON EACH IC = GND  
PIN 14 ON EACH IC = +5V

|                       |                           |               |
|-----------------------|---------------------------|---------------|
| E1 THRU E3            | INTEGRATED CKT. DEC7410N  | 1905576       |
| C1 THRU C3            | CAP. .01MFD 100V 20% DISC | 1001610       |
|                       | PARTS LIST                | A-PL-M115-0-0 |
| REFERENCE DESIGNATION | DESCRIPTION               | PART NO.      |
| PARTS LIST            |                           |               |

|  |                          |              |                                     |     |     |     |   |                        |  |         |                 |        |
|--|--------------------------|--------------|-------------------------------------|-----|-----|-----|---|------------------------|--|---------|-----------------|--------|
| REVISIONS<br>CHG NO. REV.<br>6423 A<br>6800 B<br>00001 C | DRN. <i>m. Waller</i>    | DATE 4-20-67 | TRANSISTOR & DIODE CONVERSION CHART |     |     |     | TITLE<br><b>8-3 INPUT NAND GATES M115</b><br>digital<br>EQUIPMENT CORPORATION<br>MAYNARD, MASSACHUSETTS | SIZE B                 |  | CODE CS | NUMBER M115-0-1 | REV. C |
|  | CHK'D <i>[Signature]</i> | DATE 4-21-67 | DEC                                 | EIA | DEC | EIA |   | PRINTED CIRCUIT REV. D |  |         |                 |        |
|  | ENG. <i>L. White</i>     | DATE 4/21/67 |                                     |     |     |     |   |                        |  |         |                 |        |
|  | PROD.                    | DATE         |                                     |     |     |     |   |                        |  |         |                 |        |
|  |                          |              |                                     |     |     |     |   |                        |  |         |                 |        |

↑ PINK

DIST. 324/4/4/35