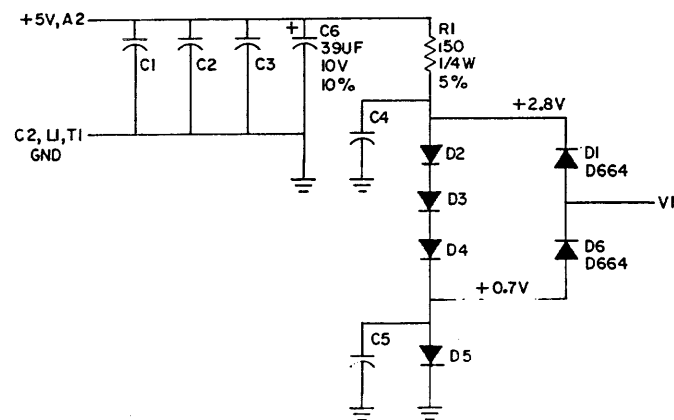
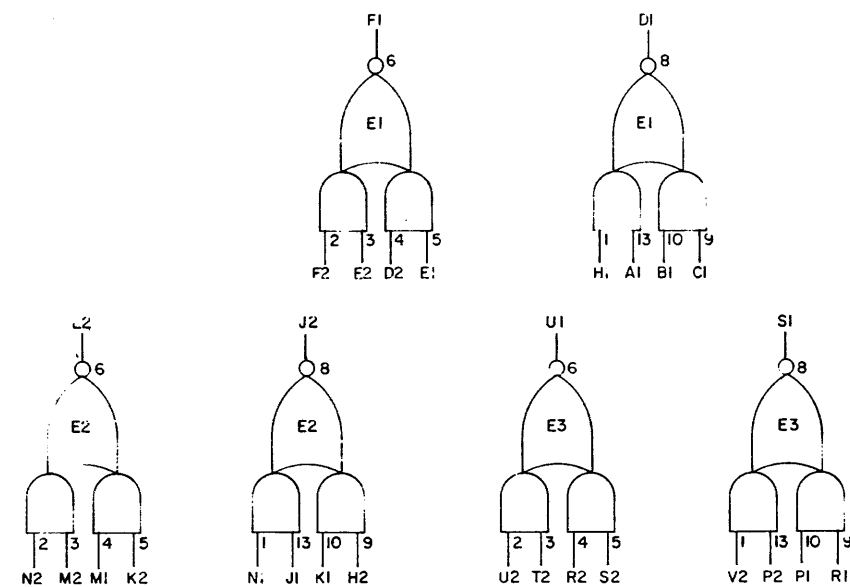
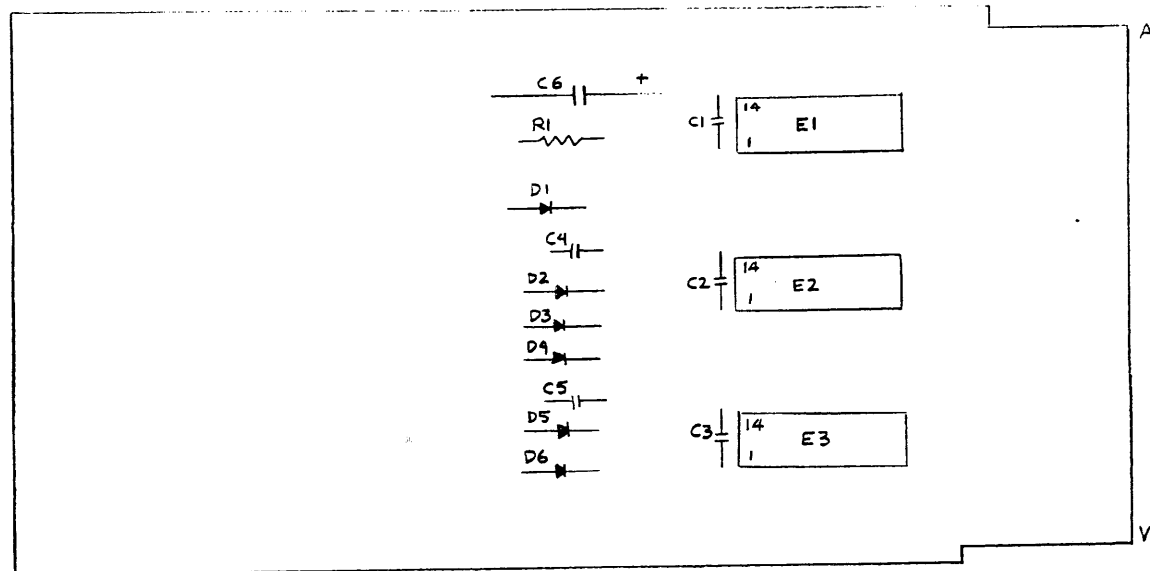


THIS SCHEMATIC IS FURNISHED ONLY FOR TEST AND MAINTENANCE PURPOSES. THE CIRCUITS ARE PROPRIETARY IN NATURE AND SHOULD BE TREATED ACCORDINGLY. COPYRIGHT 1970 BY DIGITAL EQUIPMENT CORPORATION.



UNLESS OTHERWISE INDICATED:
 CAPACITORS = .01UF, 100V, 20%
 DIODES = D662
 IC'S = DEC1074H50
 PIN 7 = GND ON ALL IC'S
 PIN 14 = +5V

ITEM NO.	DEC PART NO.	DESCRIPTION	QTY
12	9008337-06	HANDLE, FLIP CHIP - MAGENTA	1
11	9006732	EYELET #GS 4-7	2
10	190812	I.C. DEC 1074H50	3
9	1300250	RES. 150, 1/4W, 5%	1
8	1.00114	DIODE D664	2
7	1.00113	DIODE D662	4
6	1001610	CAP. .01UF, 100V, 20% DISC	5
5	1000076	CAP. 39UF, 10V, 10% S. TANT	1
4	5009295	ETCHED CIRCUIT BOARD	1
3	B-MH-M126-0-6	MODULE ECO HISTORY	
2	C-AH-M126-0-5	ASSY/DRILING HOLE LAYOUT	
1	K-CO-M126-0-4	A-Y COORDINATE HOLE LOCATION	
PARTS LIST			

REVISIONS CHK'D DATE ENGR DATE PROD DATE	DRN NANCY MOORE DATE 12/8/70	TRANSISTOR & DIODE CONVERSION CHART				digital EQUIPMENT CORPORATION MAYNARD, MASSACHUSETTS	TITLE SIX 2-2 AND-NOR GATES MI26			SIZE C CS	NUMBER MI26-0-1	REV B
	CHK'D C. Moore DATE 12/10/70	DEC D662	EIA IN645	DEC D664	EIA IN3608		PRINTED CIRCUIT REV B					
	ENGR DATE 12/11/70											
	PROD DATE											

REV B
 NUMBER MI26-0-1
 SIZE CODE C CS