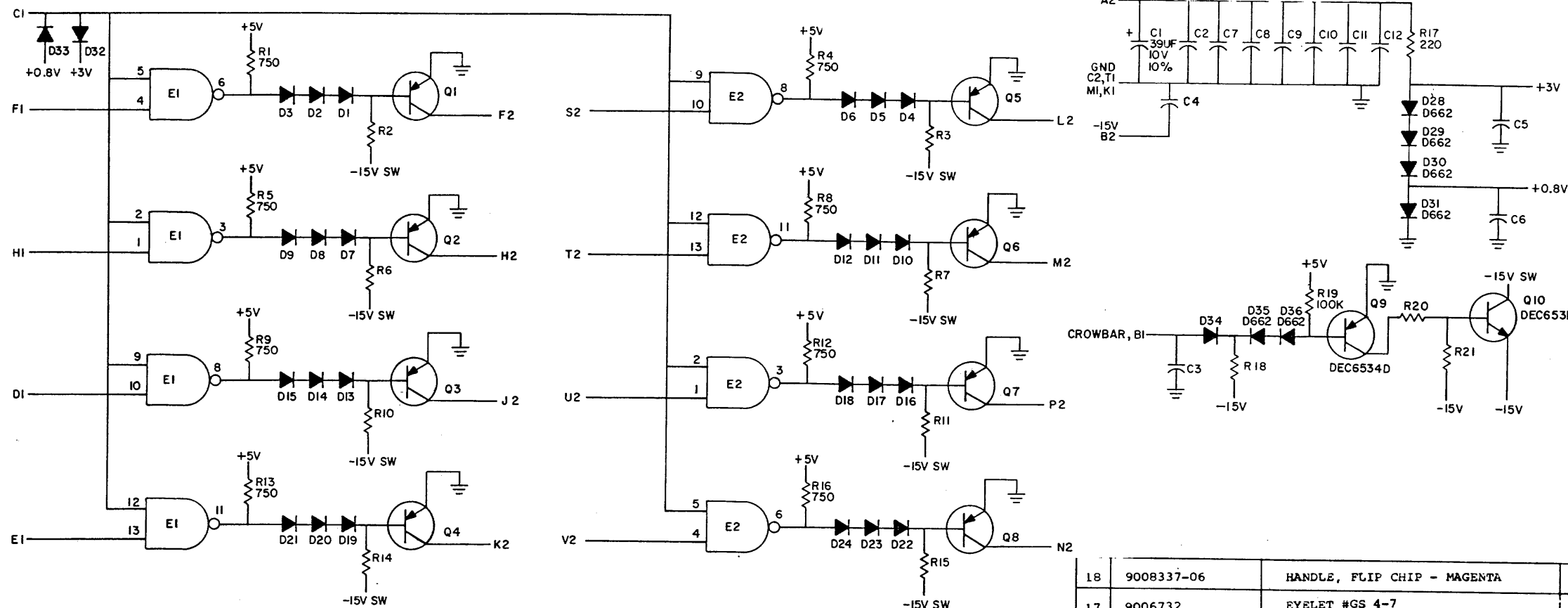
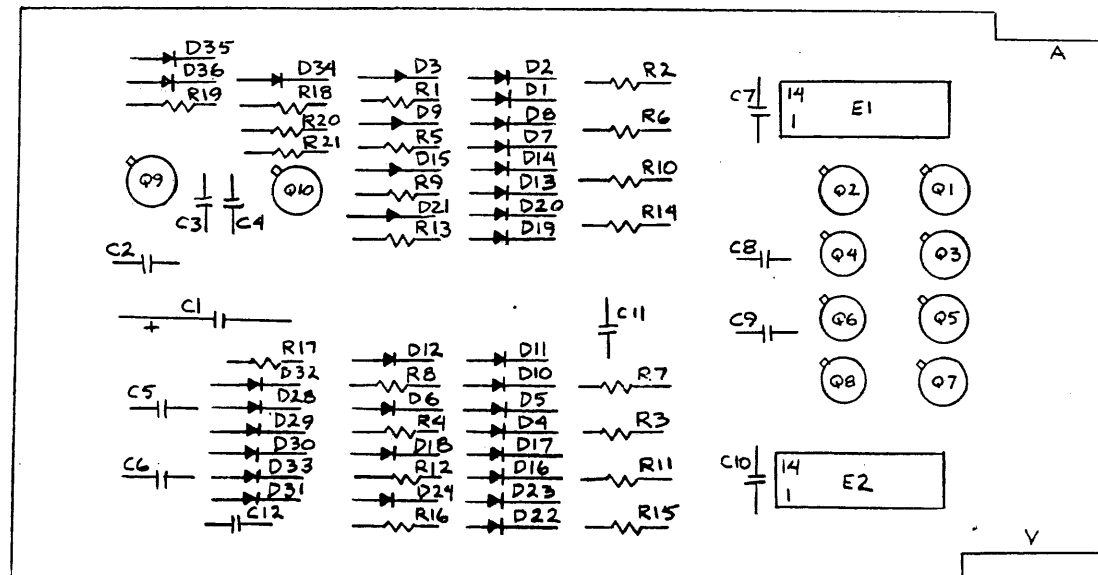


THIS SCHEMATIC IS FURNISHED ONLY FOR TEST AND MAINTENANCE PURPOSES. THE CIRCUITS ARE PROPRIETARY IN NATURE AND SHOULD BE TREATED ACCORDINGLY. COPYRIGHT 1971 BY DIGITAL EQUIPMENT CORPORATION



UNLESS OTHERWISE INDICATED:
 RESISTORS ARE 7.5K, 1/4W, 5%
 DIODES ARE D664
 CAPACITORS ARE .01UF, 100V, 20%
 TRANSISTORS ARE DEC4258
 IC'S ARE DEC1074H00

PIN 7 = GND ON ALL IC'S
 PIN 14 = +5V



| QTY | DESCRIPTION | PART NO. | REV. |
|------------|------------------------------|---------------|------|
| 1 | HANDLE, FLIP CHIP - MAGENTA | 9008337-06 | 1 |
| 2 | EYELET #GS 4-7 | 9006732 | 2 |
| 2 | I.C. DEC1074H00 | 1910462 | 2 |
| 1 | TRANSISTOR DEC 6531 | 1509338 | 1 |
| 8 | TRANSISTOR DEC 4258 | 1505321 | 8 |
| 1 | TRANSISTOR DEC 6534D | 1503409-00 | 1 |
| 1 | RES. 100K, 1/4W, 5% | 1302466 | 1 |
| 11 | RES. 7.5K, 1/4W, 5% | 1301422 | 11 |
| 8 | RES. 750, 1/4W, 5% | 1301401 | 8 |
| 1 | RES. 220, 1/4W, 5% | 1300271 | 1 |
| 27 | DIODE D664 | 1100114 | 27 |
| 6 | DIODE D662 | 1100113 | 6 |
| 11 | CAP. .01UF, 100V, 20% DISC | 1001610 | 11 |
| 1 | CAP. 39UF, 10V, 10% S. TANT | 1000076 | 1 |
| 1 | ETCHED CIRCUIT BOARD | 5009381 | 1 |
| | MODULE ECO HISTORY | B-MH-M664-0-6 | |
| | ASS/DRILLING HOLE LAYOUT | C-AH-M664-0-5 | |
| | X-Y COORDINATE HOLE LOCATION | K-CL-M664-0-4 | |
| | DESCRIPTION | DEC PART NO. | QTY |
| PARTS LIST | | | |

REVISIONS
 CHK'G NO. REV.
 1/1 00001 A

DEC FORM NO. 102

DRN. 3. Carter
 DATE 1/16/71
 CHK'D M M
 DATE 2-3-71
 ENG P. Sullivan
 DATE 3-3-71
 PROD. DATE

| TRANSISTOR & DIODE CONVERSION CHART | | | |
|-------------------------------------|---------|-----|-----|
| DEC | EIA | DEC | EIA |
| D662 | 1N645 | | |
| D664 | 1N3606 | | |
| DEC4258 | 2N4258 | | |
| DEC6534 | MP36534 | | |
| DEC6531 | MPS6531 | | |

digital
 EQUIPMENT CORPORATION
 MAYNARD, MASSACHUSETTS

TITLE
 IO BUS DRIVER M664
 SIZE CODE NUMBER REV.
 C CS M664-0-1 A
 PRINTED CIRCUIT REV. B