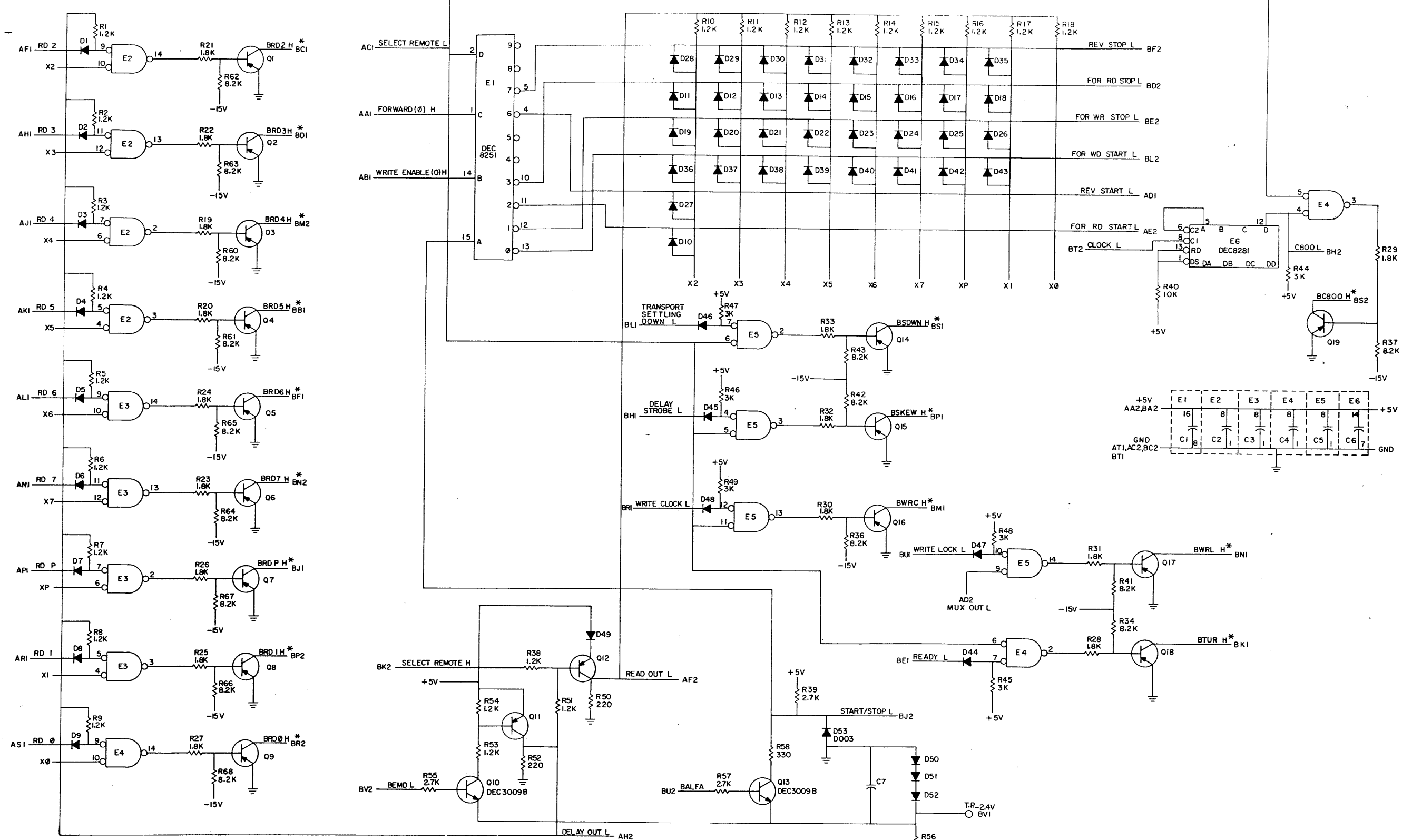


THIS SCHEMATIC IS FURNISHED ONLY FOR TEST AND MAINTENANCE PURPOSES. THE CIRCUITS ARE PROPRIETARY IN NATURE AND SHOULD BE TREATED ACCORDINGLY. COPYRIGHT 19 BY DIGITAL EQUIPMENT CORPORATION



UNLESS OTHERWISE INDICATED:
RESISTORS ARE 1/4W, 5%
TRANSISTORS ARE DEC6534B
DIODES ARE D664
CAPACITORS ARE .01UF, 100V, 20%
IC'S ARE SP 384

NOTE:
* NEGATIVE LOGIC SIGNALS
EG. L = -3V
H = 0V

REV	DATE	BY	CHKD
1	11/21/74	J. COOPER	
2	11/21/74	J. COOPER	
3	11/21/74	J. COOPER	
4	11/21/74	J. COOPER	
5	11/21/74	J. COOPER	

TRANSISTOR & DIODE CONVERSION CHART			
MANUFACTURER	TYPE	DEC	EIA
D664	IN3606	DEC3639B	NONE
D003	1N994	DEC3009B	2N3009B
DEC6534B	PNP 552		

digital		EQUIPMENT CORPORATION	
DATE	REV	DATE	REV
11/21/74	1	11/21/74	1
M768-0-1		M768-0-1	