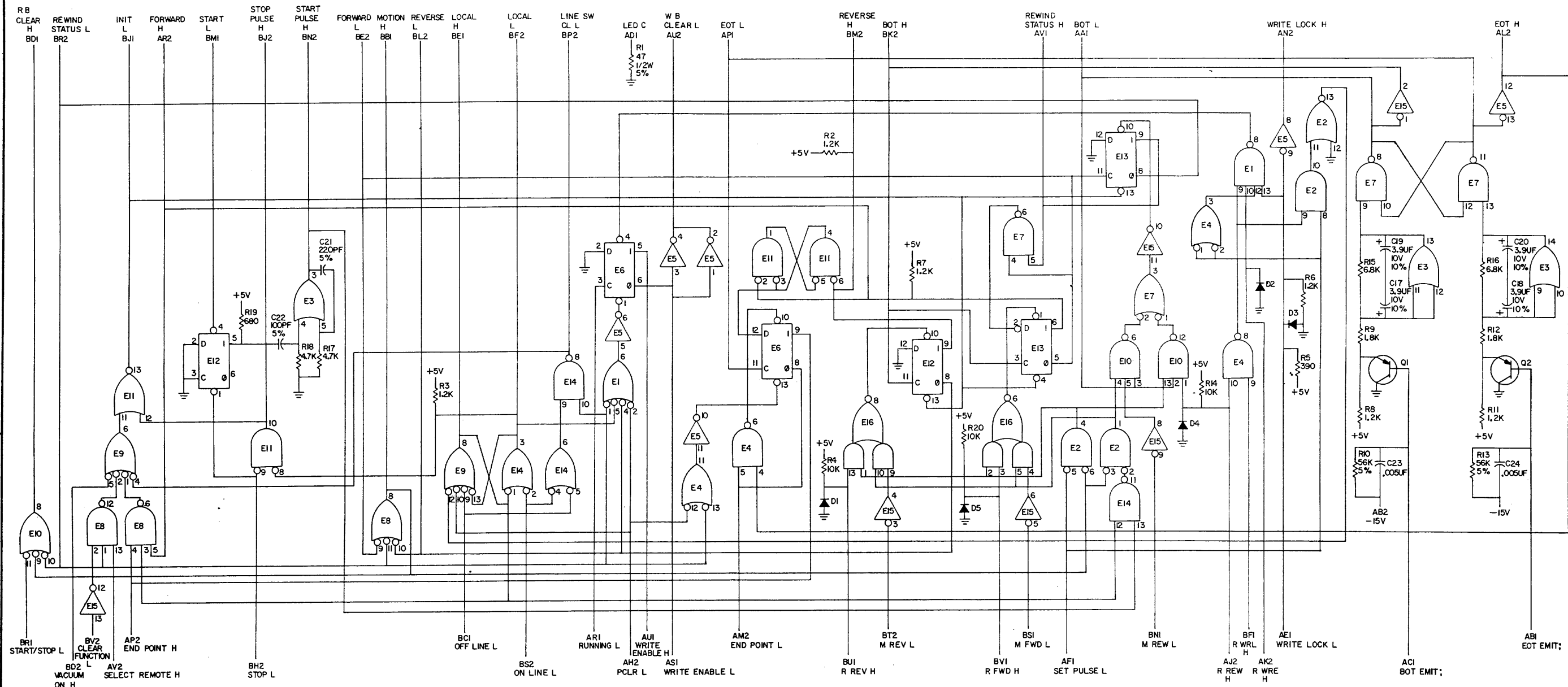
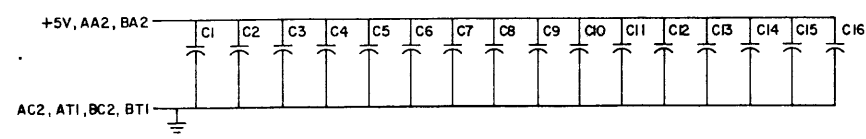


THIS SCHEMATIC IS FURNISHED ONLY FOR TEST AND MAINTENANCE PURPOSES. THE CIRCUITS ARE PROPRIETARY IN NATURE AND SHOULD BE TREATED ACCORDINGLY. COPYRIGHT 1971 BY DIGITAL EQUIPMENT CORPORATION.



UNLESS OTHERWISE INDICATED:
 RESISTORS - 1/4W, 10%
 CAPACITORS - .01UF, 100V, 20%
 DIODES - D003
 TRANSISTORS - DEC3639B
 DEC7474 - E6, E12, E13
 DEC7400 - E4, E7, E14
 DEC7410 - E8, E10
 DEC7420 - E1, E9
 DEC7450 - E16
 DEC7402 - E2, E11
 DEC384 - E3
 DEC7404 - E5, E15
 PIN 7 = GND ON ALL IC'S
 PIN 14 = +5V
 PIN 1 = GND ON E3
 PIN 8 = +5V



REV H
 NUMBER M769-0-1
 FILE LOCK D CS

REVISIONS CHG NO REV 1 00001 2 00002 3 00003 4 00004 5 00005 6 00006 7 00007 8 00008 9 00009 10 00010	DATE 1/15/71 DESIGNED BY CHECKED BY DATE 1/15/71 DRAWN BY DATE 1/15/71	TRANSISTOR & DIODE CONVERSION CHART DEC EIA D003 IN934 DEC3639B NONE	digital EQUIPMENT CORPORATION BAYSHIRE, MASSACHUSETTS	TITLE FUNCTION CONTROL M769 PART CODE D CS NUMBER M769-0-1 REV H
	DEC FORM NO. 960 118	PRINTED CIRCUIT REV	3	4