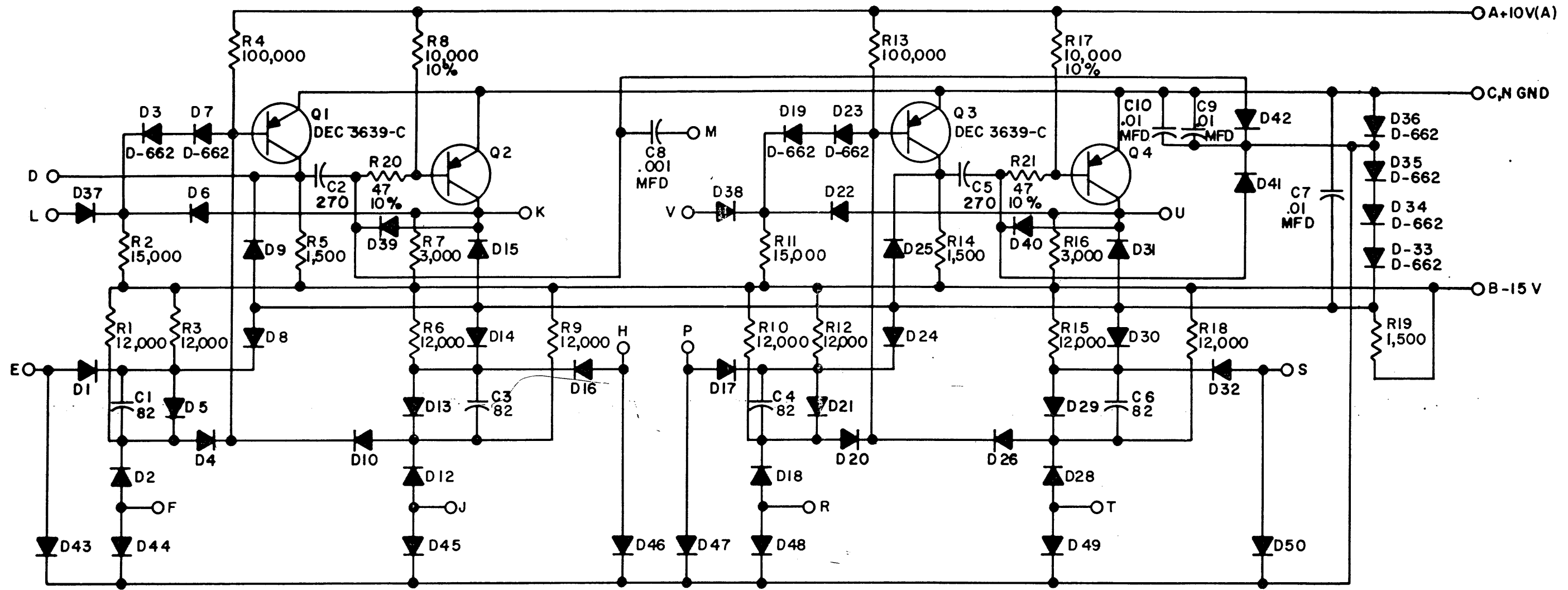


THIS SCHEMATIC IS FURNISHED ONLY FOR TEST AND MAINTENANCE PURPOSES. THE CIRCUITS ARE PROPRIETARY IN NATURE AND SHOULD BE TREATED ACCORDINGLY. COPYRIGHT 1965 BY DIGITAL EQUIPMENT CORPORATION



UNLESS OTHERWISE INDICATED:  
 RESISTORS ARE 1/4W; 5%  
 CAPACITORS ARE MMFD  
 DIODES ARE D-664  
 TRANSISTORS ARE DEC2894-2B

USE THE ETCH BOARD OF THE R602

-----
< A B C D E F G H I J K L M N O P Q R S T U V W X Y Z 10 11 12 >

REVISIONS	CHK	CHG NO.	REV.
	DAW	5275	2
	REV. BY	5372	C
	REV. BY	5386	C
	REV. BY	5924	D
	REV. BY	6684	E
			F
			H

DRN.	I HAHN	DATE	6-14-65
CHK'D	R SILVERMAN	DATE	6-18-65
ENG.	R SOGGE	DATE	6-18-65
PROD.		DATE	

TRANSISTOR & DIODE CONVERSION CHART			
DEC	EIA	DEC	EIA
DEC2894-2B	NONE		
DEC3639-C	2N3639		
D662	IN645		
D664	IN3606		

**digital**  
 EQUIPMENT CORPORATION  
 MAYNARD, MASSACHUSETTS

TITLE			
PULSE AMPLIFIER S602			
SIZE	CODE	NUMBER	REV.
B	CS	S602-0-1	H
PRINTED CIRCUIT REV.			H K