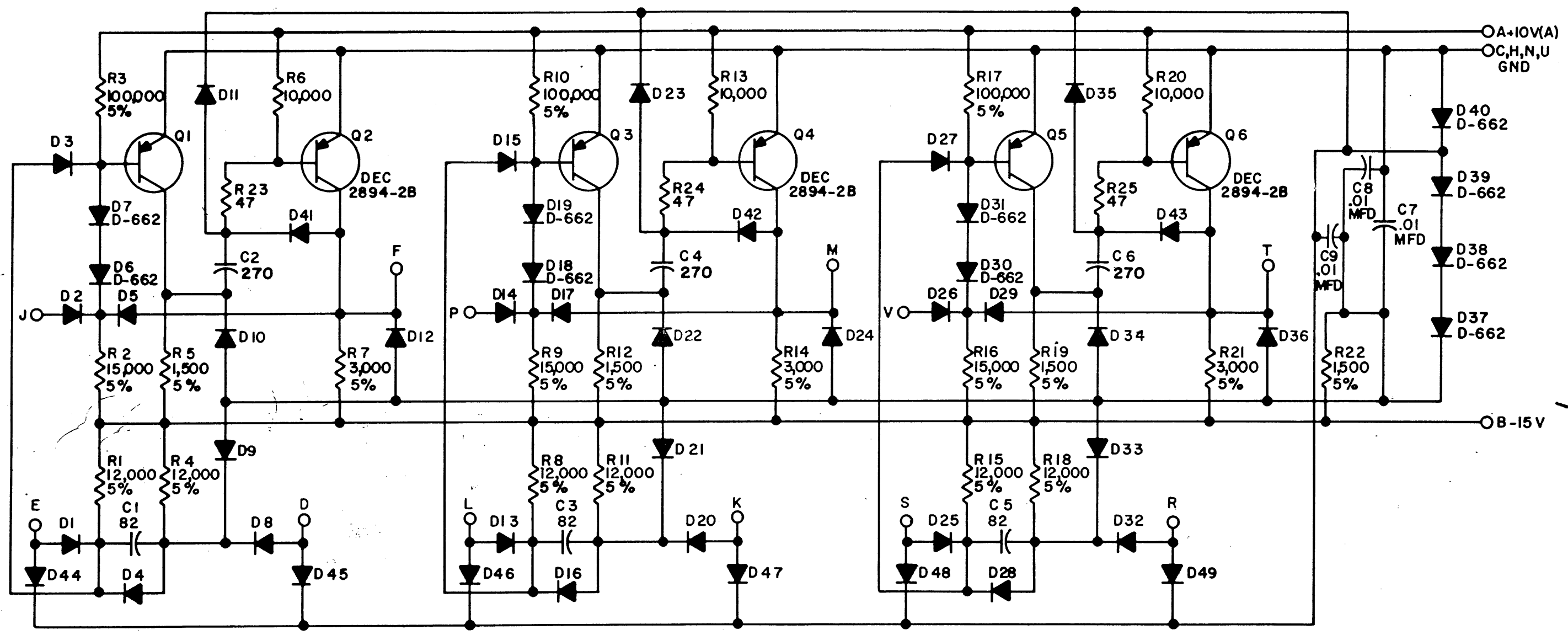


THIS SCHEMATIC IS FURNISHED ONLY FOR TEST AND MAINTENANCE PURPOSES. THE CIRCUITS ARE PROPRIETARY IN NATURE AND SHOULD BE TREATED ACCORDINGLY. COPYRIGHT 1965 BY DIGITAL EQUIPMENT CORPORATION



UNLESS OTHERWISE INDICATED:
 RESISTORS ARE 1/4W; 10%
 CAPACITORS ARE MMFD
 DIODES ARE D-664
 TRANSISTORS ARE DEC 3639-C

USE THE ETCH BOARD OF THE R603



PARTS LIST A-PL-S603-0-0

REVISIONS CHK CHG NO. REV. 2 DAW 5273 REV. & REDR. C REV. 5371 D REV. 5923 E REV. 6859	DRN. I HAHN DATE 6-14-65	TRANSISTOR & DIODE CONVERSION CHART <table border="1" style="width: 100%; text-align: center;"> <thead> <tr> <th>DEC</th> <th>EIA</th> <th>DEC</th> <th>EIA</th> </tr> </thead> <tbody> <tr> <td>DEC 2894-2B</td> <td>NONE</td> <td></td> <td></td> </tr> <tr> <td>DEC 3639C</td> <td>2N3639</td> <td></td> <td></td> </tr> <tr> <td>D662</td> <td>IN645</td> <td></td> <td></td> </tr> <tr> <td>D664</td> <td>IN3606</td> <td></td> <td></td> </tr> </tbody> </table>	DEC	EIA	DEC	EIA	DEC 2894-2B	NONE			DEC 3639C	2N3639			D662	IN645			D664	IN3606			TITLE PULSE AMPLIFIER S603	SIZE B CODE CS NUMBER S603-0-1 REV. E
	DEC		EIA	DEC	EIA																			
	DEC 2894-2B		NONE																					
DEC 3639C	2N3639																							
D662	IN645																							
D664	IN3606																							
CHK'D R SILVERMAN DATE 6-18-65	ENG. R. SOGGE DATE 6-18-65	digital EQUIPMENT CORPORATION MAYNARD, MASSACHUSETTS																						
PROD. DATE	PRINTED CIRCUIT REV. D																							