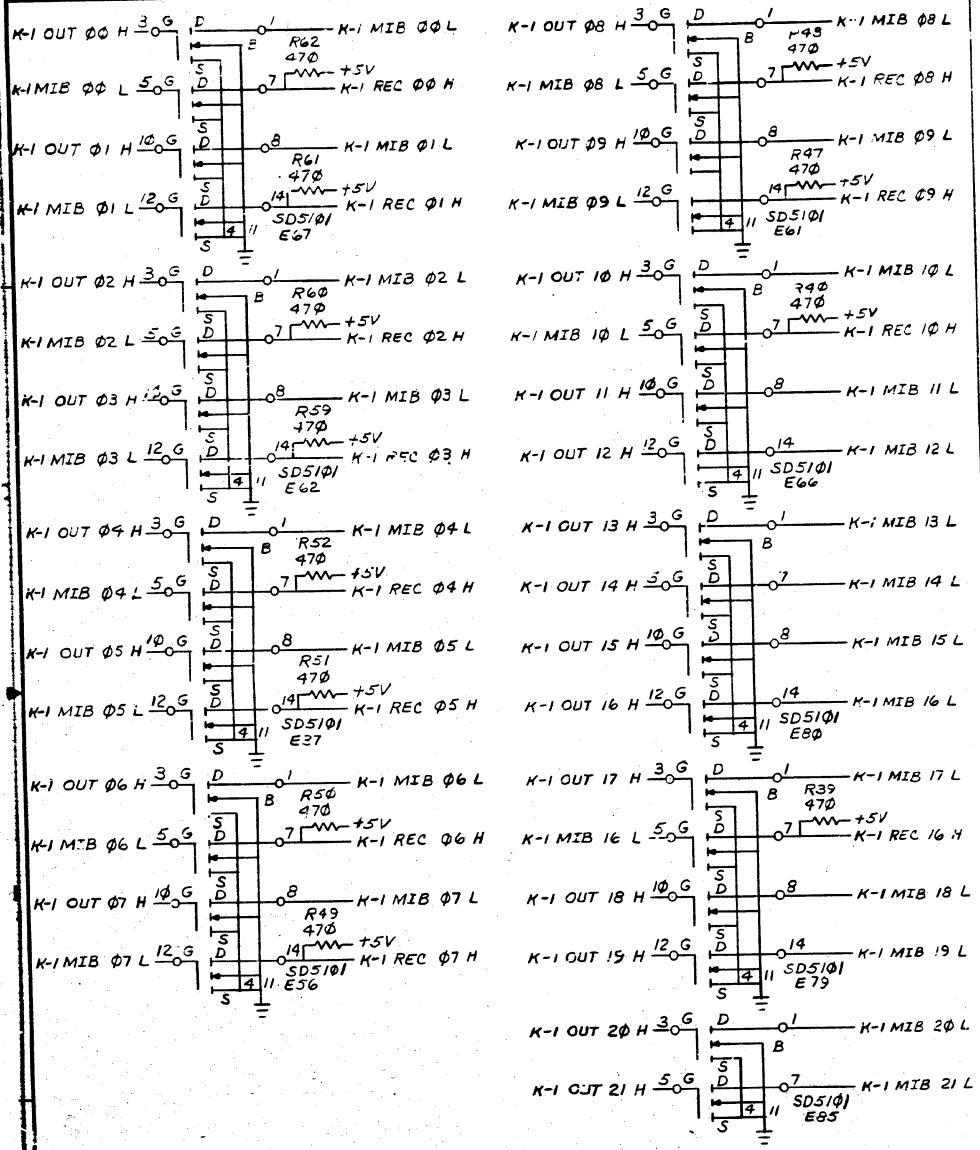
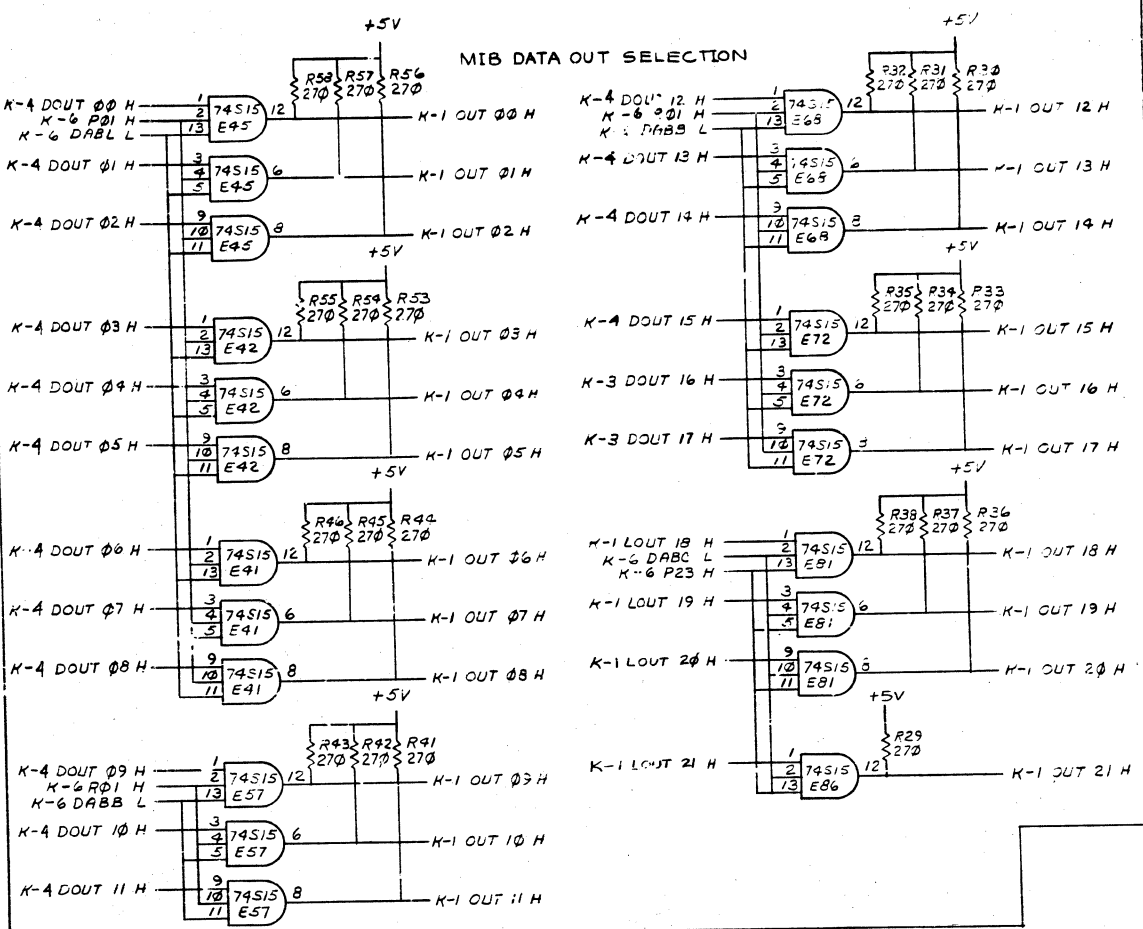


THIS DRAWING AND SPECIFICATIONS HEREIN ARE THE PROPERTY OF DIGITAL EQUIPMENT CORPORATION AND SHALL NOT BE REPRODUCED OR COPIED OR USED IN WHOLE OR IN PART AS THE BASIS FOR THE MANUFACTURE OR SALE OF ITEMS WITHOUT WRITTEN PERMISSION. COPYRIGHT © 1978 DIGITAL EQUIPMENT CORPORATION

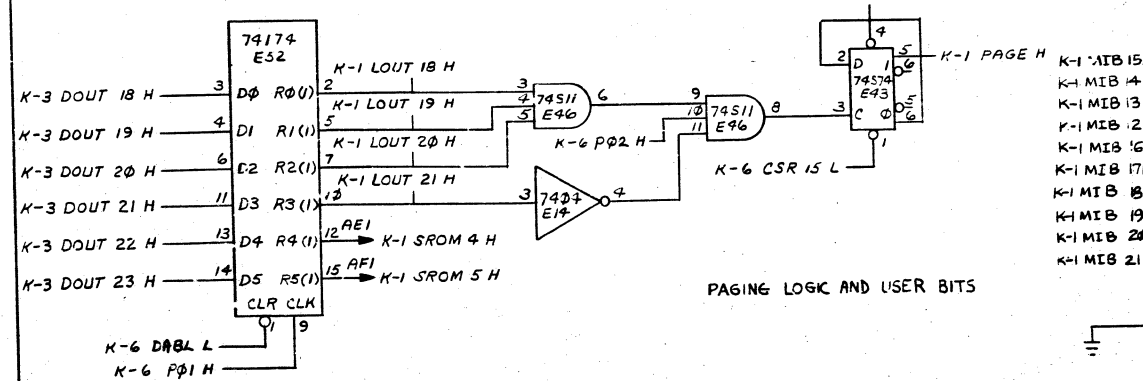
MIB INTERFACE TRANSCEIVERS



MIB DATA OUT SELECTION



PAGING LOGIC AND USER BITS



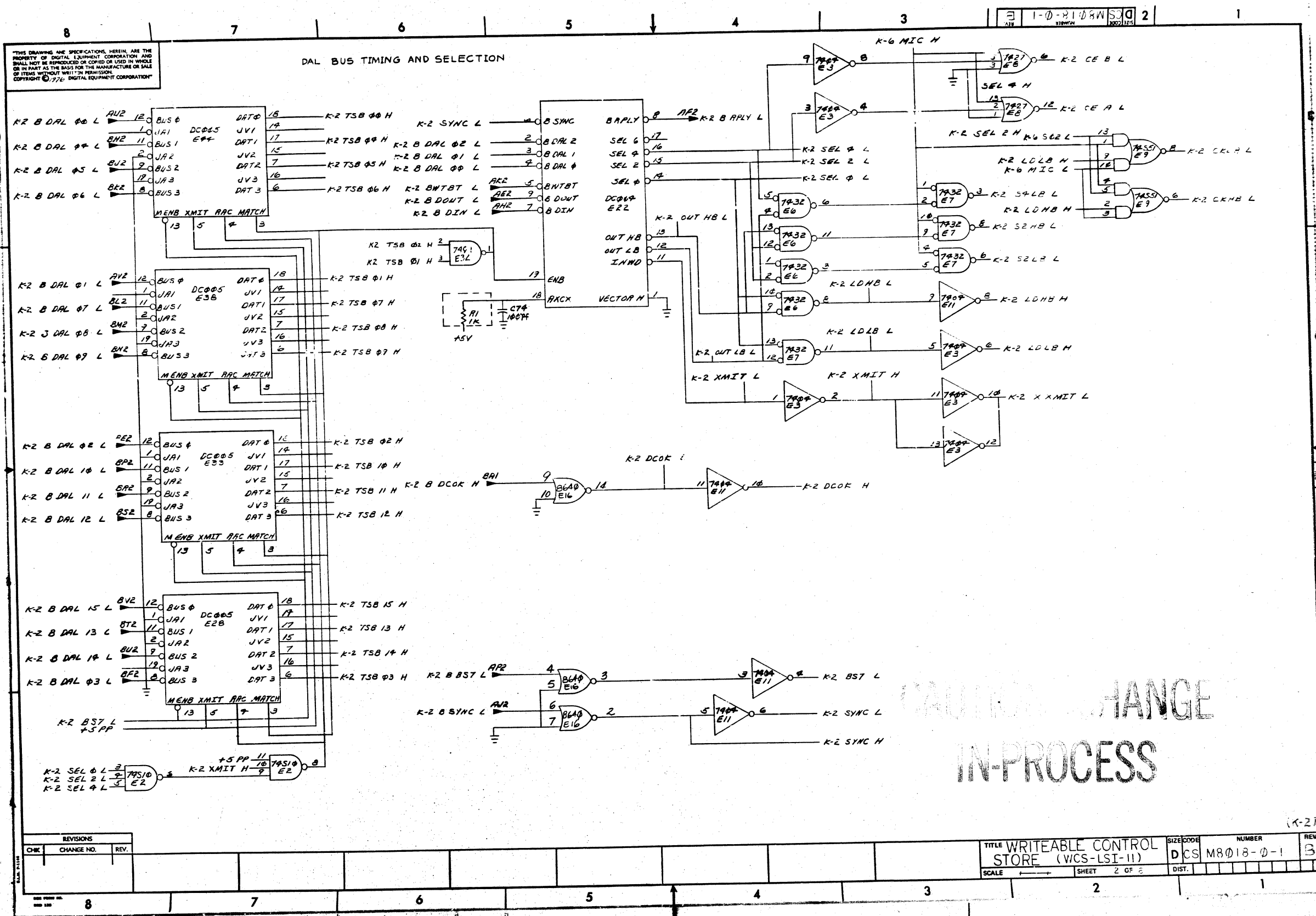
1	44
2	39
3	38
4	37
5	36
6	35
7	34
8	33
9	32
10	31
11	30
12	29
13	28
14	27
15	26
16	25
17	24
18	23
19	22
20	21

(K-1)

CAUTION CHANGE
IN-PROCESS

JUN 5 1978

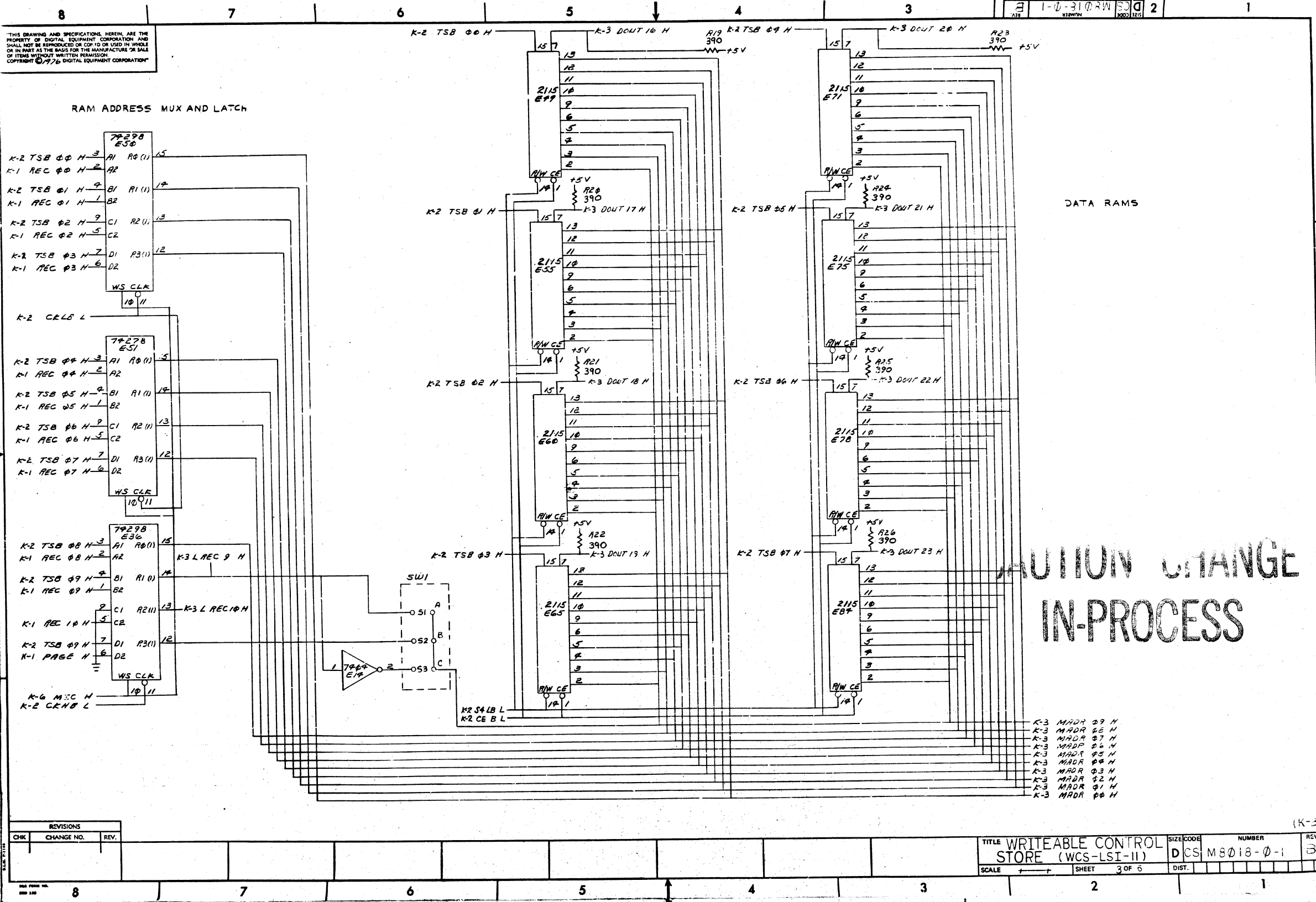
DRN	CHK'D	ENG	PROJ. ENG.	PROD.	NEXT HIGHER ASSY.	SCALE	SHEET	FIRST USED ON	TITLE	SIZE	CODE	NUMBER	REV.
							1 OF 6		WRITEABLE CONTROL STORE (WCS-LSI-II)	D	CS	M8018-0-1	1

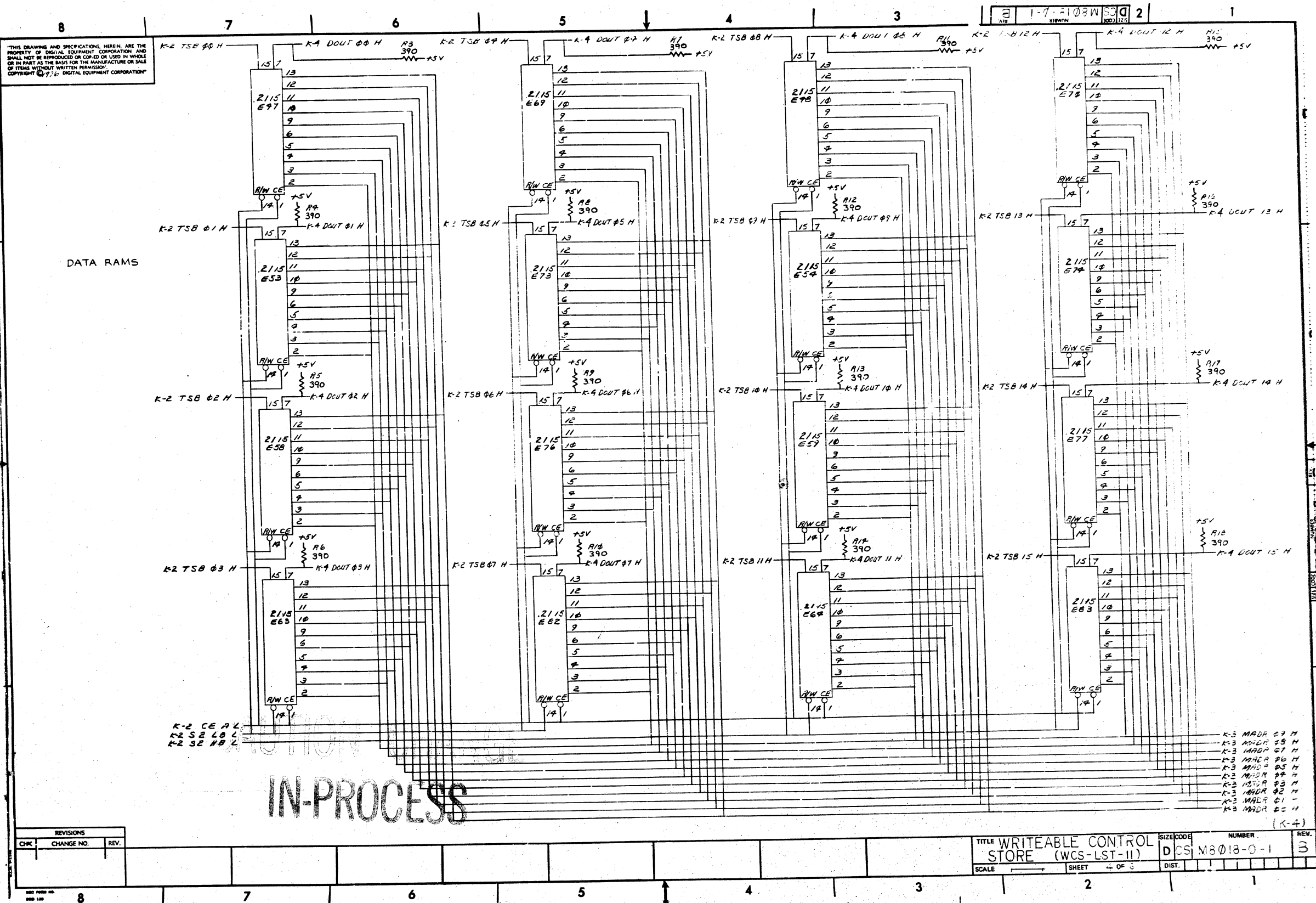


REVISIONS		
CHK	CHANGE NO.	REV.

TITLE	WRITEABLE CONTROL STORE (WCS-LSI-11)	SIZE CODE	DCS	NUMBER	M8018-0-1	REV.	3
SCALE		SHEET	2 OF 2	DIST.			

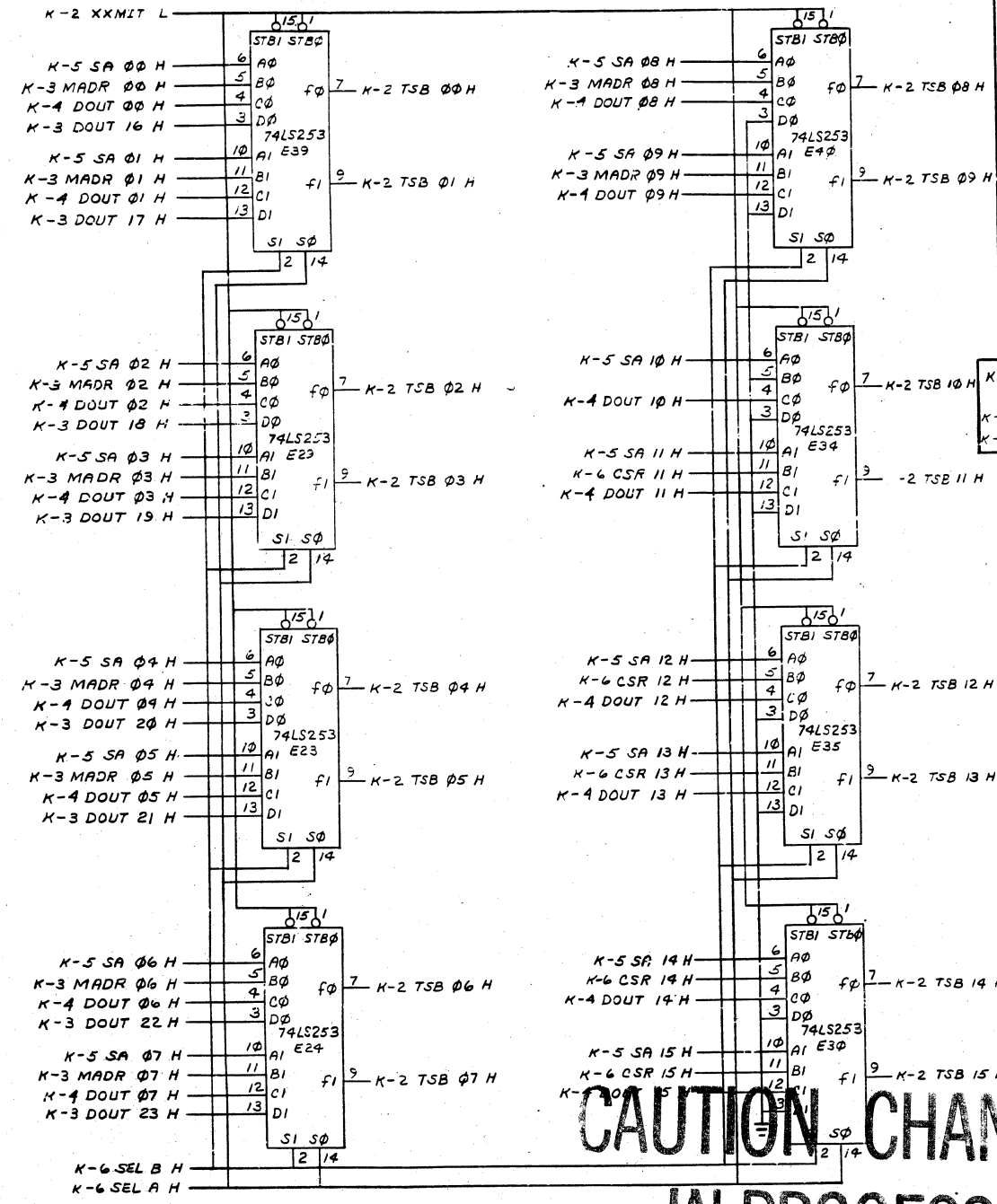
(K-2)



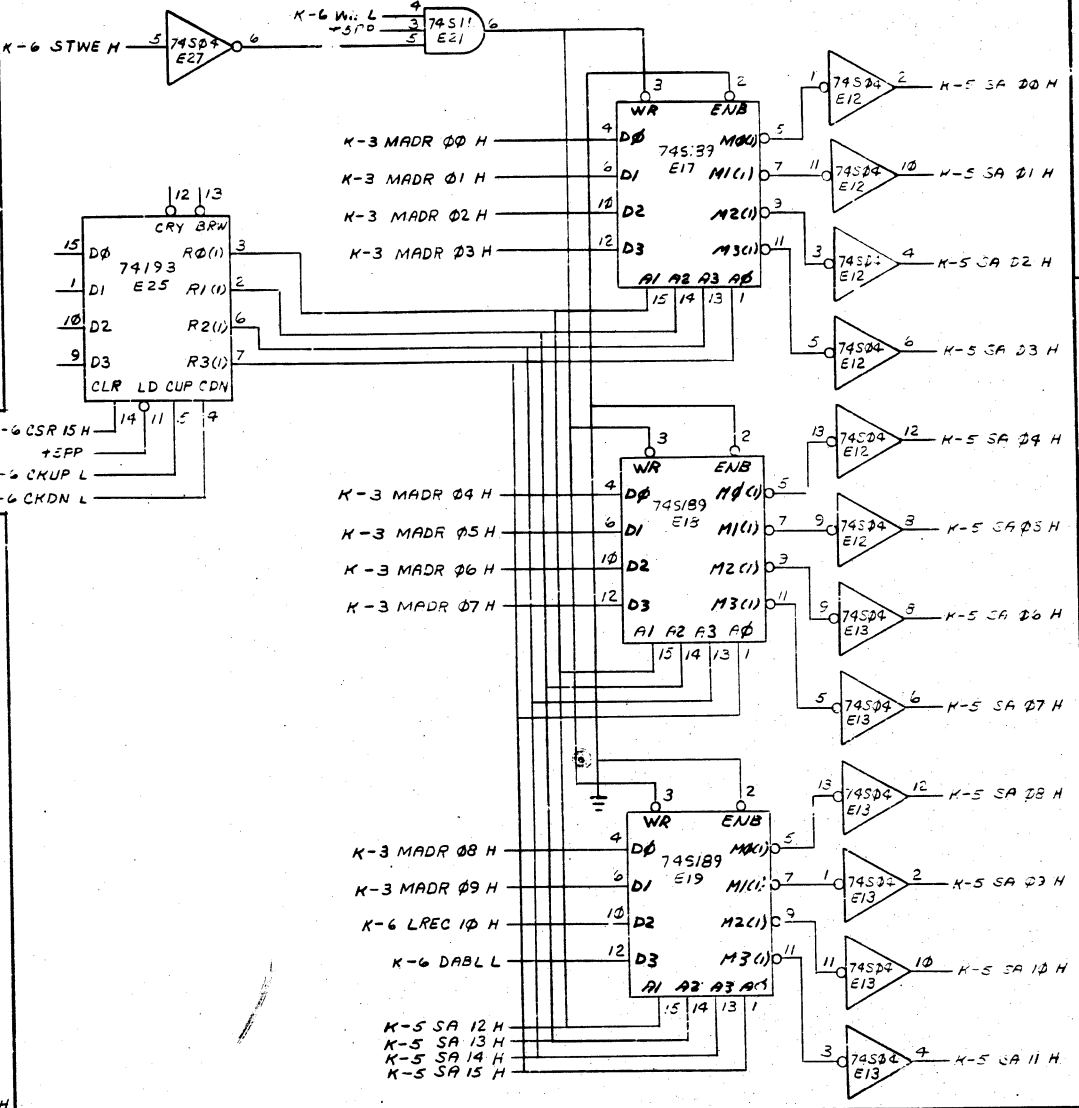


THIS DRAWING AND SPECIFICATIONS, HEREIN, ARE THE PROPERTY OF DIGITAL EQUIPMENT CORPORATION AND SHALL NOT BE REPRODUCED OR COPIED OR USED IN WHOLE OR IN PART AS THE BASIS FOR THE MANUFACTURE OR SALE OF ITEMS WITHOUT WRITTEN PERMISSION. COPYRIGHT © 1976 DIGITAL EQUIPMENT CORPORATION

DAL OUTPUT MUX'S (TO DCΦ5's)



TRACE MODE LOGIC

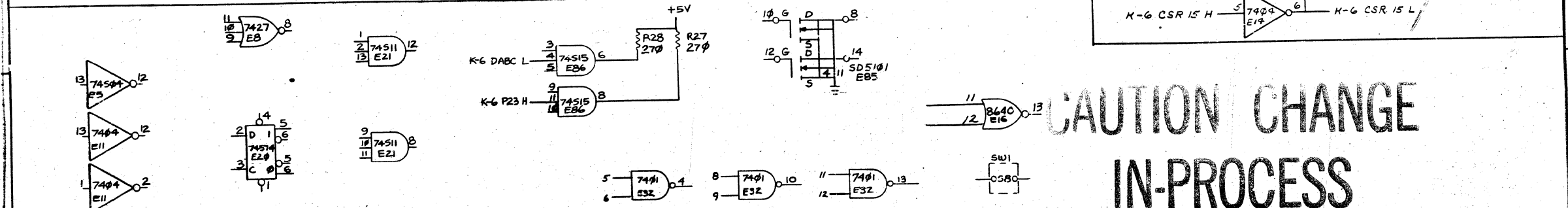
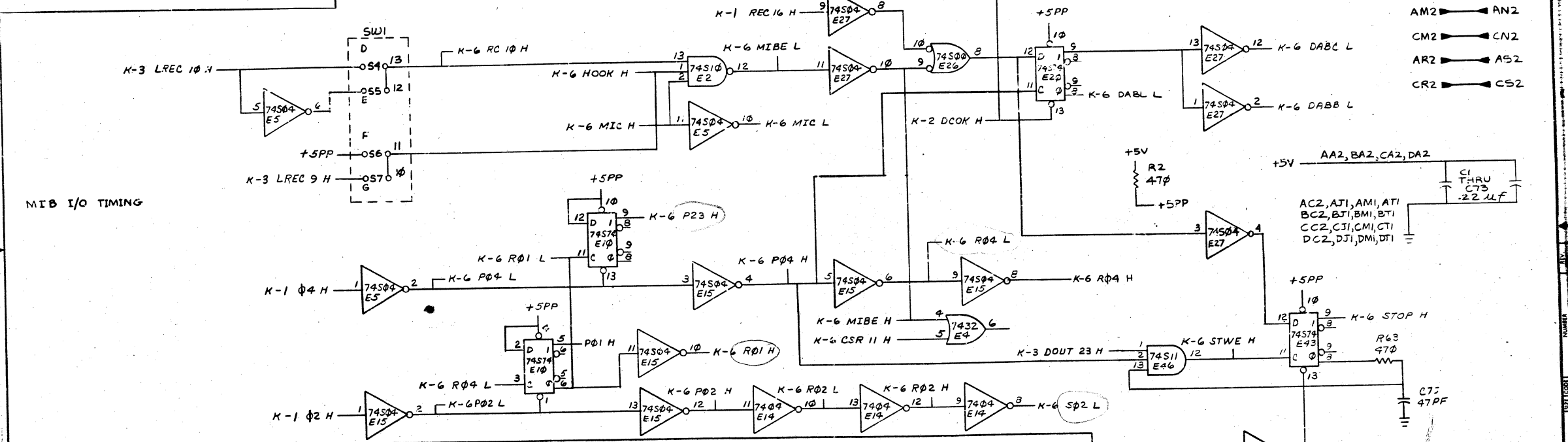
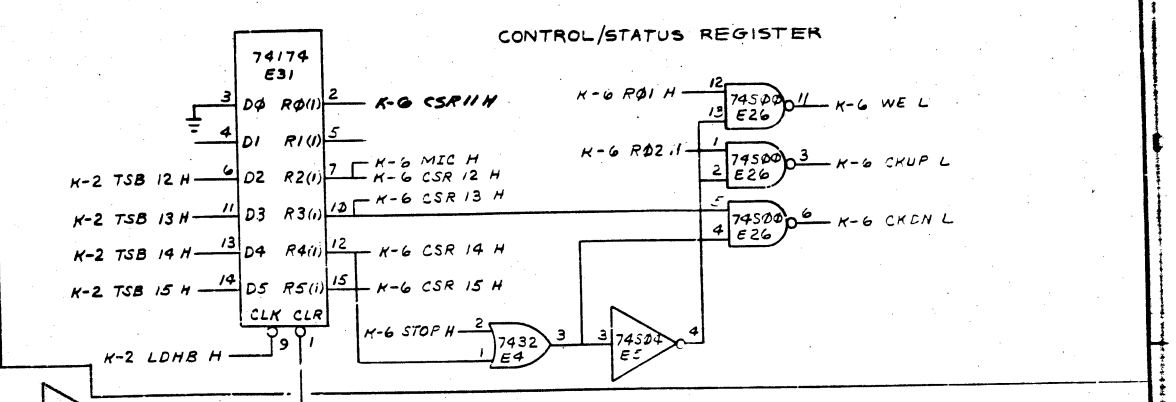
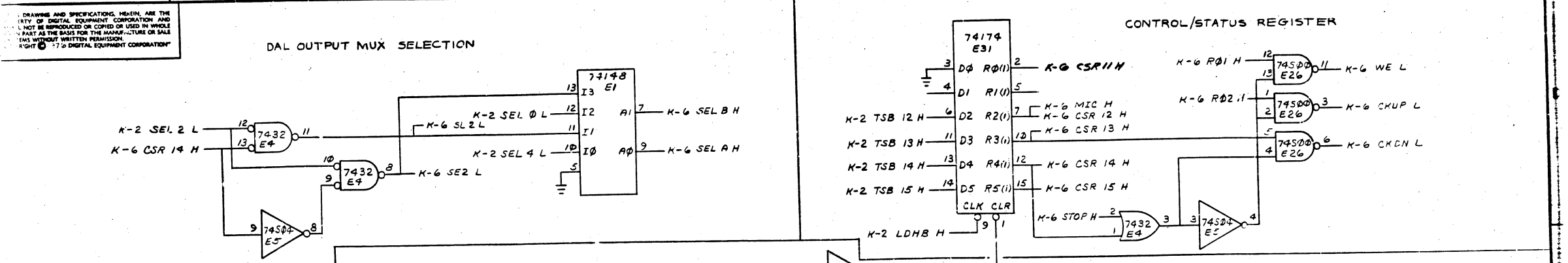


CAUTION CHANGE IN-PROCESS

REVISIONS		
CHK	CHANGE NO.	REV.

TITLE	WRITEABLE CONTROL STORE (WCS-LSI-II)	SIZE CODE	D CS	NUMBER	M8018-0-1	REV.	B
SCALE	1/8"	SHEET	5 OF 6	DIST.			

DRAWING AND SPECIFICATIONS HEREIN ARE THE PROPERTY OF DIGITAL EQUIPMENT CORPORATION AND SHALL NOT BE REPRODUCED OR COPIED OR USED IN WHOLE OR PART AS THE BASIS FOR THE MANUFACTURE OR SALE OF ANY EQUIPMENT WITHOUT WRITTEN PERMISSION FROM DIGITAL EQUIPMENT CORPORATION



CAUTION CHANGE IN-PROCESS

NOTE: THERE ARE THREE SPARE I.C. LOCATIONS

REVISIONS			TITLE		SIZE	CODE	NUMBER	REV.
CHK	CHANGE NO.	REV.	WRITEABLE CONTROL STORE (WCS-LSI-11)		D	CS	M8018-0-1	B
			SCALE	SHEET	OF	DIST.		
					6			