

THIS DRAWING AND SPECIFICATIONS, HEREIN, ARE THE PROPERTY OF DIGITAL EQUIPMENT CORPORATION and shall not be reproduced or copied or used in whole or in part as the basis for the manufacture or sale of items without written permission.

MASTER DRAWING LIST

DWG. NO.	REV. LET.	NO. OF SHEETS	TITLE
A-ML-PDP 12-0	REF.		PDP-12 SYSTEMS
D-MU-EM12-0-1	REF.		MODULE UTILIZATION MEM
D-MU-EM12-0-2	REF.		MODULE UTILIZATION MEM
K-WL-EM12-0-3	REF.		WIRE LIST
A-PL-EM12-0-1	REF.		MODULE UTILIZATION MEM PL.
A-PL-EM12-0-2	REF.		MODULE UTILIZATION MEM PL.
D-FD-TC12-0-10	B	1	TAPE PROCESSOR MJR. ST. FLOW
D-FD-TC12-0-11	D	1	TAPE INST SETUP TIMING
D-FD-TC12-0-12	C	1	SEARCH TIMING
D-FD-TC12-0-13	C	1	BLOCK MODE READING
D-FD-TC12-0-14	C	1	BLOCK MODE WRITE
D-FD-TC12-0-15	C	1	BLOCK MODE CHECKING
D-FD-TC12-0-16	A	1	MARK TIMING
D-BS-TC12-0-LCS	E	1	TAPE CONTROL STATES
D-BS-TC12-0-LCX	B	1	TAPE EXTENDED OPERATIONS
D-BS-TC12-0-LCXF	A	1	TAPE EXTENDED FIELDS
D-BS-TC12-0-LGP	C	1	TAPE GROUP COUNTER
D-BS-TC12-0-LIN		1	TAPE INSTRUCTION
D-BS-TC12-0-LIP	E	1	INTERPROCESSOR SIGNALS
D-BS-TC12-0-LMU	B	1	TAPE UNIT AND MOTION
D-BS-TC12-0-LRE	C	1	TAPE REG ENABLE CONTROL
D-BS-TC12-0-LRL	A	1	TAPE REG LOAD CONTROL
D-BS-TC12-0-LTC	C	1	TRANSPORT CONTROL
D-BS-TC12-0-LTD	H	1	TAPE DELAYS
D-BS-TC12-0-LTM	A	1	TAPE MAINT
D-BS-TC12-0-LTMR	A	1	TAPE MAINT REG
D-BS-TC12-0-LTR	B	1	TAPE READERS-WRITERS
D-BS-TC12-0-LTRA	E	1	LTRA BITS 0 & 1
D-BS-TC12-0-LTRB	D	1	LTRB BITS 2 & 3
D-BS-TC12-0-LTRC	C	1	LTRC BITS 4 & 5
D-BS-TC12-0-LTRD	B	1	LTRD BITS 6 & 7
D-BS-TC12-0-LTRE	B	1	LTR E BITS 8 & 9
D-BS-TC12-0-LTRF	E	1	LTR F BITS 10 & 11

REVISIONS				DRN.	DATE	digital EQUIPMENT CORPORATION MAYNARD, MASSACHUSETTS	TITLE	SIZE	CODE	NUMBER	REV	
REV.	DATE	CHG. NO.	APP'D.	J. APREA	3/7/69							
A	3/69	EM12-01	L.G.				LINC TAPE CONTROL		A	ML	TC12-0	V
B	5/69	EM12-02	E.G.	R. HUTNAK	3/7/69							
C	6/69	EM12-03	L.G.	L. Gale	3/10/69							
D	6/69	EM12-04	L.G.	PROJ. ENG. L. Gale	3/10/69							
E	6/69	EM12-05	L.G.	PROJ. ENG. L. Gale	3/10/69							
F	7/69	EM12-07	L.G.	PROJ. L. Gale	3/10/69							
H	8/69	EM12-09	L.G.	PROD. W. Call	3/10/69							
J	8/69	EM12-10	L.G.	FIRST USED ON								
K	8/69	EM12-11	L.G.									
L	9/69	EM12-15	L.G.									
M	10/69	EM12-17	L.G.	PDP-12								
N	12/69	EM12-19	L.G.	SCALE								
P	1/70	EM12-22	L.G.									
R	2/70	EM12-30	L.G.									
S	2/70	EM12-32	L.G.									

DEC FORM NO. DRA 103

This drawing and specifications, herein, are the property of Digital Equipment Corporation and shall not be reproduced or copied or used in whole or in part as the basis for the manufacture or sale of items without written permission.

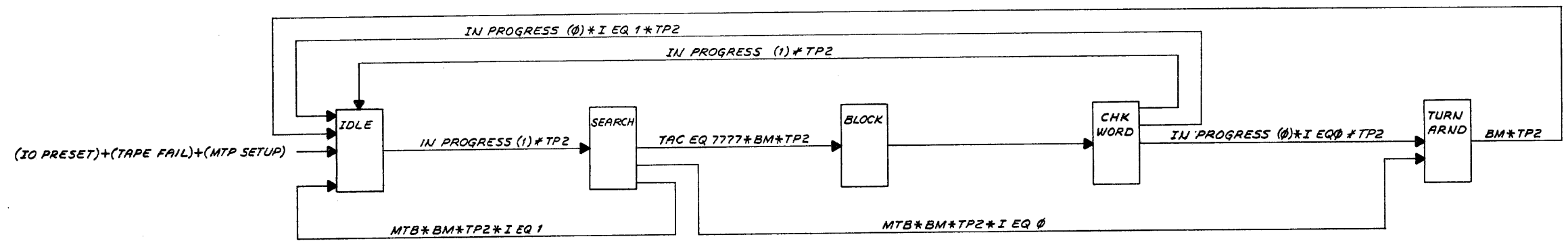
MASTER DRAWING LIST

DWG. NO.	REV. LET.	NO. OF SHEETS	TITLE
D-BS-TC12-0-LTS	D	1	TAPE STATES
D-BS-TC12-0-LTT	C	1	TAPE TIME PULSES
D-BS-TC12-0-LWN	D	1	TAPE MARK WINDOW

REVISIONS				DRN.	DATE	digital EQUIPMENT CORPORATION MAYNARD, MASSACHUSETTS	TITLE	SIZE	CODE	NUMBER	REV	
REV.	DATE	CHG. NO.	APP'D.	J. APREA	3/10/69							
T	7/70	EM12-37	L.G.				LINC TAPE CONTROL		A	ML	TC12-0	V
U	8/70	EM12-38	L.G.									

DEC FORM NO. DRA 103

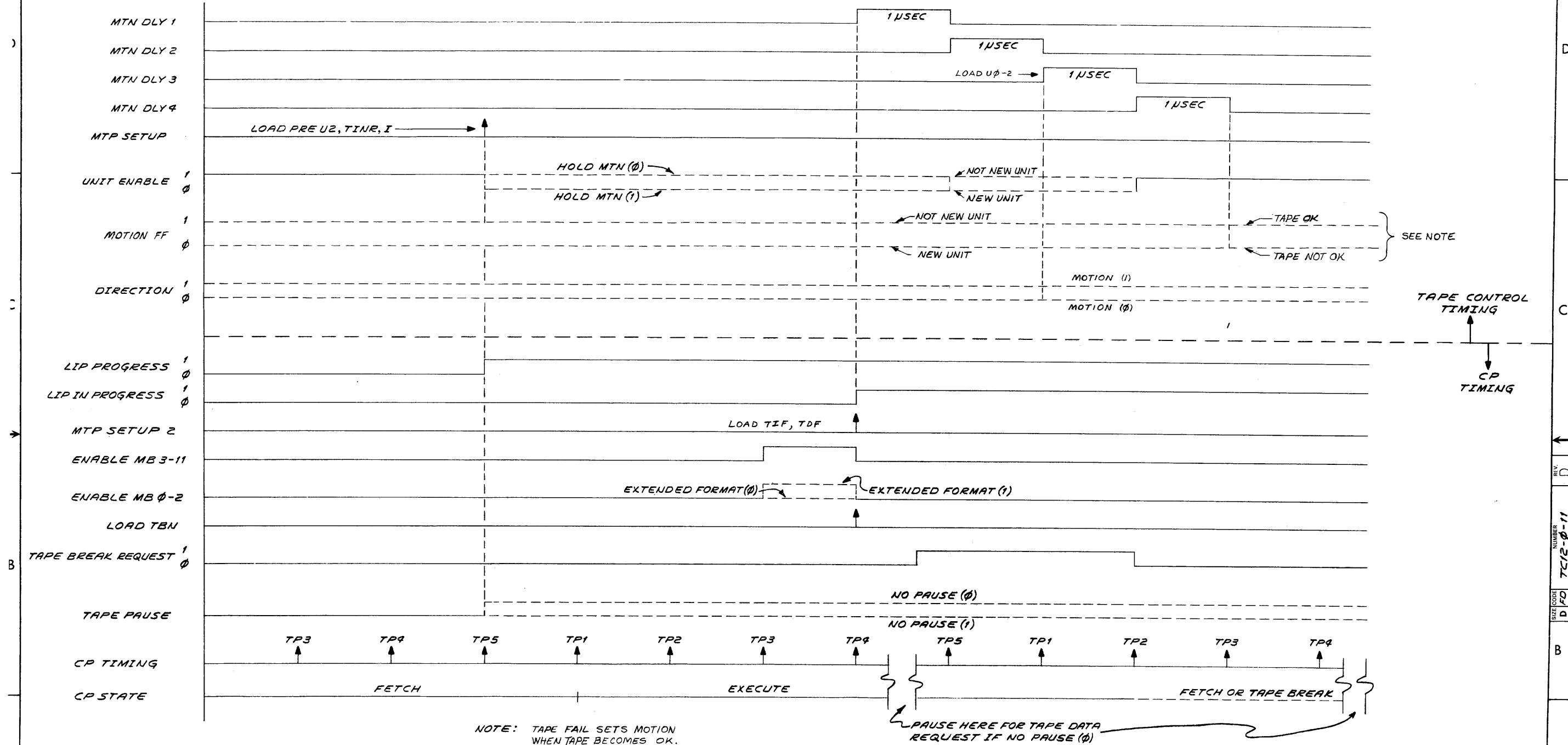
This drawing and specifications, herein, are the property of Digital Equipment Corporation and shall not be reproduced or copied or used in whole or in part as the basis for the manufacture or sale of items without written permission.



CHK	CHANGE NO.	REV.
EM2	0002	A
T. Quillin		
L. GALE		
EM2		
EM12 - 00015		
L. GALE		
10/13/69		

QTY.	DESCRIPTION	PART NO.	ITEM NO.
PARTS LIST			
UNLESS OTHERWISE SPECIFIED	DRN. <i>See Above</i>	DATE 6 SEPT 68	digital EQUIPMENT CORPORATION MAYNARD, MASSACHUSETTS
UNLESS OTHERWISE SPECIFIED	CHKD. <i>A. Leander</i>	DATE 2/27/69	
DIMENSION IN INCHES	ENG. <i>A. Leander</i>	DATE 2-28-69	TITLE TAPE PROCESSOR MJR. ST. FLOW
TOLERANCES	PROJ. ENG. <i>A. Leander</i>	DATE 2-18-69	
DECIMALS FRACTIONS ANGLES	PROD. <i>A. Leander</i>	DATE 2/28/69	
± .005 ± 1/64 ± 0°30'			
FINAL SURFACE QUALITY			
REMOVE BURRS AND BREAK SHARP CORNERS			
MATERIAL	FIRST USED ON		
	TC12		
FINISH	SCALE	SIZE CODE	NUMBER
		DFD	TC12-0-10
	SHEET 1 OF 1	DIST.	REV. B

The drawing and specifications herein are the property of Digital Equipment Corporation and shall not be reproduced or copied or used in whole or in part as the basis for the manufacture or sale of items without written permission.

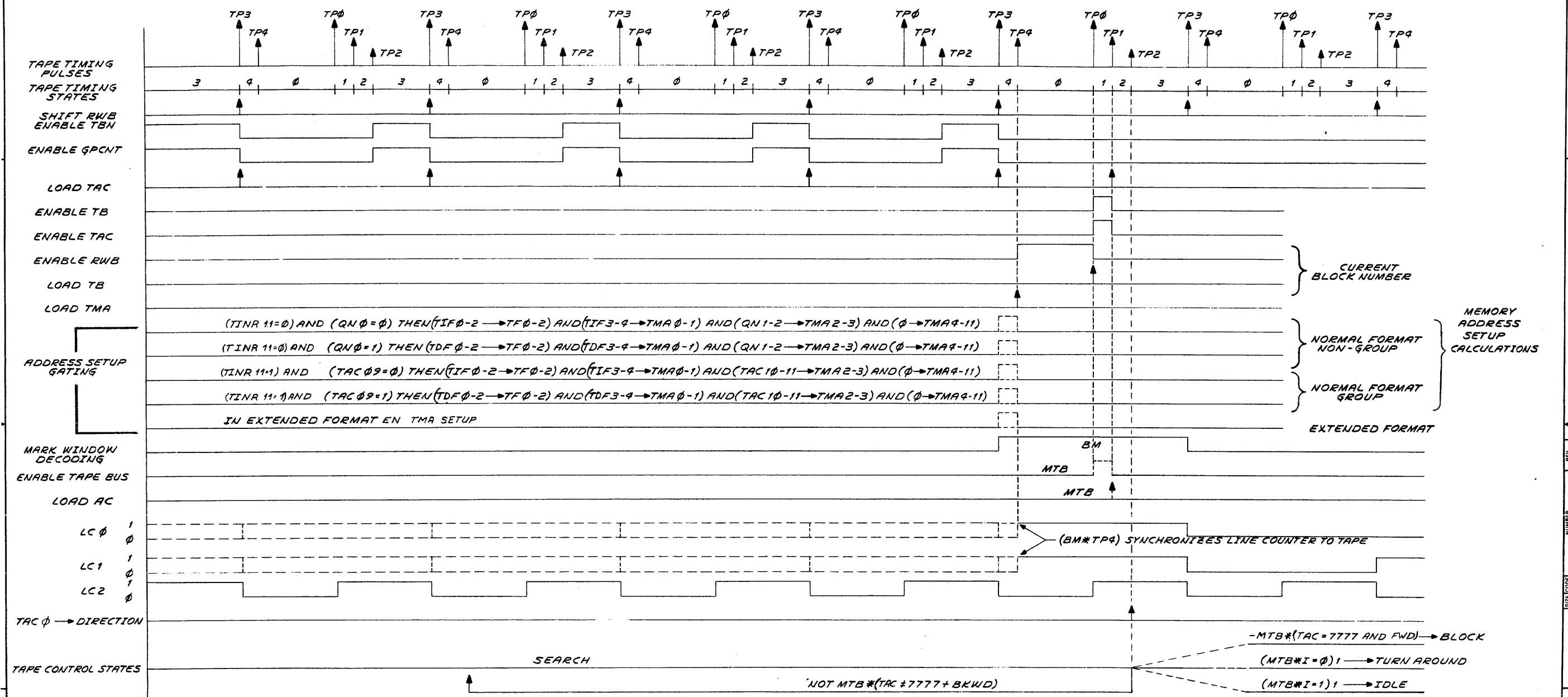


REV.	CHG. NO.	DATE	BY	CHK.
A	0000 2	6/18/69	L. GALE	
B	M12-00003	6/24/69	L. GALE	
C	M12-00015	8/1/69	L. GALE	
D	M12-00017	11/5/69	L. GALE	

QTY.	DESCRIPTION	PART NO.	ITEM NO.
PARTS LIST			
UNLESS OTHERWISE SPECIFIED		digital EQUIPMENT CORPORATION MAYNARD, MASSACHUSETTS	
DRN. 11-24-68	DATE 2/2/69	TITLE LINC TAPE INST SETUP TIMING	
CHG. NO. 6	DATE 2-18-69	SIZE CODE D FD	
ENG. [Signature]	DATE 2-18-69	NUMBER TC12-0-11	
PROJ. ENG. [Signature]	DATE 2-18-69	REV. D	
PROD. [Signature]	DATE 2/18/69	SCALE	
MATERIAL		SHEET 1 OF 1	
FINISH		DIST.	

DEC FORM NO. DRD 102A

This drawing and specifications, herein, are the property of Digital Equipment Corporation and shall not be reproduced or copied or used in whole or in part as the basis for the manufacture or sale of items without written permission.

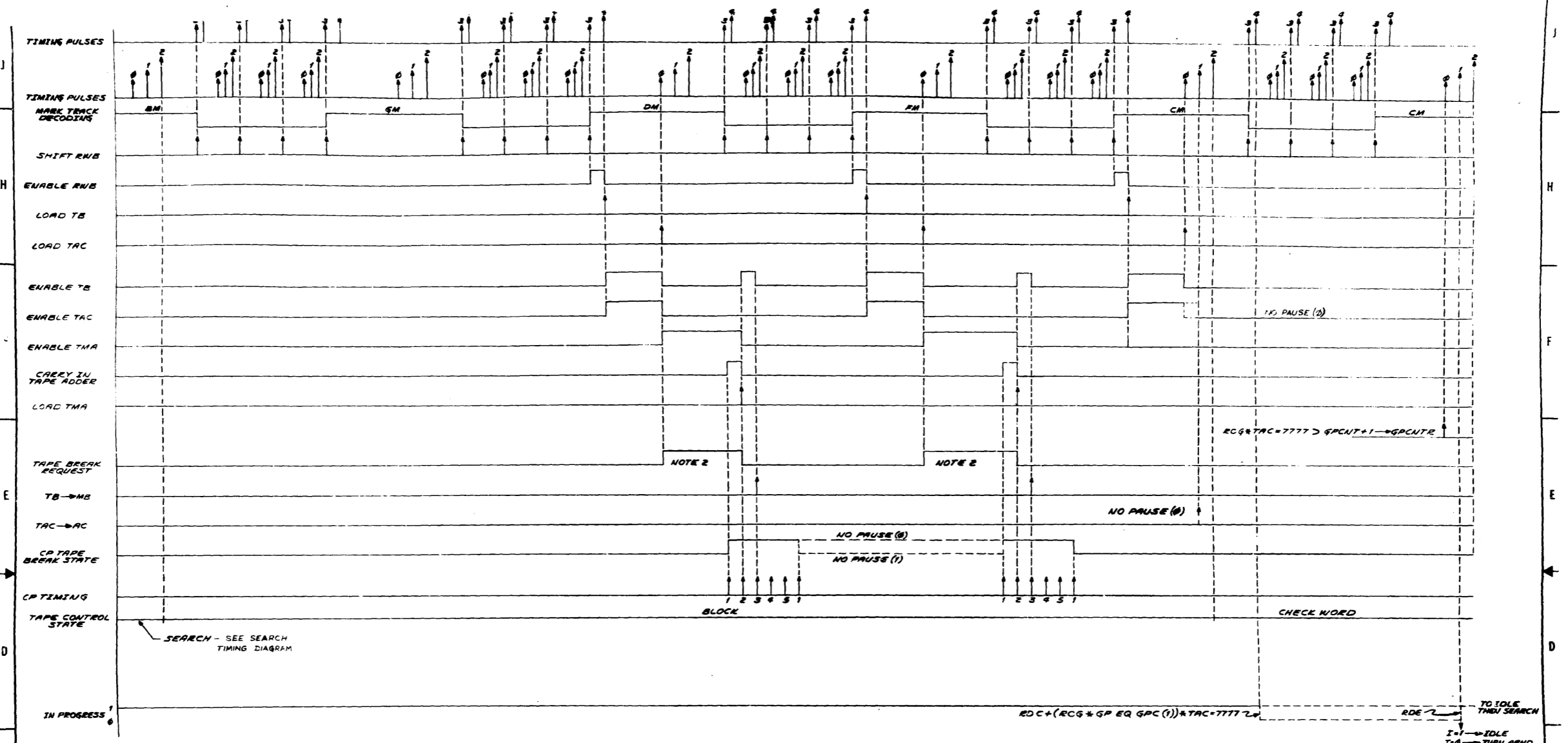


NOTE: TIMING NOT SHOWN TO SCALE. TP0 & TP3 ARE DERIVED FROM ZERO CROSSINGS OF TAPE TIMING TRACK. TP0 & TP3 ARE SEPARATED BY APPROXIMATELY 15 USEC. TTS1, TTS2, TTS4 ARE EACH 0.5 USEC.

REV.	CHG. NO.	DATE	BY
A	00002	11/25/68	T. GULLIN
B	00003	1/18/69	L. GALE
C	00015	8/1/69	L. GALE
		10/17/69	L. GALE

UNLESS OTHERWISE SPECIFIED	DRN. DATE 11-25-68	digital EQUIPMENT CORPORATION
UNLESS OTHERWISE SPECIFIED	CHKD. DATE 2/2/69	MAYNARD, MASSACHUSETTS
DIMENSION IN INCHES	ENG. DATE	TITLE
TOLERANCES	PROJ. ENG. DATE	SEARCH TIMING
DECIMALS FRACTIONS ANGLES	PRODY. DATE	
± .005 ± 1/64 ± 0°30'	FIRST USED ON	SIZE CODE NUMBER REV.
FINAL SURFACE QUALITY / REMOVE BURRS AND BREAK SHARP CORNERS	TC12	D FD TC12-0-12 C
MATERIAL	SCALE	SHEET 1 OF 1
FINISH	DIST.	

D
C
C
B

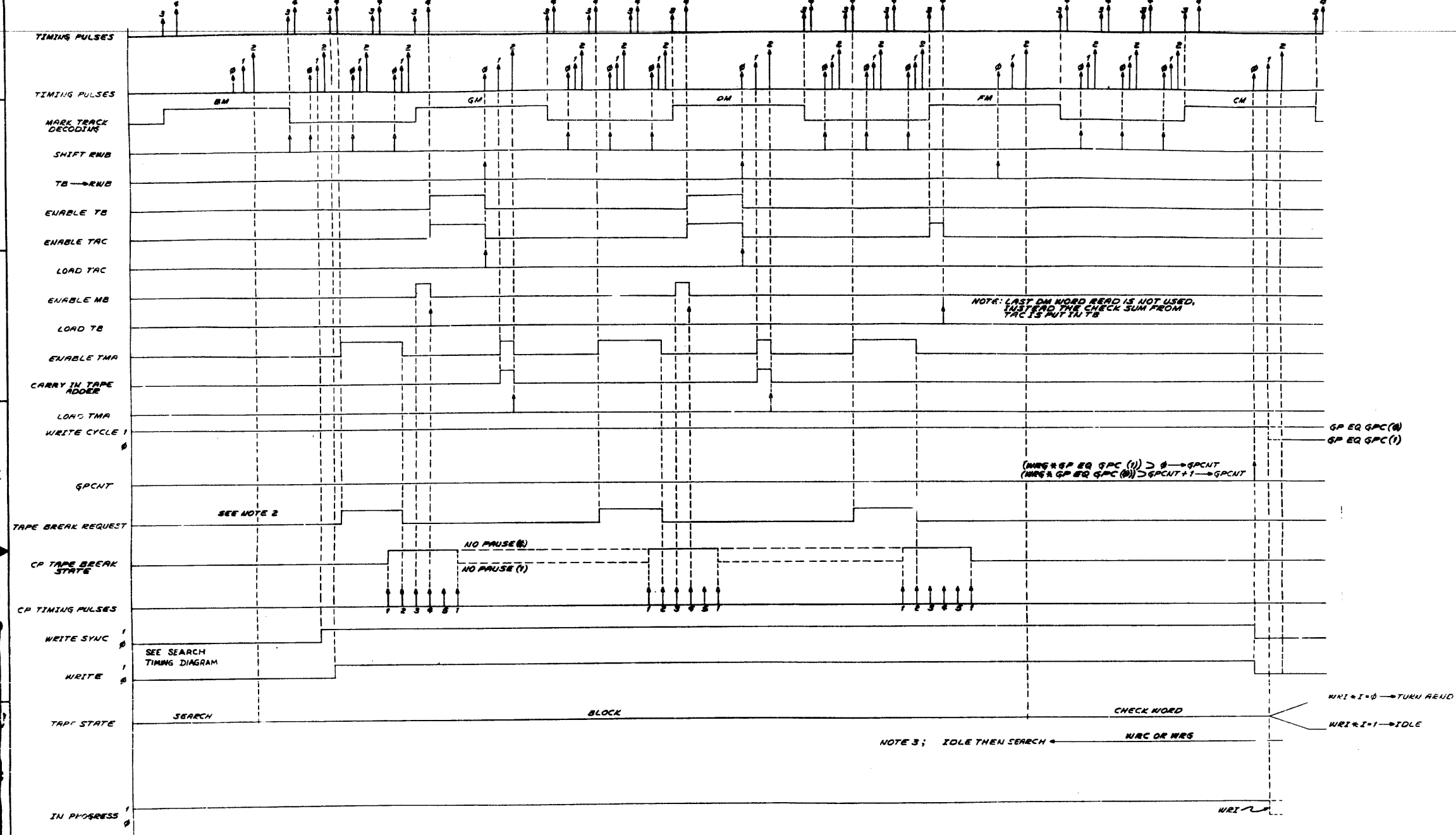


NOTES:
 1. TIMING AND MARK TRACK DECODING NOT SHOWN TO SCALE
 2. TIMING BETWEEN TAPE BREAK REQUEST AND CP TAPE BREAK STATE IS PROGRAM DEPENDENT

0001	0002	0003	0004	0005	0006	0007	0008	0009	0010
0011	0012	0013	0014	0015	0016	0017	0018	0019	0020
0021	0022	0023	0024	0025	0026	0027	0028	0029	0030
0031	0032	0033	0034	0035	0036	0037	0038	0039	0040
0041	0042	0043	0044	0045	0046	0047	0048	0049	0050

QTY.	DESCRIPTION	PART NO.	ITEM NO.
EQUIPMENT CORPORATION			
BLOCK MODE READING			
PART USED ON PDA-12			
SCALE			
SHEET / OF /			
DATE			

USE THIS TO IDENTIFY THE TYPE OF PULSE OR TO IDENTIFY THE TYPE OF PULSE



NOTE: LAST DM WORD READ IS NOT USED, INSTEAD THE CHECK SUM FROM TAC IS PUT IN TB

(WRI * GP EQ GPC (1)) > 0 -> GPCNT
(WRI * GP EQ GPC (0)) > GPCNT + 1 -> GPCNT

GP EQ GPC (0)
GP EQ GPC (1)

SEE NOTE 2

NO PAUSE (0)
NO PAUSE (1)

SEE SEARCH TIMING DIAGRAM

WRI = 0 -> TURN REUD
WRI = 1 -> IDLE

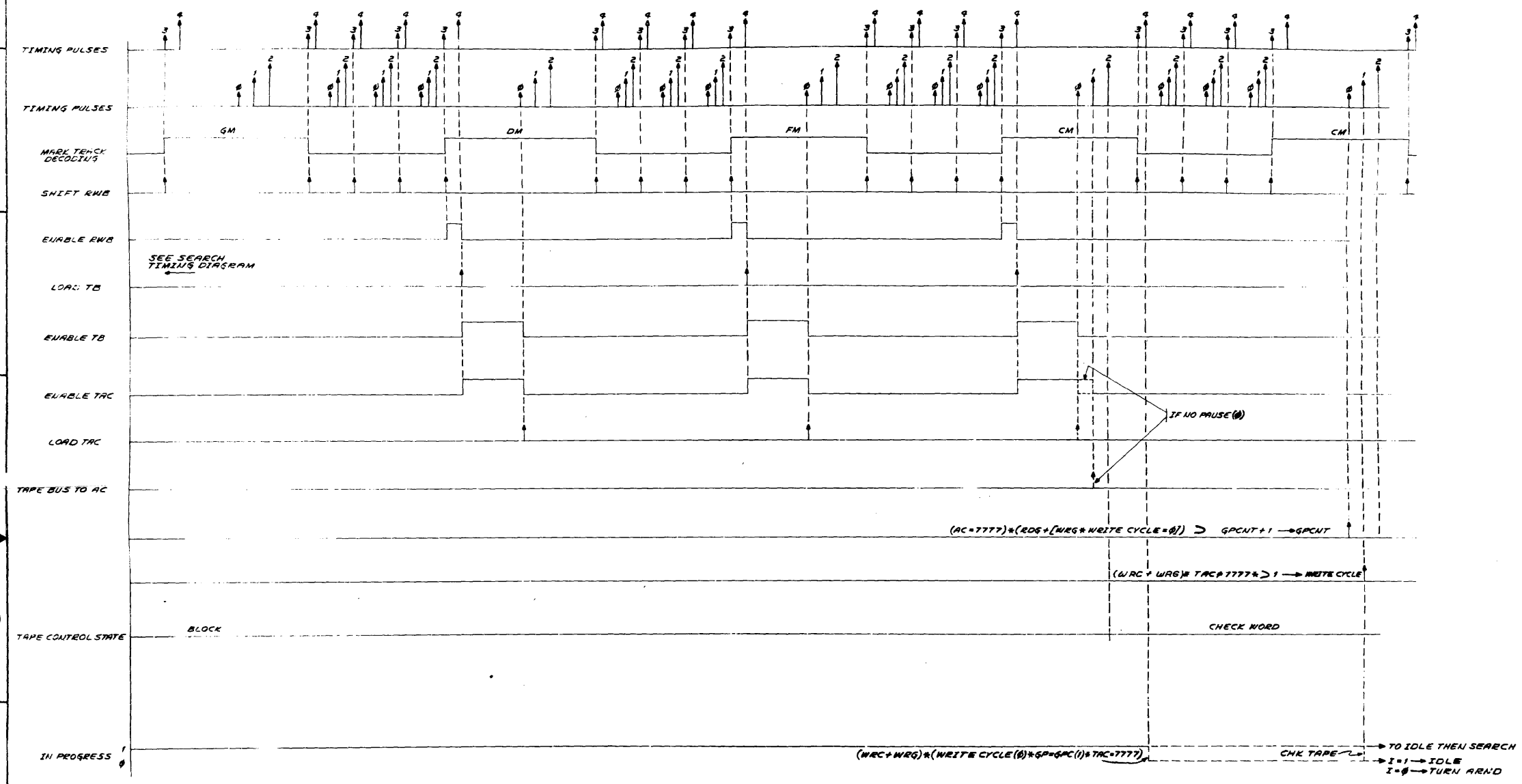
NOTE 3; IDLE THEN SEARCH -> WRC OR WRS

- NOTES:
1. TIMING AND MARK TRACK DECODING NOT SHOWN TO SCALE.
 2. TIMING BETWEEN TAPE BREAK REQUEST AND CP TAPE BREAK STATE IS PROGRAM DEPENDENT.
 3. PERFORMS CHECK PHASE WHEN WRITE CYCLE GOES TO ZERO.

REV	DATE	BY	CHKD
00002	7-20-64	J. W. L.	
00003	7-20-64	J. W. L.	
00004	7-20-64	J. W. L.	
00005	7-20-64	J. W. L.	

QTY	DESCRIPTION	PART NO.	ITEM NO.
UNLESS OTHERWISE SPECIFIED		EQUIPMENT CORPORATION	
DIMENSIONS IN INCHES		TOLERANCES UNLESS OTHERWISE SPECIFIED	
FRACTIONS DECIMALS		FRACTIONS DECIMALS	
.0005 .0010 .0015 .0020 .0030 .0040 .0050 .0060 .0070 .0080 .0090 .0100		.0005 .0010 .0015 .0020 .0030 .0040 .0050 .0060 .0070 .0080 .0090 .0100	
FINISH		SCALE	
NONE		AS SHOWN	
MATERIAL		DRAWING NO.	
STEEL		E-12-12-0-10	
FINISH		SHEET	
NONE		1 OF 1	

Timing diagram showing the sequence of events for the Block Mode Checking process. The diagram is divided into sections labeled GM, DM, FM, CM, and CM.

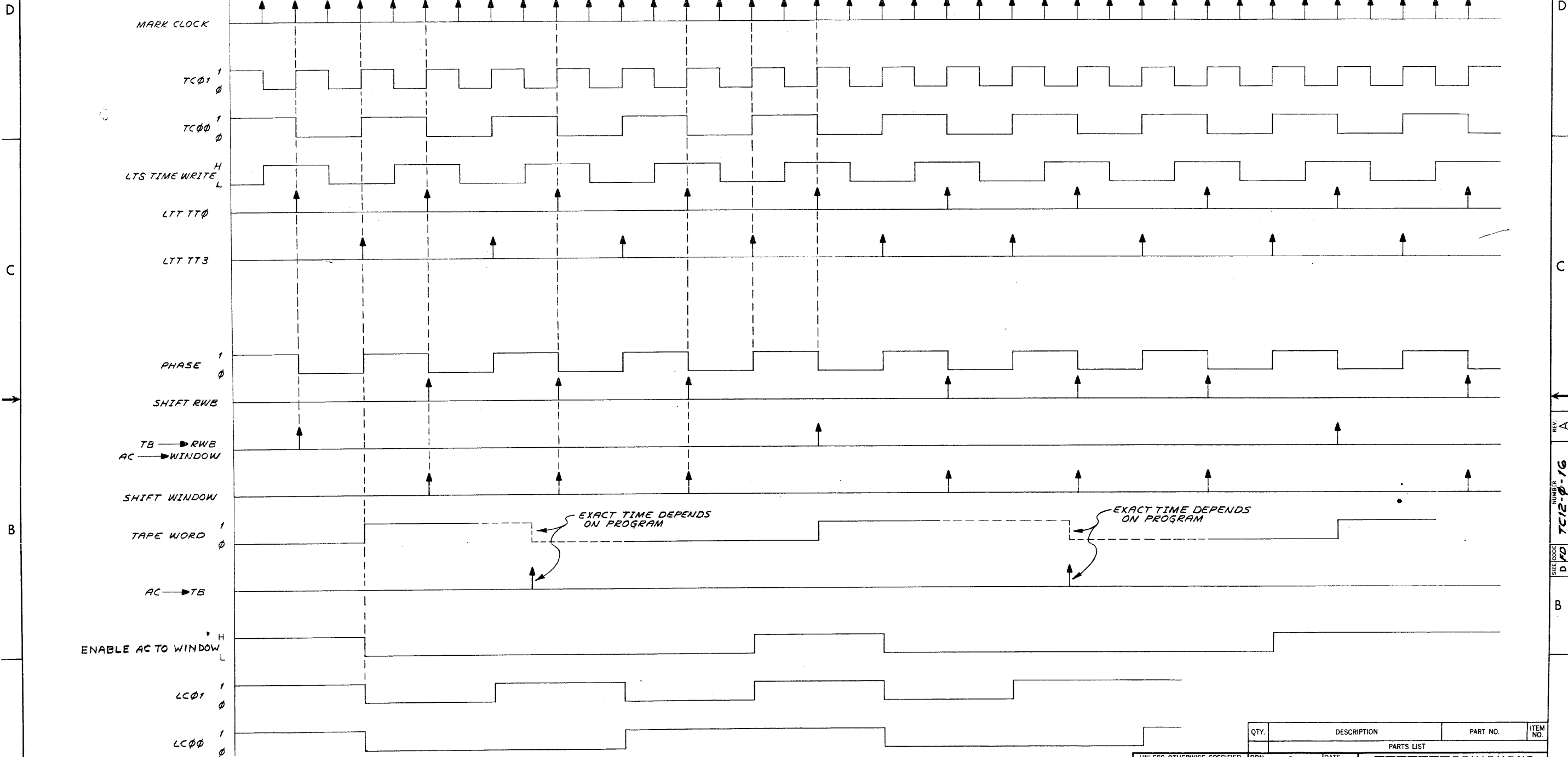


REVISIONS
 1. 1000000
 2. 1000000
 3. 1000000
 4. 1000000
 5. 1000000
 6. 1000000
 7. 1000000
 8. 1000000
 9. 1000000
 10. 1000000

QTY	DESCRIPTION	PART NO.	ITEM NO.
EQUIPMENT CORPORATION			
BLOCK MODE CHECKING			
PDA-12		TC12-0-15	
SCALE		SHEET / OF /	

This drawing and specifications, herein, are the property of Digital Equipment Corporation and shall not be reproduced, stored, used, or in part as the basis for the manufacture or sale of items without written permission.

91-0-2124 01 2
 3000375



REV.	CHANGE NO.	DATE
A	EM12-00003	8/25/69
T. B. VILLANOVAS		
L. GALE		
J. J. C. 8/15/69		

UNLESS OTHERWISE SPECIFIED
 DIMENSION IN INCHES
 TOLERANCES
 DECIMALS FRACTIONS ANGLES
 = .005 = 1/64 = 0°30'
 REMOVE BURRS AND BREAK SHARP CORNERS

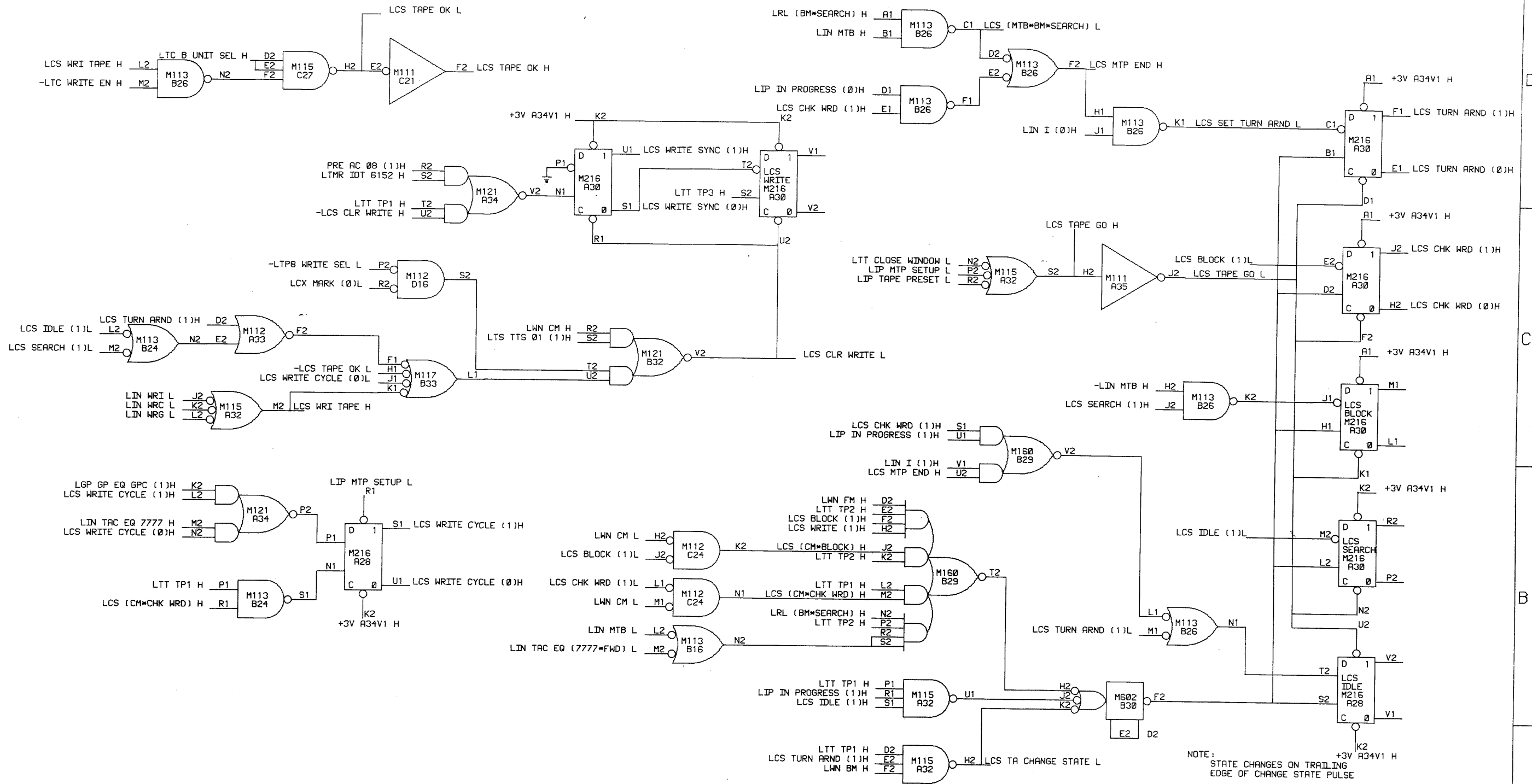
QTY.	DESCRIPTION	PART NO.	ITEM NO.
PARTS LIST			
DRN	DATE	9-21-68	
CHK'D	DATE	2/2/69	
ENG	DATE	2/2/69	
PROJ. ENG.	DATE	2/2/69	
PROD.	DATE	2/2/69	
FIRST USED ON		TC12	
SCALE		D/FD	
SHEET 1 OF 1		DIST.	

digital EQUIPMENT CORPORATION
 MATTAPOISETT, MASSACHUSETTS

TITLE: MARK TIMING

SIZE CODE: D/FD NUMBER: TC12-0-16 REV. A

This drawing and specifications herein are the property of Digital Equipment Corporation and shall not be reproduced or copied in whole or in part as the basis for the manufacture or sale of items without written permission.

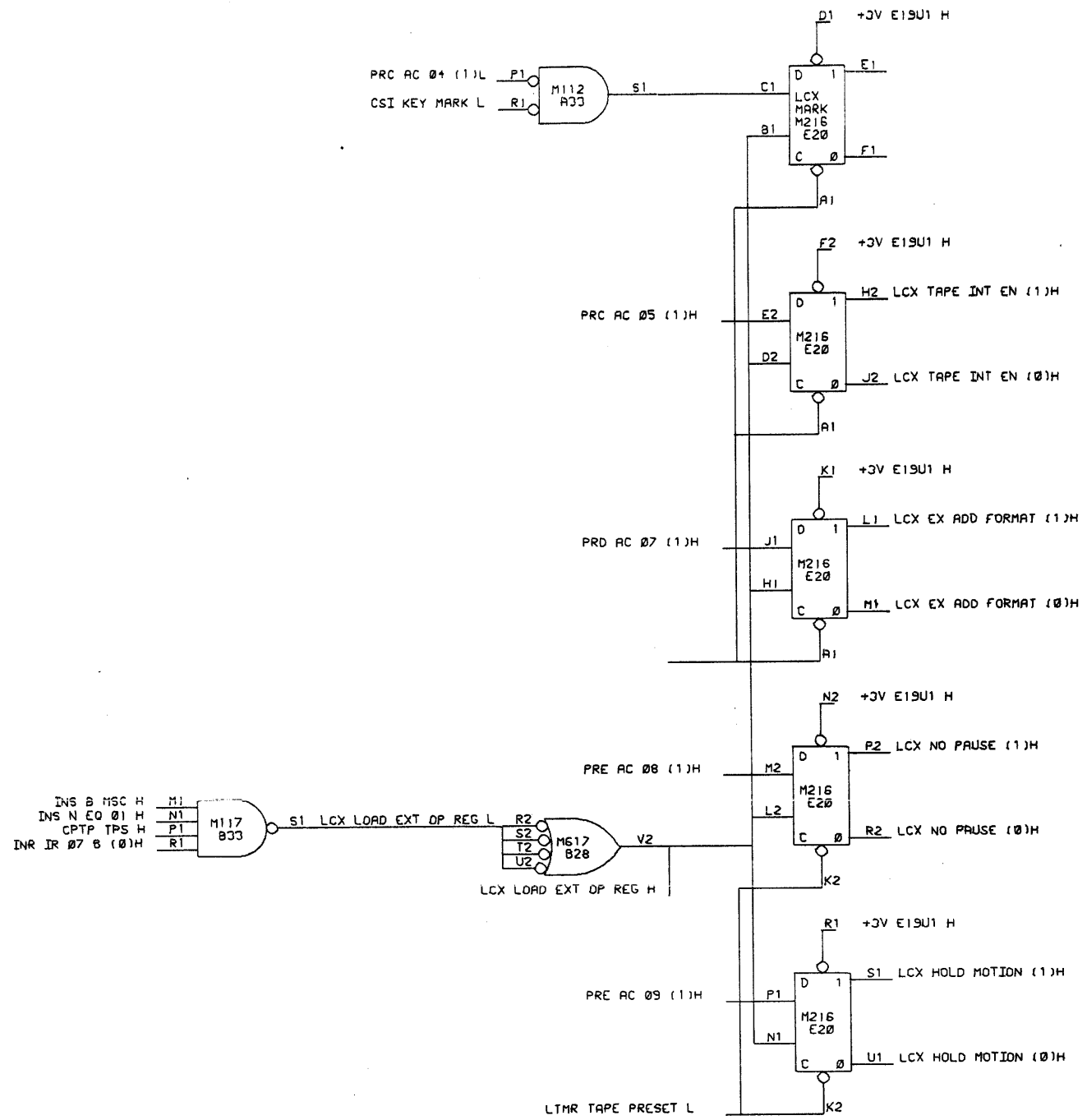
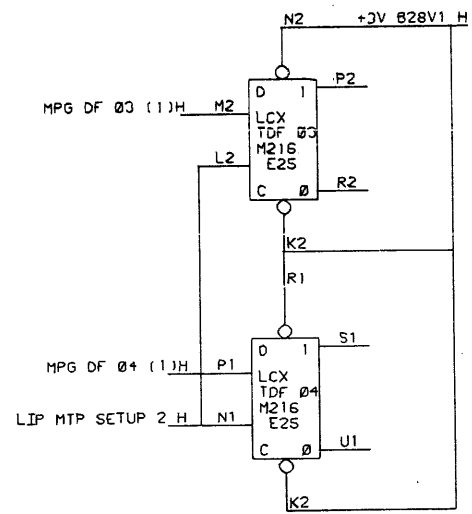
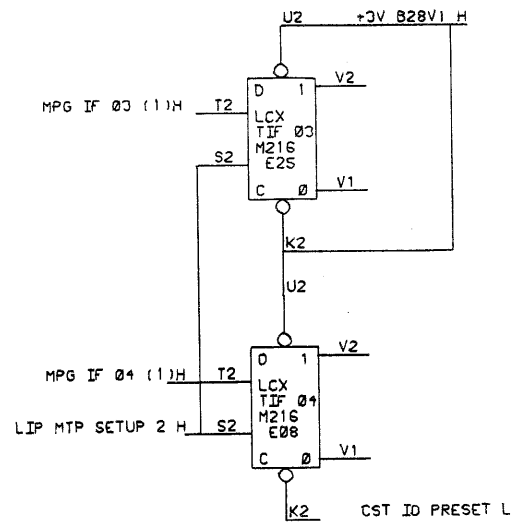


REVISIONS		REVISIONS			
CHK	CHANGE NO.	REV.	CHK	CHANGE NO.	REV.
	EM12-00003	A	NR	EM12-00017	E
L	EM12-00007	B			
B	KORTLING 8-5-69				
L	GALE				
NR	EM12-00009	C			
B	KORTLING				
L	GALE 8-26-69				
NR	EM12-00015	D			
K	BOGGS 10-14-69				
J	SCANLAN 10-17-69				

DRN D SHEPARD	DATE 3-10-69	digital EQUIPMENT CORPORATION MAYNARD, MASSACHUSETTS
CHK'D J BISONETE	DATE 3-10-69	
ENG L GALE	DATE 3-10-69	
PROJ. ENG L GALE	DATE 3-10-69	
PROD. D CALL	DATE 3-10-69	
TITLE TAPE CONT STATES + INST		
FIRST USED ON TC12	SIZE CODE D BS	NUMBER TC12-0-LCS
SCALE SHEET 1 OF 1	DIST.	REV. E

This drawing and specifications herein are the property of Digital Equipment Corporation and shall not be reproduced or copied or used in whole or in part as the basis for the manufacture or sale of items without written permission.

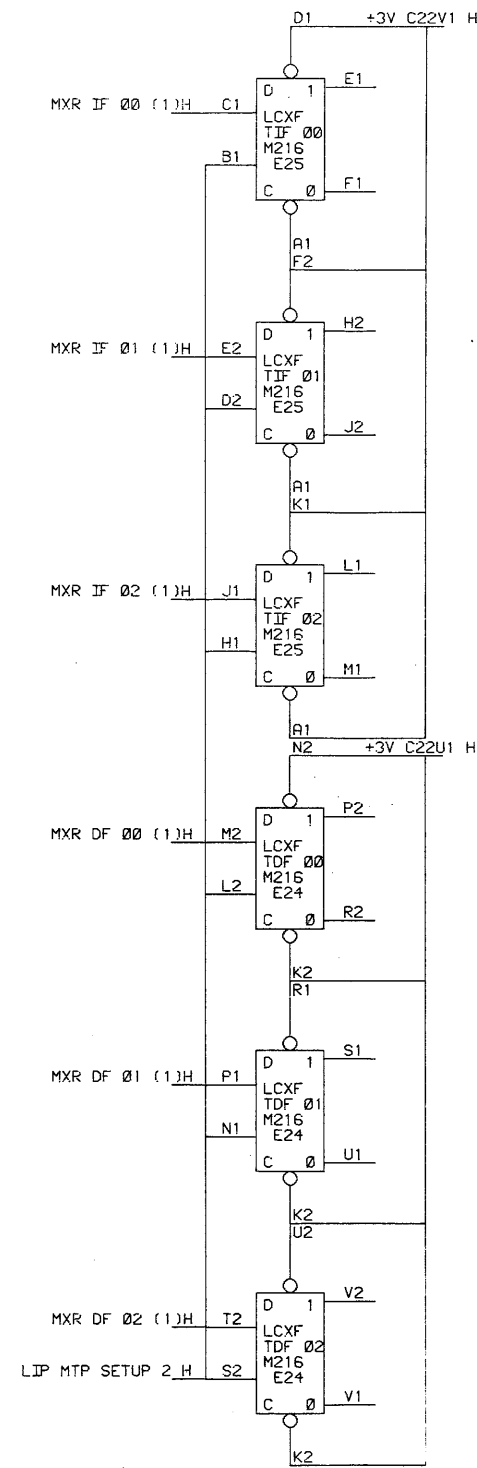
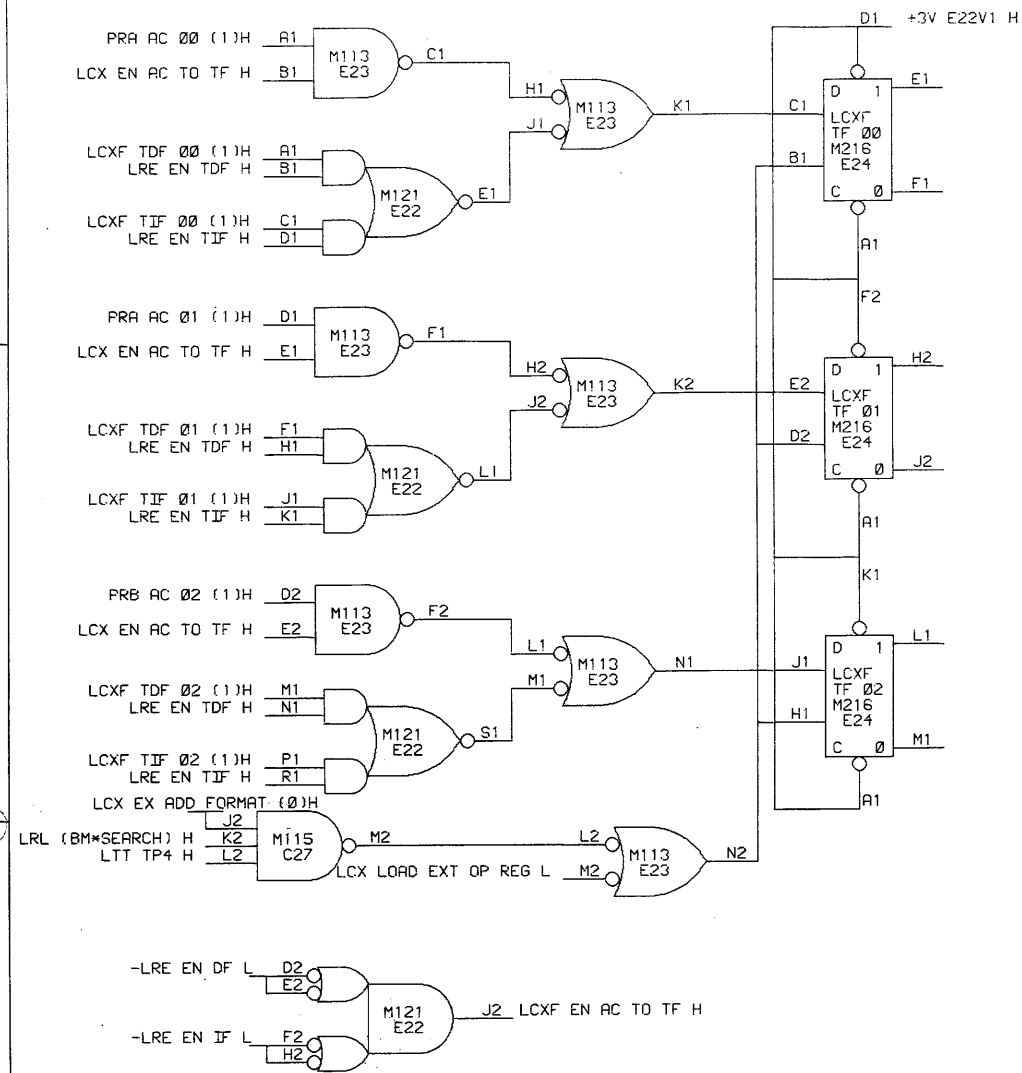
LTP TAPE PRESET L



REVISIONS		
CHK	CHANGE NO.	REV.
	EM12-00002	A
A.	WASHINGTON	
	L. GALE	
	EM12-00007	B
	BRUCE KORTLING	
	L. GALE	

DRN. D.L. SHEPARD	DATE 3-9-69	digital EQUIPMENT CORPORATION MAYNARD, MASSACHUSETTS
CHK'D. J.R. BISONETE	DATE 3-9-69	
ENG. L. GALE	DATE 3-9-69	TITLE TAPE EXTENDED OPERATIONS
PROJ. ENG. L. GALE	DATE 3-9-69	
PROD. I.D. CALL	DATE 3-9-69	
FIRST USED ON TC12		
SCALE SHEET 1 OF 1	SIZE/CODE D BS	NUMBER TC12-0-LCX
	DIST.	REV. B

This drawing and specifications, herein, are the property of Digital Equipment Corporation and shall not be reproduced or copied or used in whole or in part as the basis for the manufacture or sale of items without written permission.



REVISIONS		
CHK	CHANGE NO.	REV.
	EM12-00002	

DRN. D.L. SHEPARD	DATE 8-9-69	digital EQUIPMENT CORPORATION MAYNARD, MASSACHUSETTS
CHK'D. J.K. BISONETE	DATE 8-9-69	
ENG. L. GALE	DATE 8-9-69	TITLE TAPE EXTENDED FIELDS
PROJ. ENG. L. GALE	DATE 8-9-69	
PROD. D. CALL	DATE 8-9-69	
FIRST USED ON		
TC12	SIZE CODE D BS	NUMBER TC12-0-LCXF
SCALE	DIST.	REV. R
SHEET 1 OF 1		

8

7

6

5

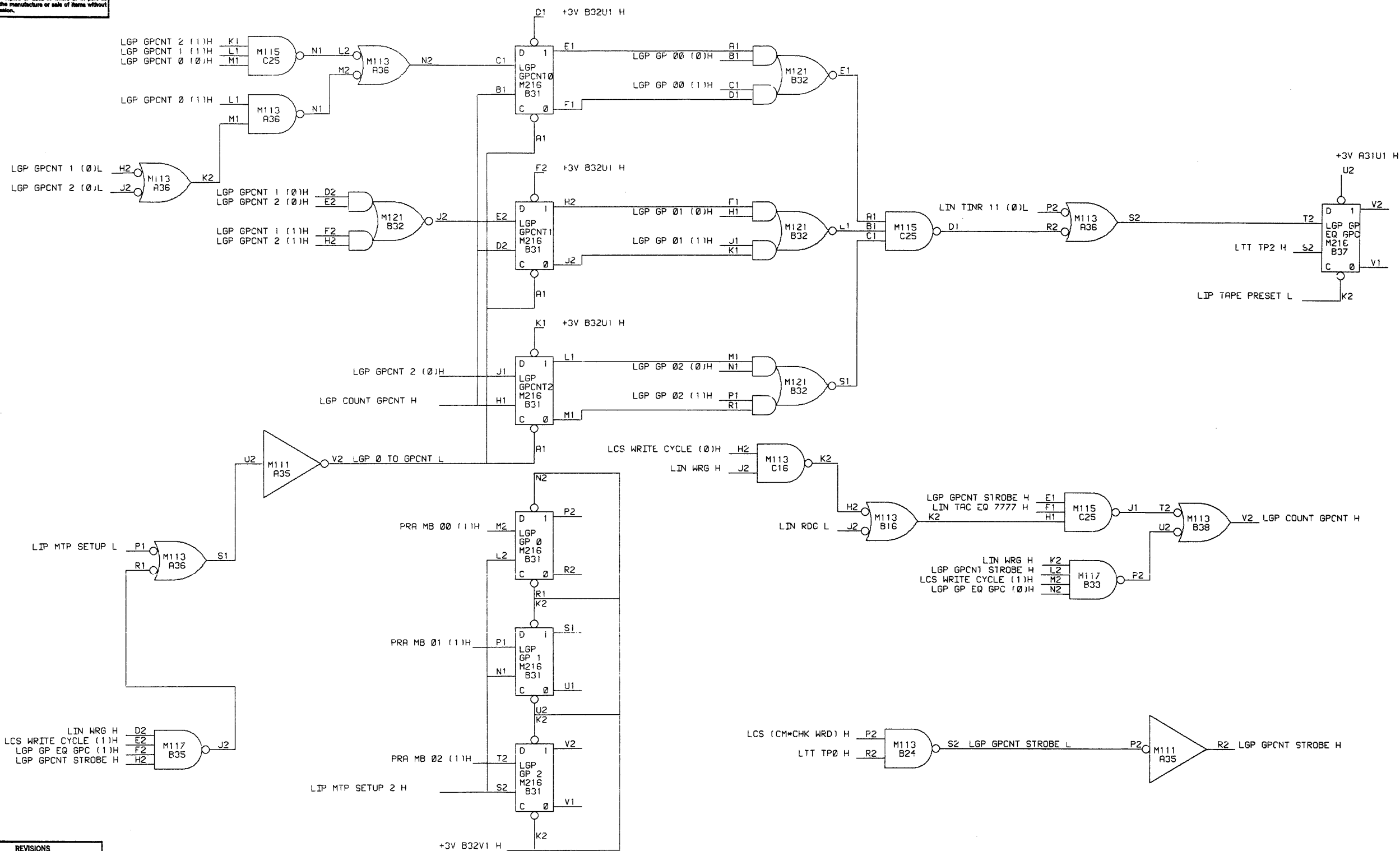
4

3

2

1

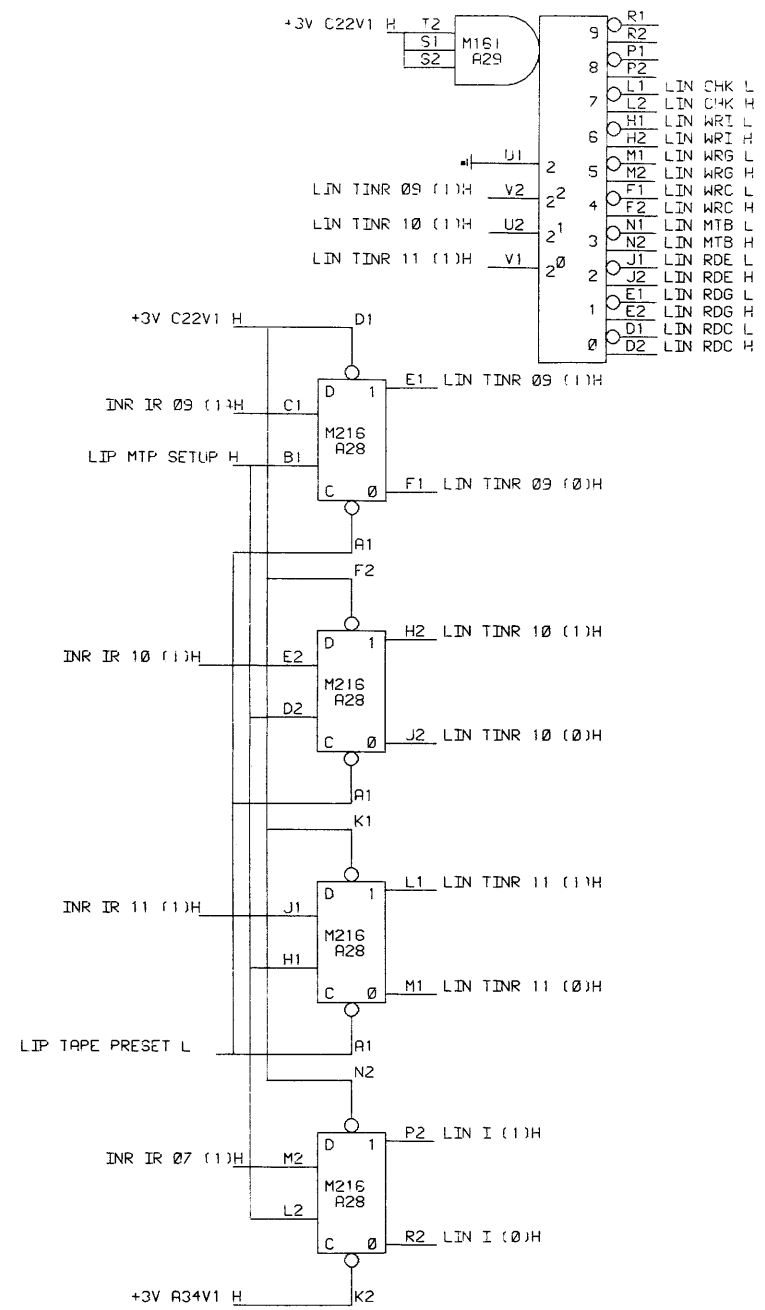
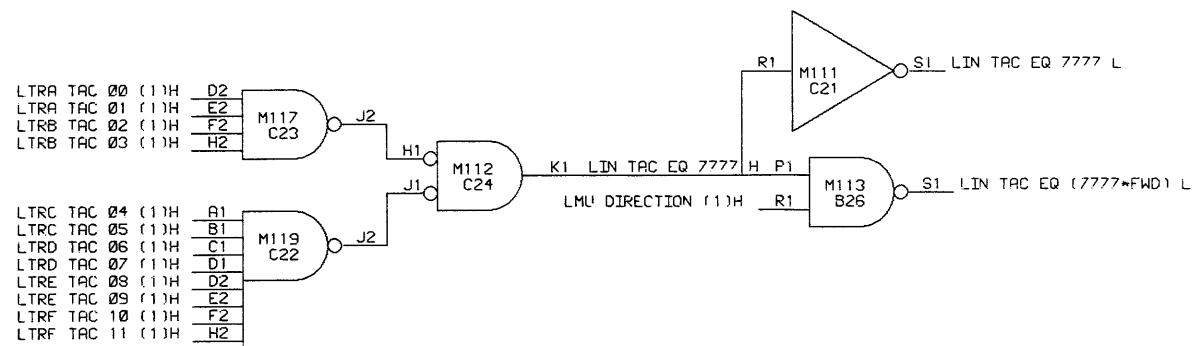
This drawing and specifications, herein, are the property of Digital Equipment Corporation and shall not be reproduced or copied in whole or in part as the basis for the manufacture or sale of items without written permission.



REVISIONS		
CHK	CHANGE NO.	REV.
NR	EM12-00015	A
	K BOGGS 10-14-69	
	J SCANLAN 10-17-69	
AC	EM12-00037	B
	K KRYSIAK 7-29-70	
	G GALE 7-29-70	
REV	EM12-00041	C
	<i>D. Mable</i>	<i>10/29/70</i>

DRN	D SHEPARD	DATE	3-10-69	 digital EQUIPMENT CORPORATION <small>MAYNARD, MASSACHUSETTS</small>
CHKD	J BISONETE	DATE	3-10-69	
ENG	L GALE	DATE	3-10-69	
PROJ. ENG	L GALE	DATE	3-10-69	
PROD.	D CALL	DATE	3-10-69	
FIRST USED ON				
TC12	SIZE CODE	NUMBER	REV.	
SCALE	D BS	TC12-0-LGP	C	
SHEET 1	OF 1	DIST.		

This drawing and specifications, herein, are the property of Digital Equipment Corporation and shall not be reproduced or copied or used in whole or in part as the basis for the manufacture or sale of items without written permission.



REVISIONS		
CHK	CHANGE NO.	REV.

DRN.	DATE	digital EQUIPMENT CORPORATION <small>MAYNARD, MASSACHUSETTS</small>
CHK'D.	DATE	
ENG.	DATE	
PROJ. ENG.	DATE	
PROD.	DATE	TITLE TAPE INSTR
FIRST USED ON		
1012		
SCALE	D BS	NUMBER TC12-0-LIN
SHEET	OF	DIST.

8

7

6

5

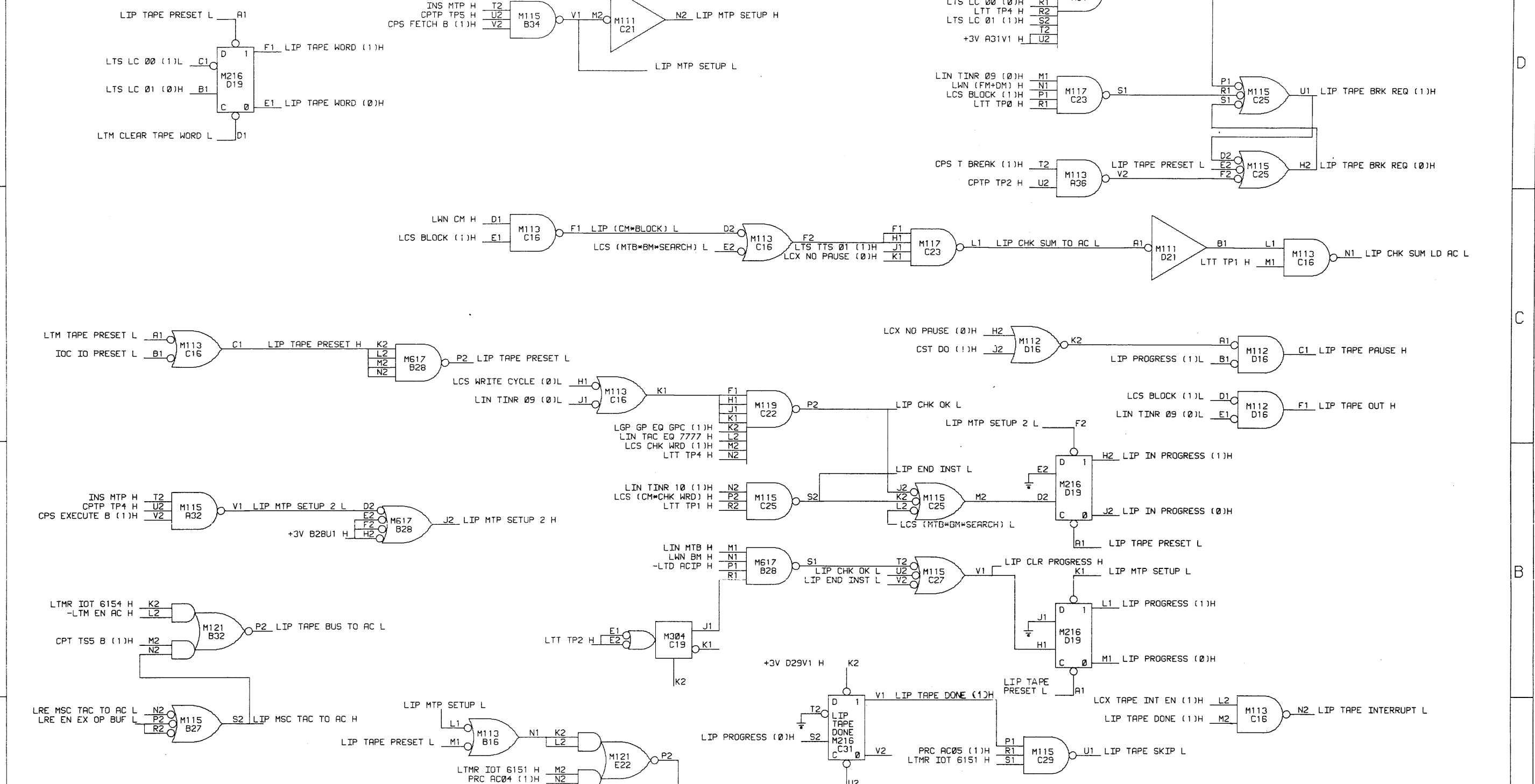
4

3

2

1

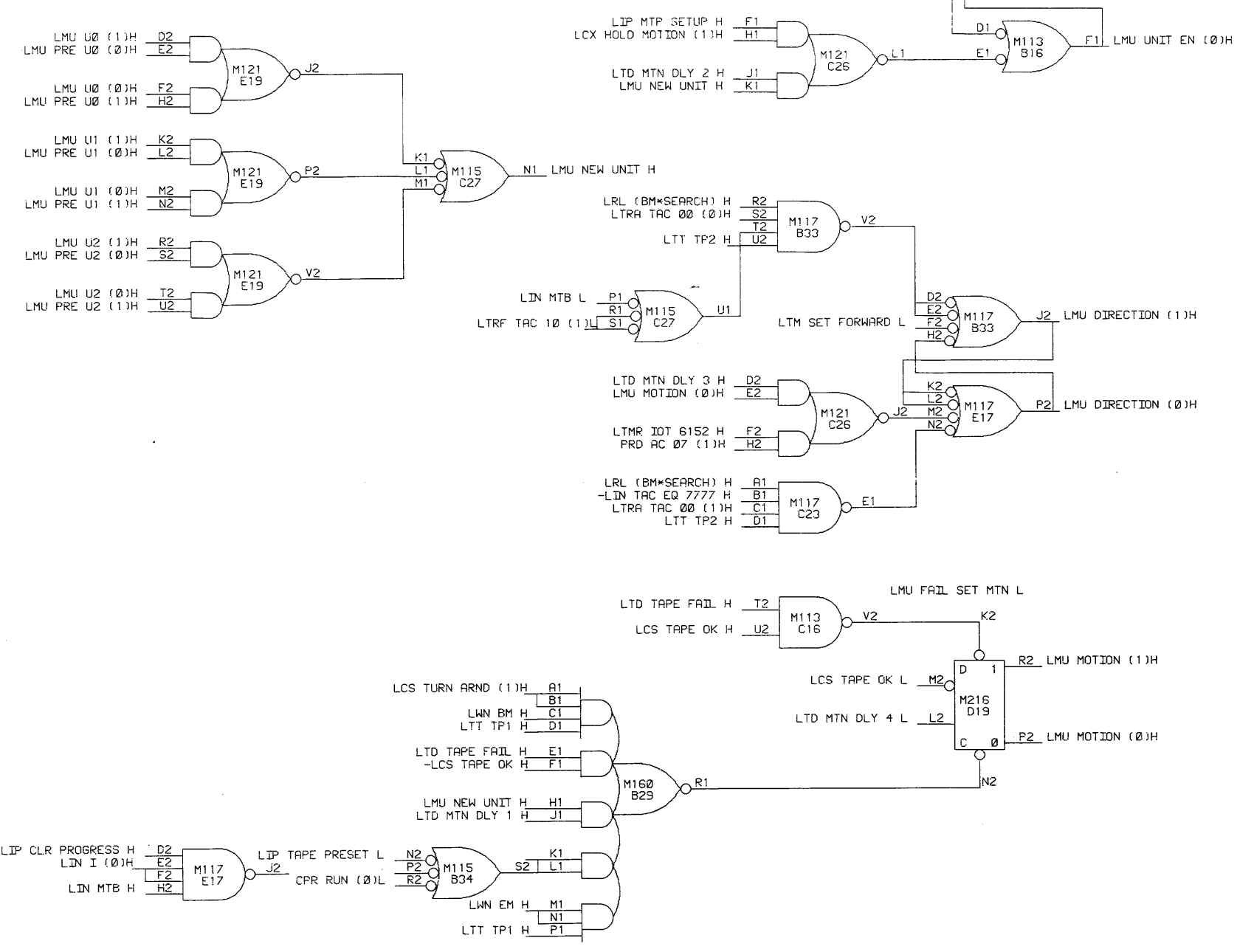
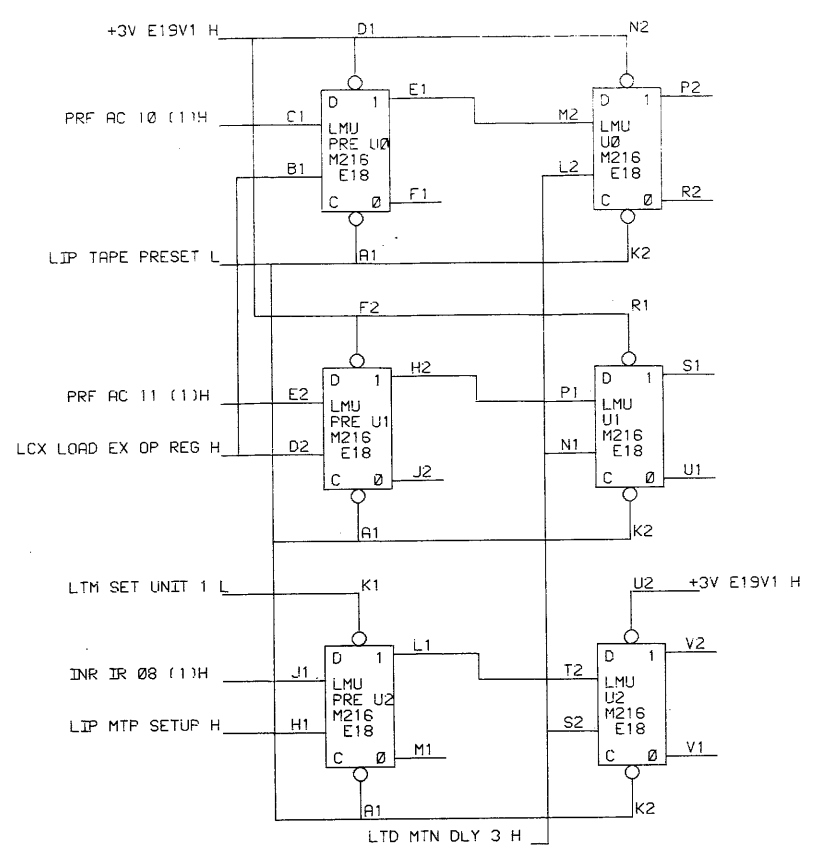
This drawing and specifications, herein, are the property of Digital Equipment Corporation and shall not be reproduced or copied in whole or in part as the basis for the manufacture or sale of items without written permission.



REVISIONS		
CHK	CHANGE NO.	REV.
PD	EM12-00002	A
	J FRASCHAUER 4-15-69	
	L GALE 4-24-69	
	EM12-00003	B
	ADS	
	L GALE	
NR	EM12-00007	C
	B KORTLING 8-25-69	
	L GALE 8-26-69	
	EM12-00017	D
	L GALE 11-13-69	
	L GALE 11-19-69	

DRN D SHEPARD	DATE 3-5-69		TITLE		
CHKR BISONETE	DATE 3-5-69		INTERPROCESSOR SIGNALS		
ENG L GALE	DATE 3-5-69		SIZE CODE	NUMBER	REV.
PROJ ENG L GALE	DATE 3-5-69		D BS	TC12-0-LIP	D
PROD D CALL	DATE 3-5-69		DIST.		
FIRST USED ON					
TC12					
SCALE					
SHEET 1 OF 1					

This drawing and specifications, herein, are the property of Digital Equipment Corporation and shall not be reproduced or copied or used in whole or in part as the basis for the manufacture or sale of items without written permission.

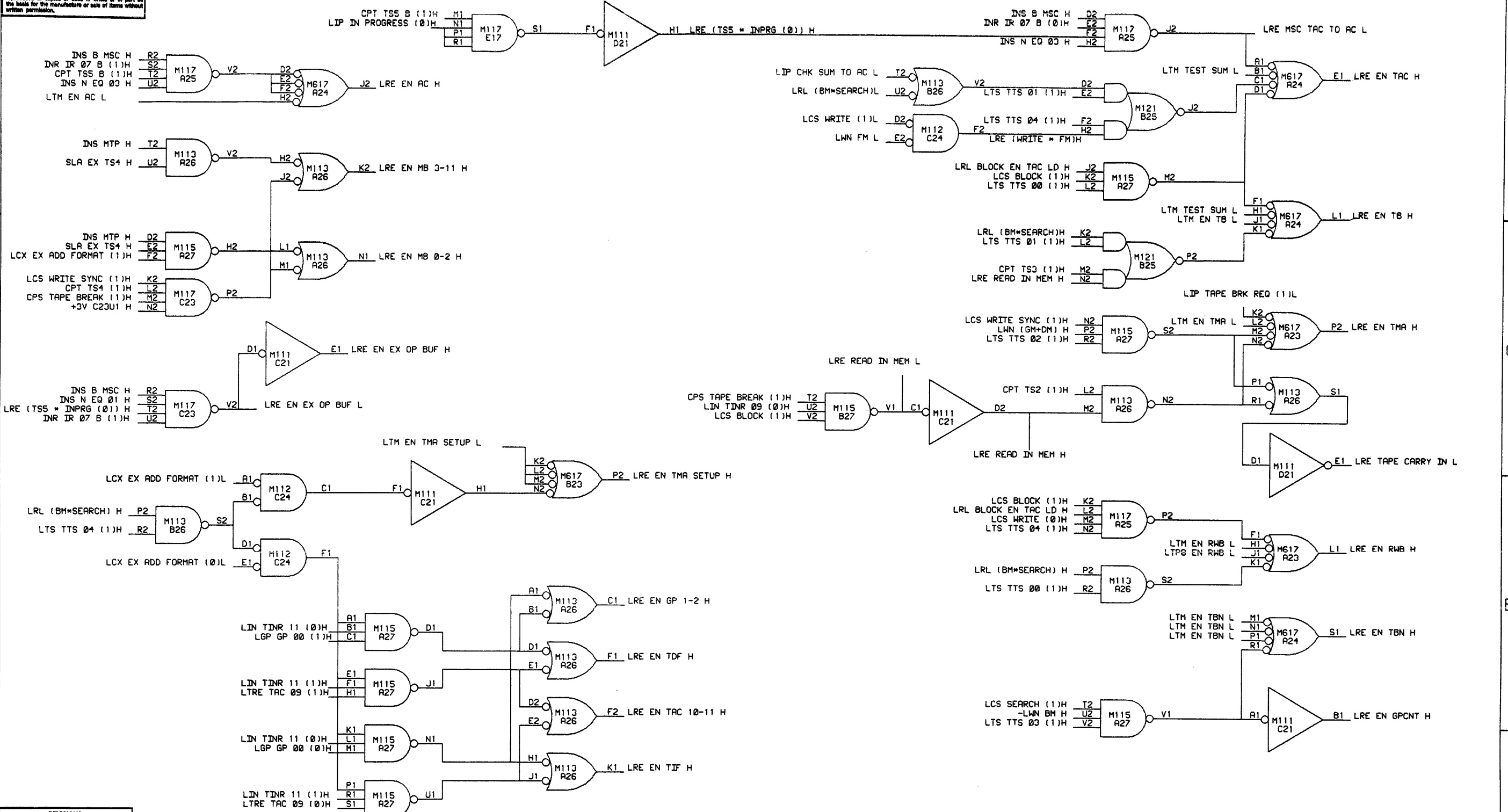


REVISIONS		
CHK	CHANGE NO.	REV.
NR	EM12-00003	A
	ADS	
	J SCANLAN 3/7/69	
	EM12-00017	B

DRN. D SHEPARD	DATE 3-10-69	digital EQUIPMENT CORPORATION MAYNARD, MASSACHUSETTS
CHK'D. J BISONETE	DATE 3-10-69	
ENG. L GALE	DATE 3-10-69	TITLE TAPE UNIT AND MOTION
PROJ. ENG. L GALE	DATE 3-10-69	
PROD. D CALL	DATE 3-10-69	
FIRST USED ON		
SCALE	SIZE CODE D BS	NUMBER TC12-0-LMU
SHEET 1 OF 1	DIST.	REV. 8

8 7 6 5 4 3 2 1

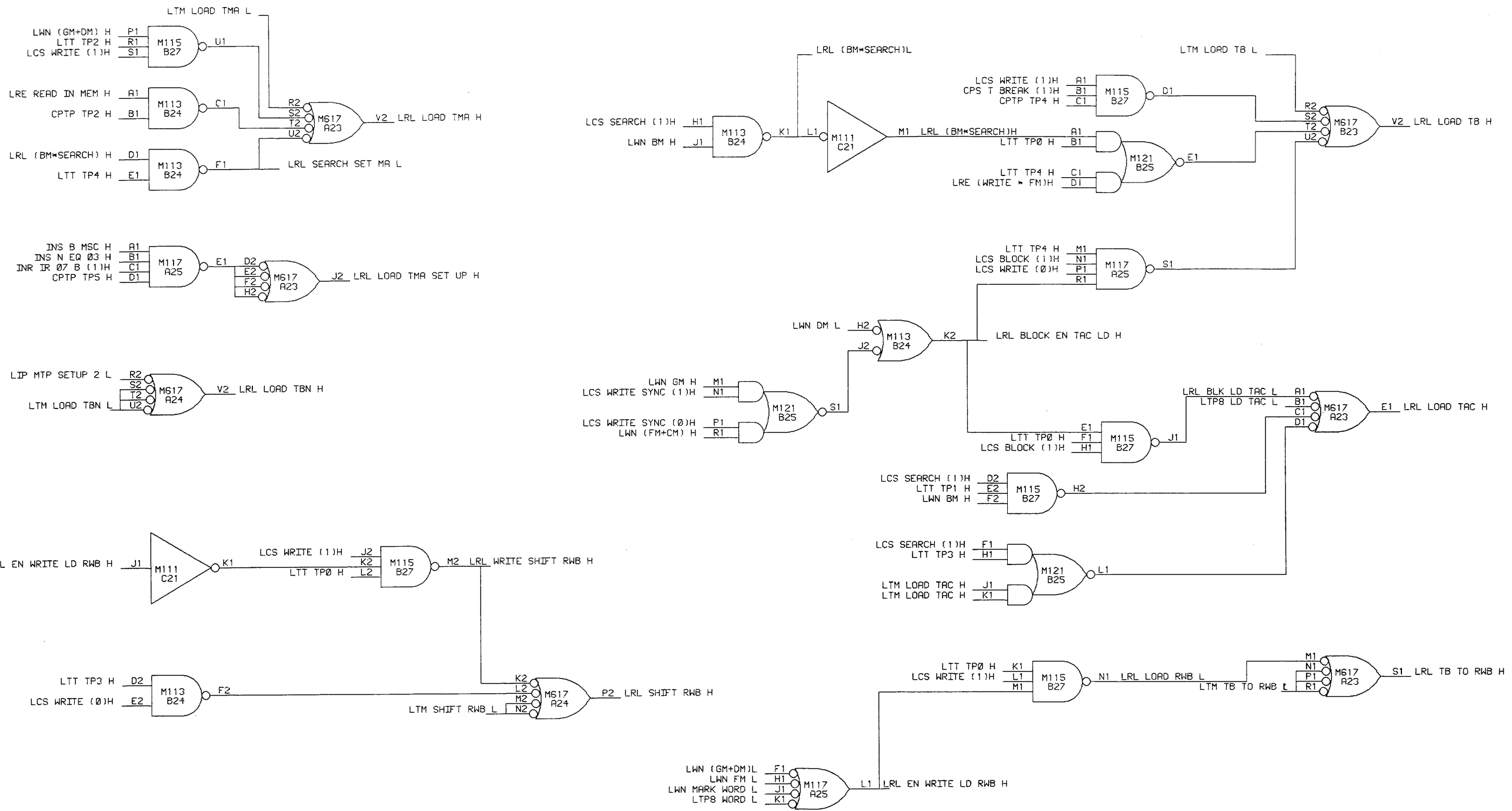
This drawing and specifications, herein, are the property of Digital Equipment Corporation and shall not be reproduced or copied or used in whole or in part as the basis for the manufacture or sale of items without written permission.



REVISIONS		
CHK	CHANGE NO.	REV.
	EM12-00002	A
ADS		
L GALE		
NR	EM12-00007	B
	B KOTELING 8-31-69	
	L GALE 8-26-69	
V+	EM12-00041	C

DRN D SHEPARD	DATE 3-9-69	digital CORPORATION MAYNARD, MASSACHUSETTS
CHK'D J BISSONNETTE	DATE 3-9-69	
ENG. L GALE	DATE 3-9-69	TITLE TAPE REG ENABLE CTRL
PROJ. ENG. L GALE	DATE 3-9-69	
PROD. D CALL	DATE 3-9-69	
FIRST USED ON TC12		
SCALE D BS	SIZE CODE TC12-0-LRE	NUMBER C
SHEET 1 OF 1	DIST.	

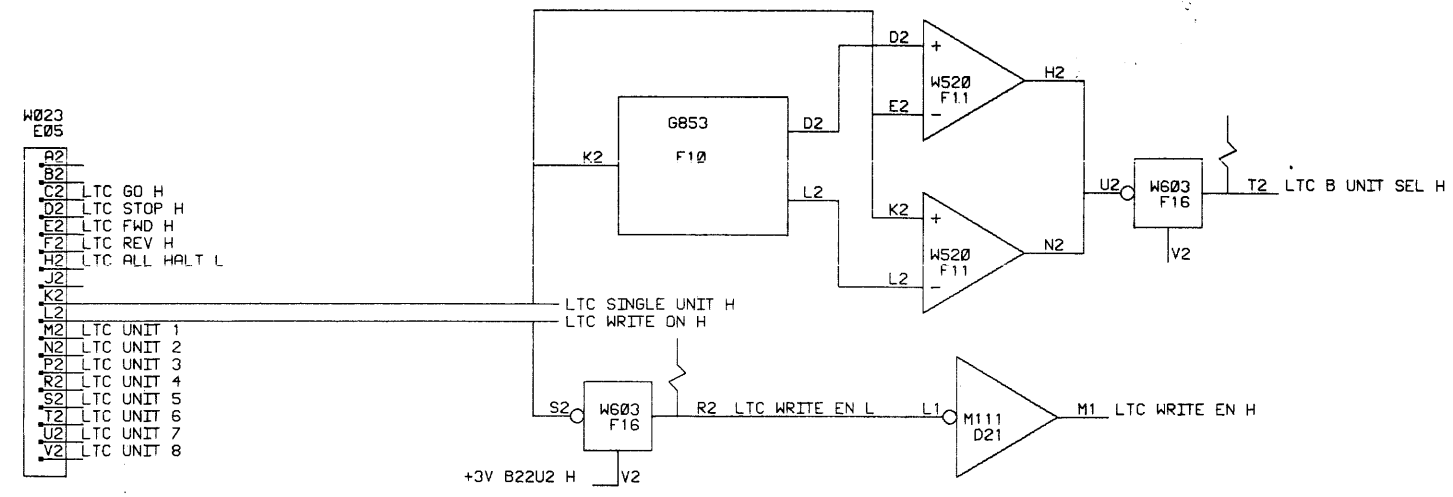
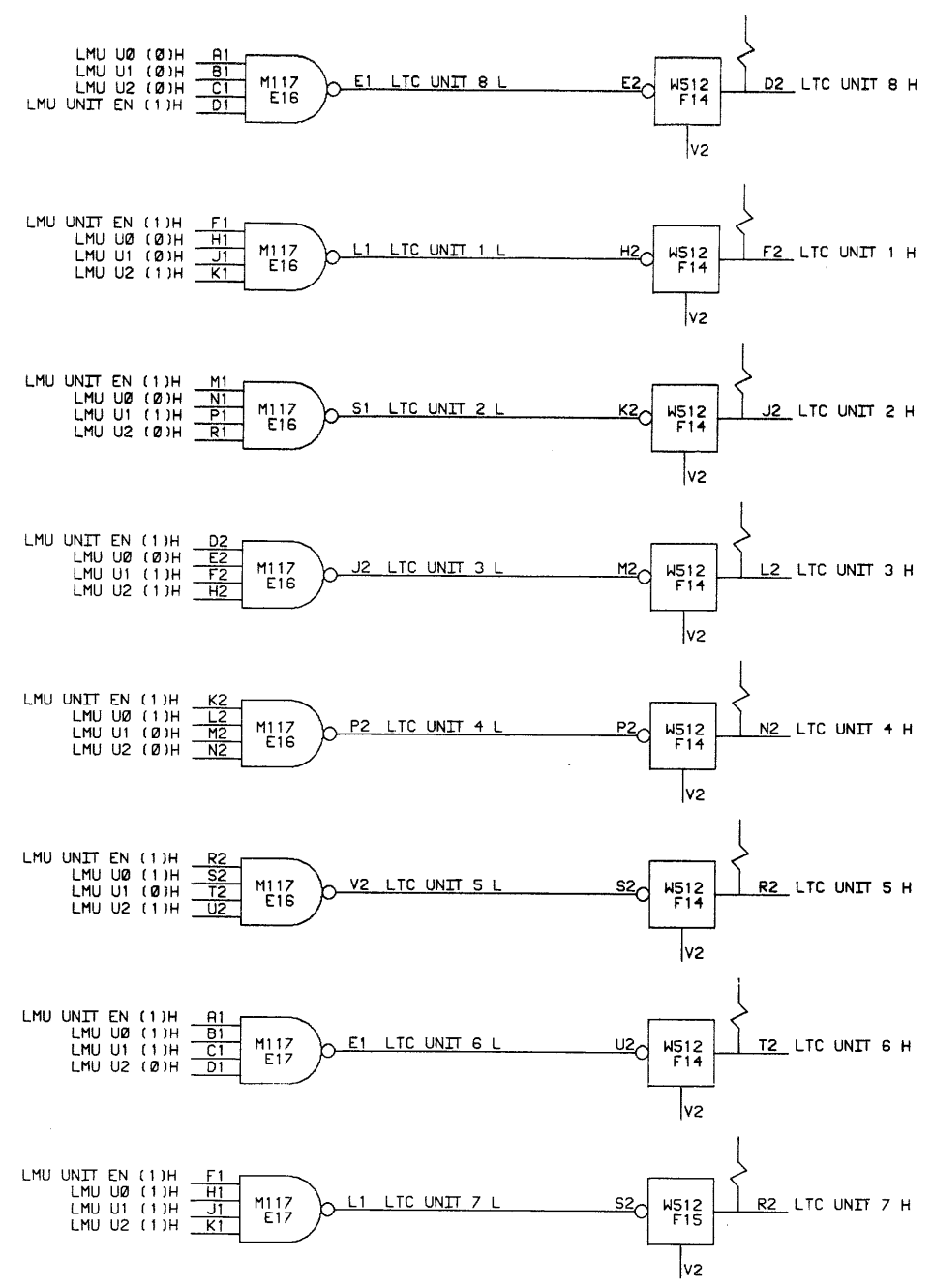
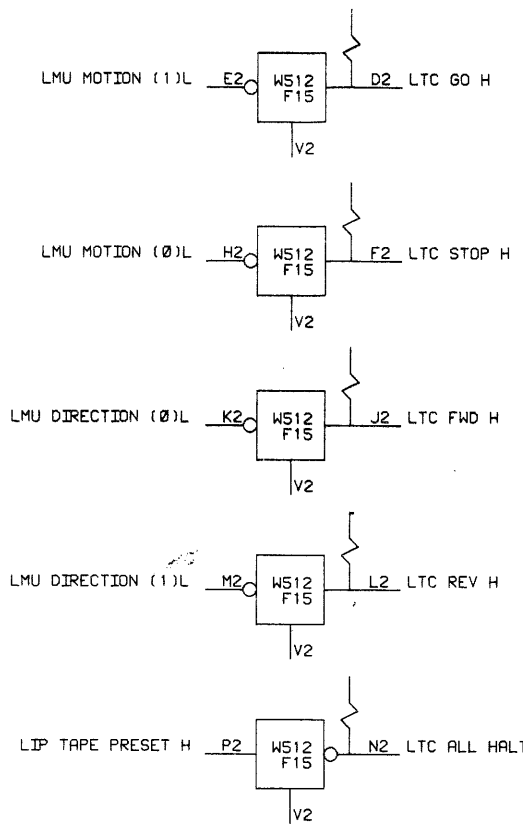
This drawing and specifications, herein, are the property of Digital Equipment Corporation and shall not be reproduced or copied or used in whole or in part as the basis for the manufacture or sale of items without written permission.



REVISIONS		
CHK	CHANGE NO.	REV.
	EM12-00007	A
	BRUCE KORTELING	
	L. GALE	

DRN.	DATE	 digital EQUIPMENT CORPORATION MAYNARD, MASSACHUSETTS
CHK'D.	DATE	
ENG.	DATE	
PROJ. ENG.	DATE	
PROD.	DATE	TITLE
FIRST USED ON		TAPE REG LOAD CONTROL
SCALE	TC12	SIZE/CODE
SHEET 1 OF 1	DIST.	NUMBER
		TC12-0-LRL
		REV.
		A

This drawing and specifications, herein, are the property of Digital Equipment Corporation and shall not be reproduced or copied in whole or in part as the basis for the manufacture or sale of items without written permission.



- W023
E05
- A2
 - B2
 - C2 LTC GO H
 - D2 LTC STOP H
 - E2 LTC FWD H
 - F2 LTC REV H
 - H2 LTC ALL HALT L
 - J2
 - K2
 - L2
 - M2 LTC UNIT 1
 - N2 LTC UNIT 2
 - P2 LTC UNIT 3
 - R2 LTC UNIT 4
 - S2 LTC UNIT 5
 - T2 LTC UNIT 6
 - U2 LTC UNIT 7
 - V2 LTC UNIT 8

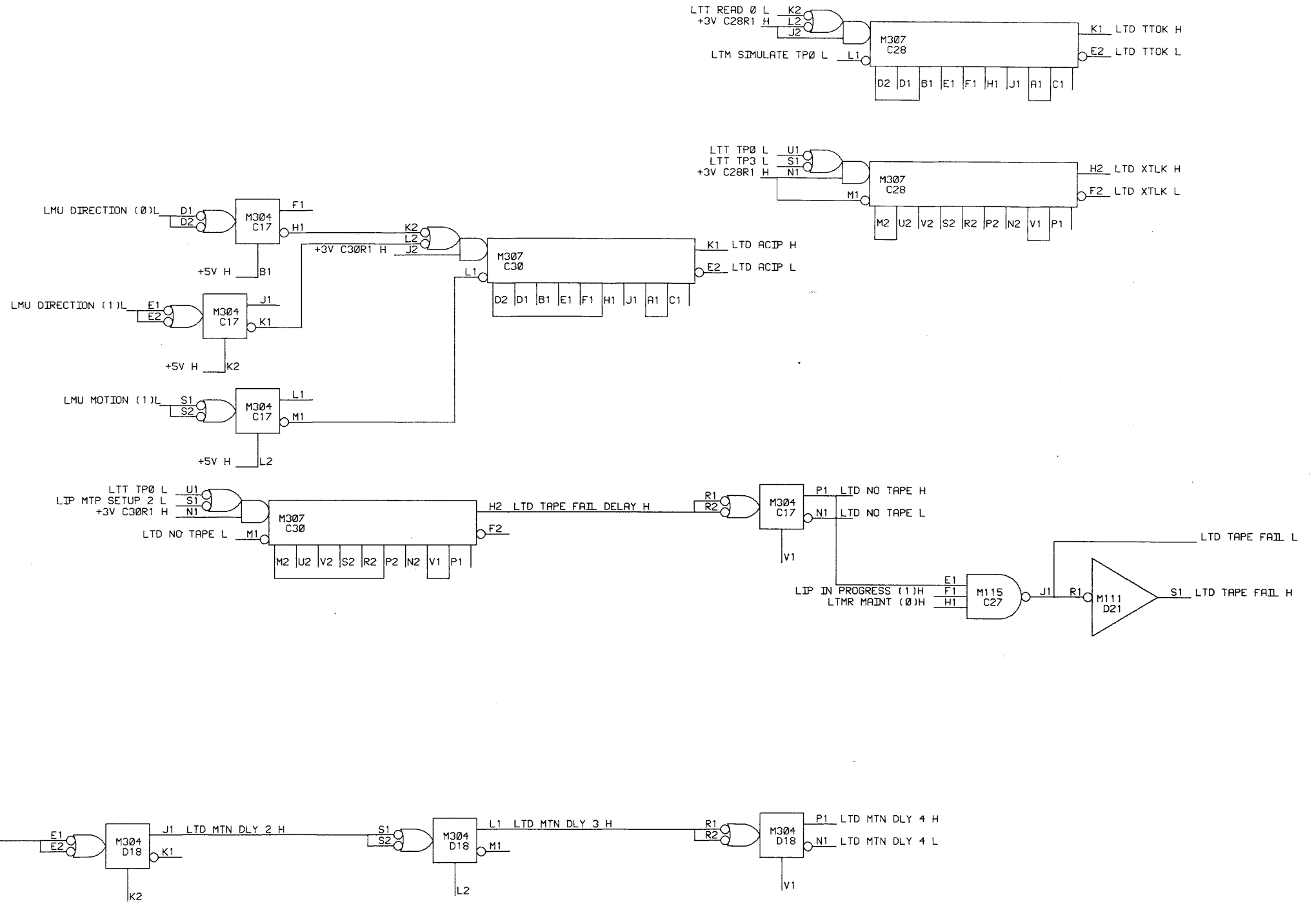
REVISIONS		
CHK	CHANGE NO.	REV.
NR	EM12-00004	B
	B VADITO	
	L GALE 8-18-69	
	EM12-00015	C

DRN.	DATE	digital EQUIPMENT CORPORATION MAYNARD, MASSACHUSETTS
D. SHEPARD	3-9-69	
CHKD.	DATE	TITLE
L. K. BITSONETE	3-9-69	
ENG.	DATE	TRANSPORT CONTROL
L. GALE	3-9-69	
PROJ. ENG.	DATE	REV.
L. GALE	3-9-69	
PROD.	DATE	C
L. GALE	3-9-69	
FIRST USED ON		
TC12	SIZE CODE	NUMBER
SCALE	D BS	TC12-0-LTC
SHEET 1 OF 1	DIST.	

This drawing and specifications, herein, are the property of Digital Equipment Corporation and shall not be reproduced or copied or used in whole or in part as the basis for the manufacture or sale of items without written permission.

DELAY SETTINGS			
DELAY	TUSS	TOLL	SWITCH SET *
TTOK	48 USEC	+ 4	5
ACIP	180 MSEC	+ 20	1
XTLX	7 USEC	+ 1	5
TAPE FAIL	300 MSEC	+ 50	1
MARK CLOCK	7.5 USEC	+ 0.3	5

* ON M307 REV.B AND GREATER-SEE B-CS-M307-0-1 FOR DETAILS.



REVISIONS			REVISIONS		
CHK	CHANGE NO.	REV.	CHK	CHANGE NO.	REV.
	EM12-00001	A	NR	EM12-00017	E
J	FASSHAUER 4/15/69		A	WASHINGTON 11-3-69	
L	GALE 4/29/69		J	SCANLAN 11-14-69	
	EM12-00002	B		EM12-00037	F
A	WASHINGTON		K	KRYSTAR	
J	SCANLAN		J	SCANLAN	
	EM12-00003	C	PC	EM12-00038	H
A	WASHINGTON				
J	SCANLAN				
	EM12-00011	D			
A	WASHINGTON				
J	SCANLAN				

DRN. D SHEPARD	DATE 3-9-69	digital EQUIPMENT CORPORATION MAYNARD, MASSACHUSETTS
CHK'D. J BISONETE	DATE 3-9-69	
ENG. L GALE	DATE 3-9-69	TITLE
PROJ. ENG. L GALE	DATE 3-9-69	TAPE DELAYS
PROD. D CALL	DATE 3-9-69	
FIRST USED ON		
SCALE	SIZE CODE D BS	NUMBER TC12-0-LTD
SHEET 1 OF 1	DIST.	REV. H

8

7

6

5

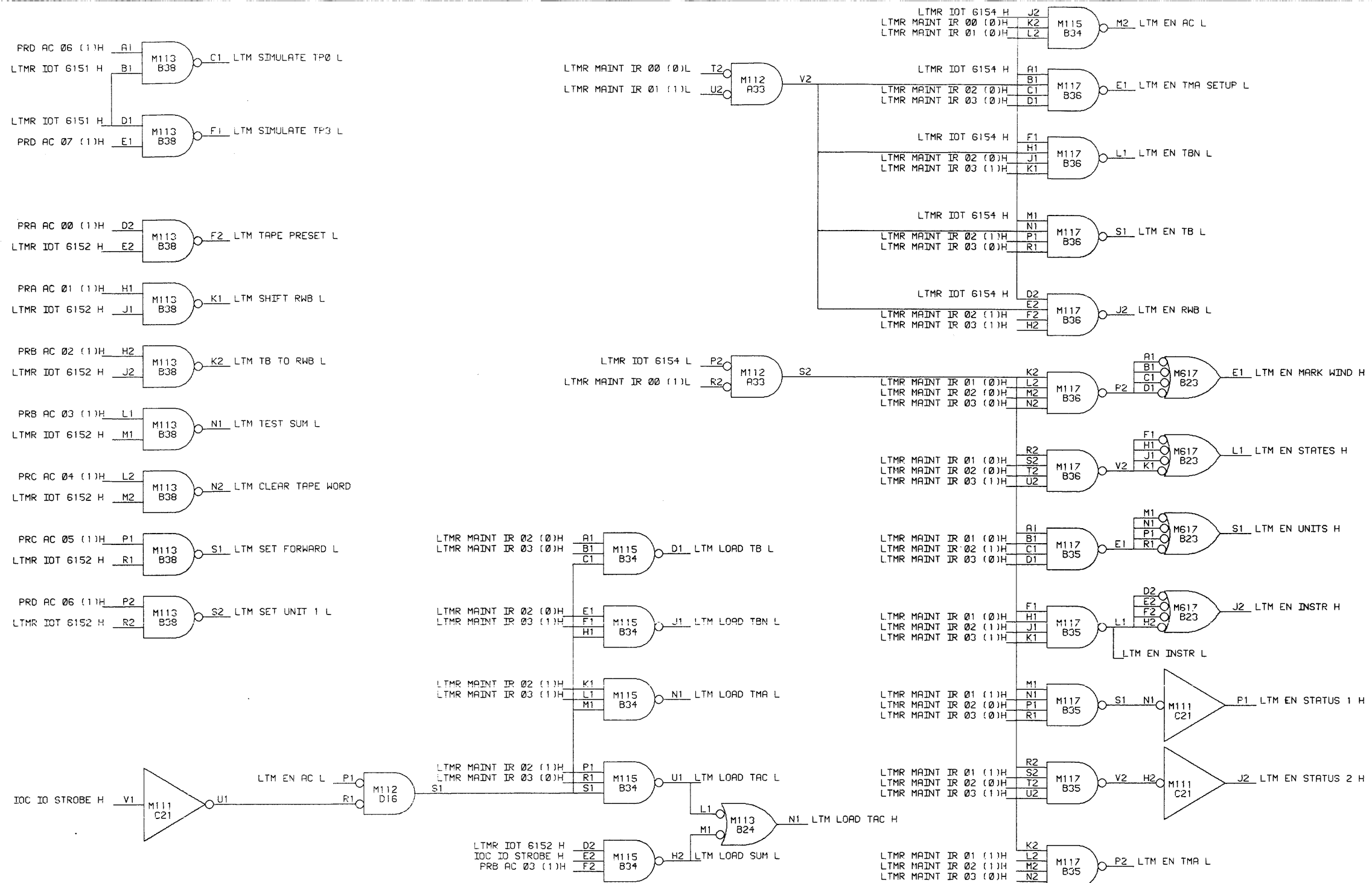
4

3

2

1

This drawing and specifications, herein, are the property of Digital Equipment Corporation and shall not be reproduced or copied or used in whole or in part as the basis for the manufacture or sale of items without written permission.



REVISIONS		
CHK	CHANGE NO.	REV.
	EM12-00003	A

DRN. D. L. SHEPARD	DATE 3-10-69	digital EQUIPMENT CORPORATION MAYNARD, MASSACHUSETTS
CHK'D. J. BISONETTE	DATE 3-10-69	
ENG. L. GALE	DATE 3-10-69	TITLE
PROJ. ENG. L. GALE	DATE 3-10-69	TAPE MAINT SIGNALS
PROD. D. CALI	DATE 3-10-69	
FIRST USED ON		
TC12	SIZE CODE D BS	NUMBER TC12-0-LTM
SCALE		REV. A
SHEET 1 OF 1	DIST.	

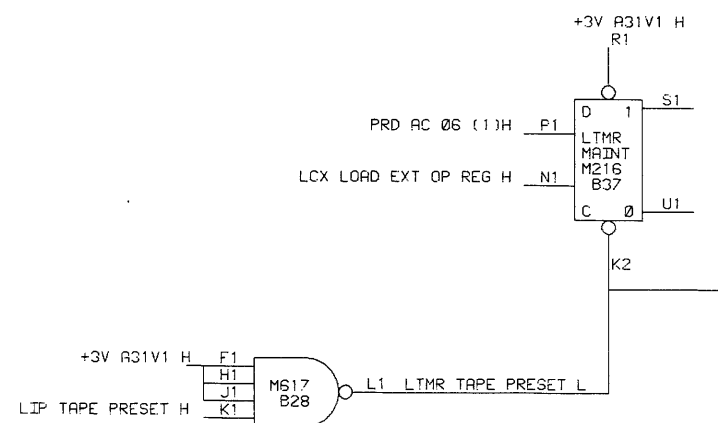
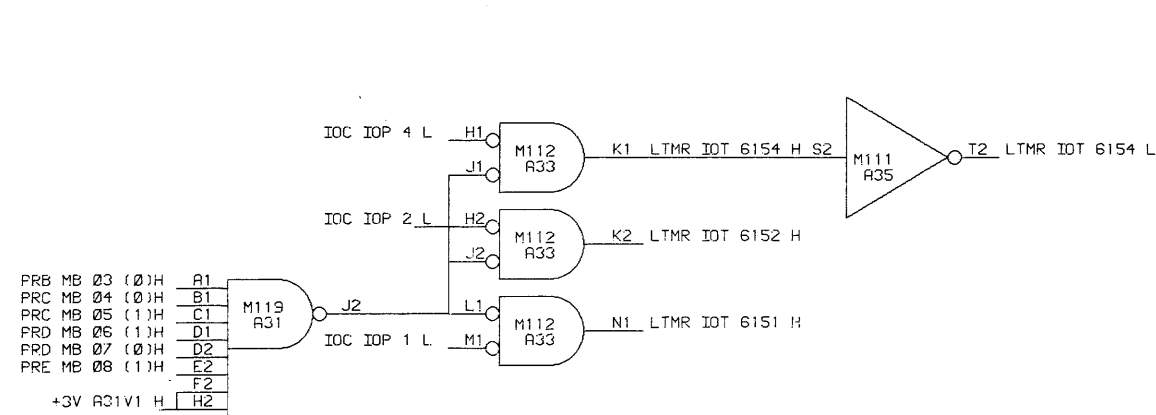
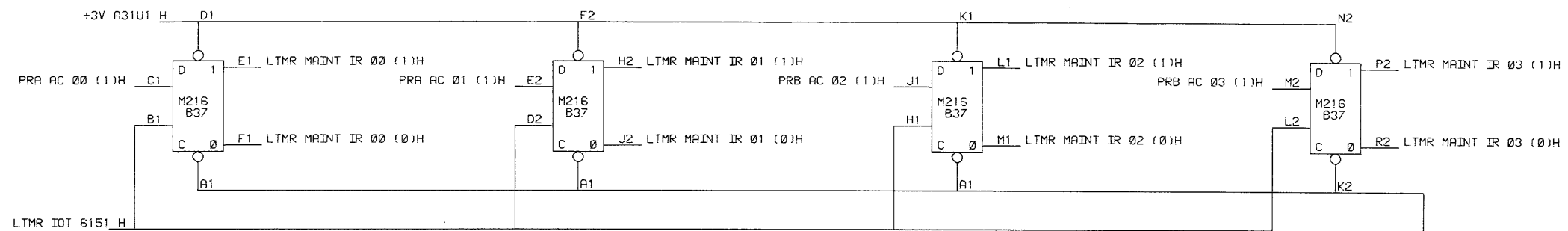
any of Digital Equipment Corporation and shall not be reproduced or copied or used in whole or in part as the basis for the manufacture or sale of items without written permission.

MSC 3 TAC TO AC
MSC I 3 AC TO TMA SETUP

IOT 6151	
AC BIT	FUNCTION
0	TO MAINT INST REG
1	TO MAINT INST REG
2	TO MAINT INST REG
3	TO MAINT INST REG
4	CLEAR TAPE DONE
5	SKIP ON TAPE DONE
6	GENERATE TT0
7	GENERATE TT3
8	SIMULATE MARK INPUT
9	SIMULATE DATA 1 INPUT
10	SIMULATE DATA 2 INPUT
11	SIMULATE DATA 3 INPUT

IOT 6152	
AC BIT	FUNCTION
0	TAPE PRESET
1	SHIFT RWB
2	TB TO RWB
3	TB + TAC TO TAC
4	0 TO TAPE WORD FF
5	SET 8 TAPE
6	SET UNIT 1
7	SET BKWRD
8	SET WRITE SYNC
9	SET 8 TAPE MOTN
10	SET 8 WRITE
11	

IOT 6154		
CONTENTS MAINT INST REG		ACTION
000	0	AC TO TB
000	1	AC TO TBN
001	0	AC TO TAC
001	1	AC TO TMA
010	0	TMA SETUP TO AC
010	1	TBN TO AC
011	0	TB TO AC
011	1	RWB TO AC
100	0	MARK WINDOW TO AC
100	1	STATES TO AC
101	0	UNITS + MTN TO AC
101	1	TINST TO AC
110	0	MISC STATUS 1 TO AC
110	1	MISC STATUS 2 TO AC
111	0	TMA TO AC
111	1	NOT USED



REVISIONS		
CHK	CHANGE NO.	REV.
	EM12-00017	A

DRN D SHEPARD	DATE 3-10-69	digital EQUIPMENT CORPORATION <small>MAYNARD, MASSACHUSETTS</small>								
CHK'D J BISONETE	DATE 3-10-69									
ENG. L GALE	DATE 3-10-69									
PROJ. ENG. L GALE	DATE 3-10-69									
PROD. D CALL	DATE 3-10-69									
TITLE TAPE MAINT REG		<table border="1"> <tr> <td>TC12</td> <td>SIZE CODE D BS</td> <td>NUMBER TC12-0-LTHR</td> <td>REV. A</td> </tr> <tr> <td>SCALE SHEET 1 OF 1</td> <td>DIST.</td> <td></td> <td></td> </tr> </table>	TC12	SIZE CODE D BS	NUMBER TC12-0-LTHR	REV. A	SCALE SHEET 1 OF 1	DIST.		
TC12	SIZE CODE D BS		NUMBER TC12-0-LTHR	REV. A						
SCALE SHEET 1 OF 1	DIST.									

8

7

6

5

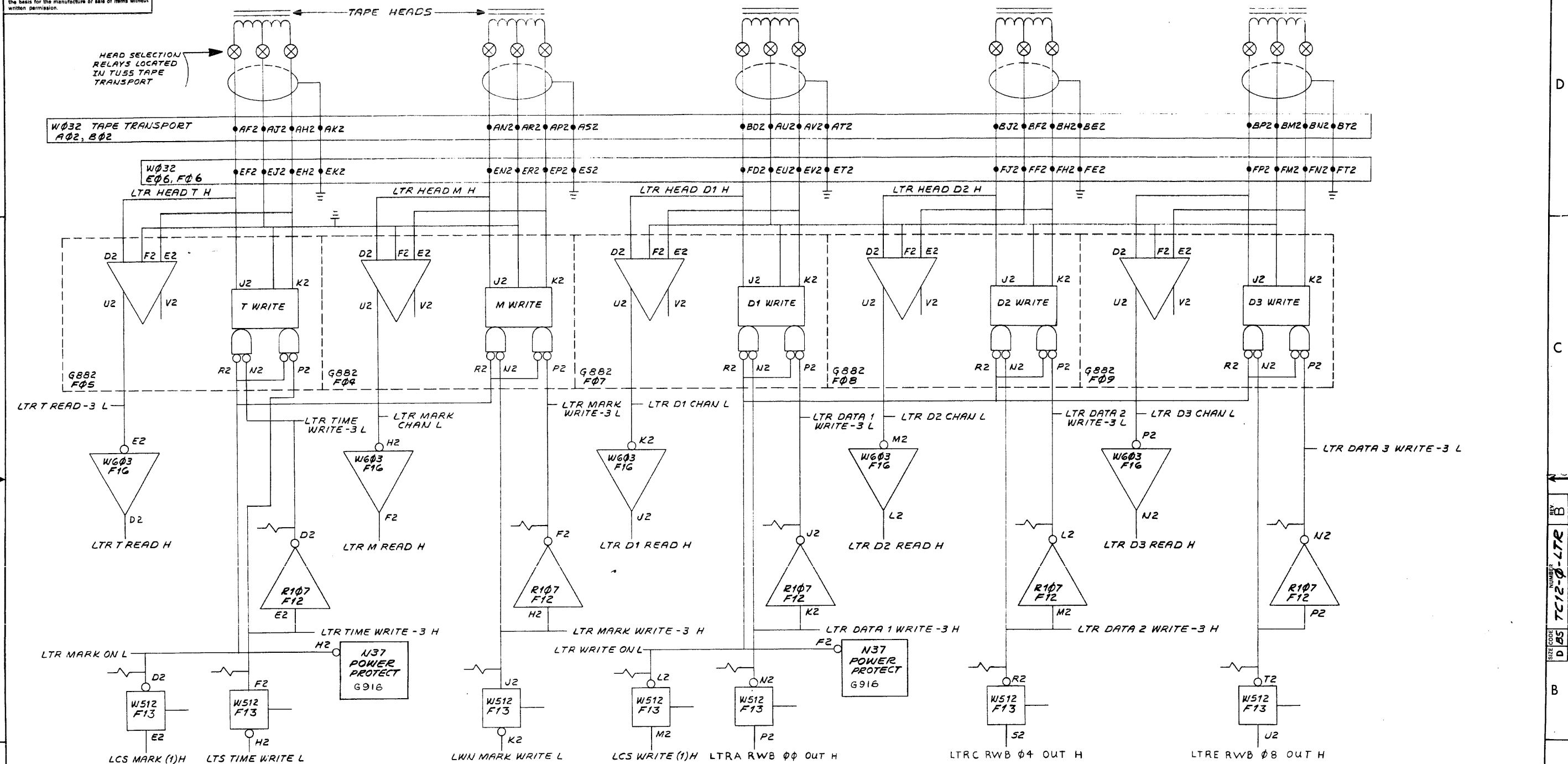
4

3

2

1

This drawing and specifications herein are the property of Digital Equipment Corporation and shall not be reproduced, copied or used in whole or in part as the basis for the manufacture or sale of items without written permission.

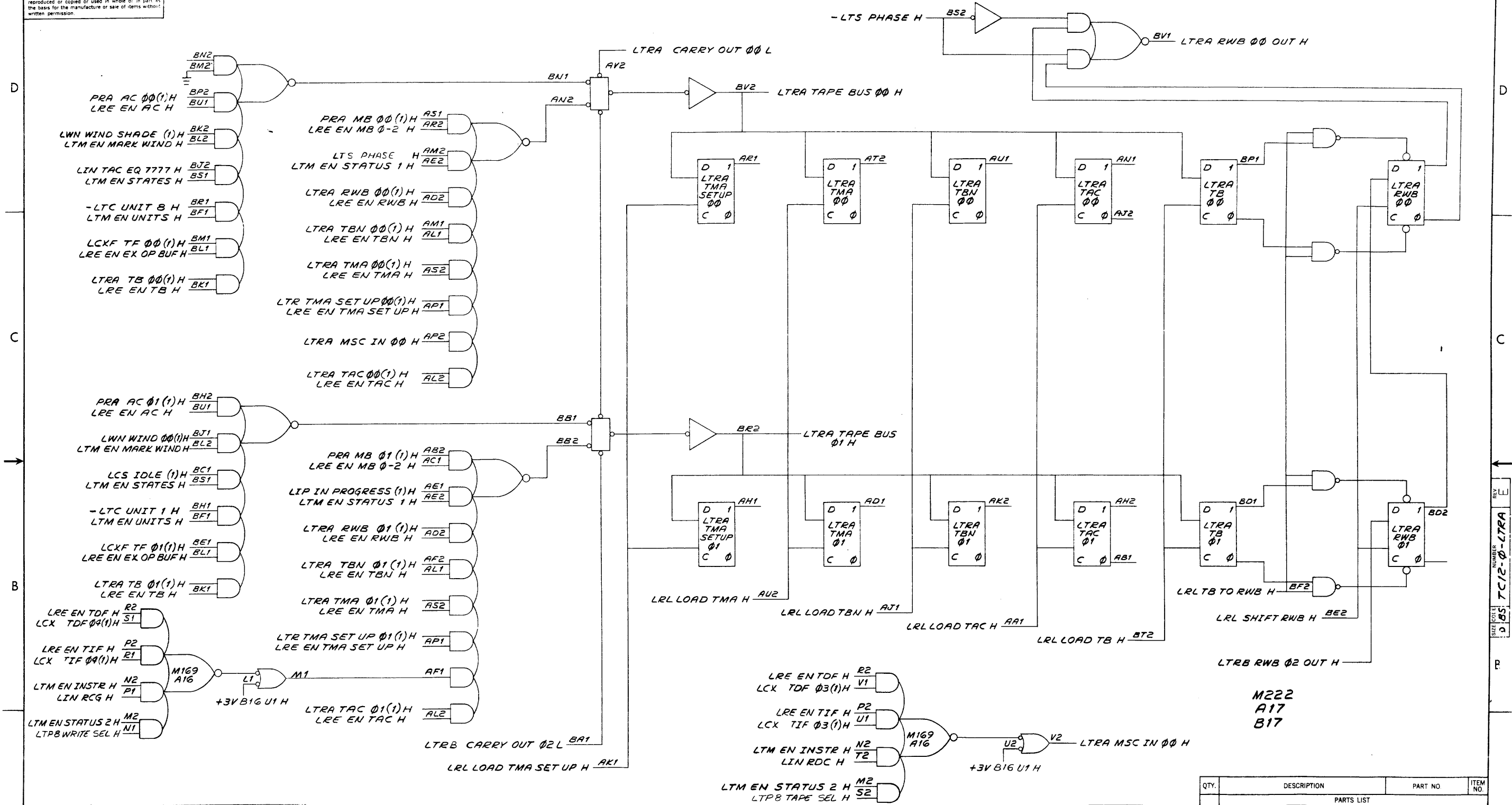


REV.	CHG. NO.	DATE	BY
1	0002	6/18/69	L. GALE
2	0003	6/22/69	L. GALE
3	0004	8/2/69	L. GALE

SEC FORM NO. DRD 102A

QTY.	DESCRIPTION	PART NO.	ITEM NO.
PARTS LIST			
UNLESS OTHERWISE SPECIFIED		DRN: Joe Oprea	
DIMENSION IN INCHES		DATE: 21 AUG 68	
TOLERANCES		CHKD: John Lee	
DECIMALS FRACTIONS ANGLES		DATE: 2/27/69	
± .005 ± 1/64 ± 0°30'		ENG: [Signature]	
FINAL SURFACE QUALITY		DATE: [Signature]	
REMOVE BURRS AND BREAK SHARP CORNERS		PROJ. ENG: [Signature]	
MATERIAL		DATE: 7/29/68	
FINISH		FIRST USED ON	
SCALE		TC12	
SHEET 1 OF 1		SIZE CODE	
		D BS	
		NUMBER	
		TC12-φ-LTR	
		REV.	
		B	

This drawing and specifications herein are the property of Digital Equipment Corporation and shall not be reproduced or copied or used in whole or in part as the basis for the manufacture or sale of items without written permission.

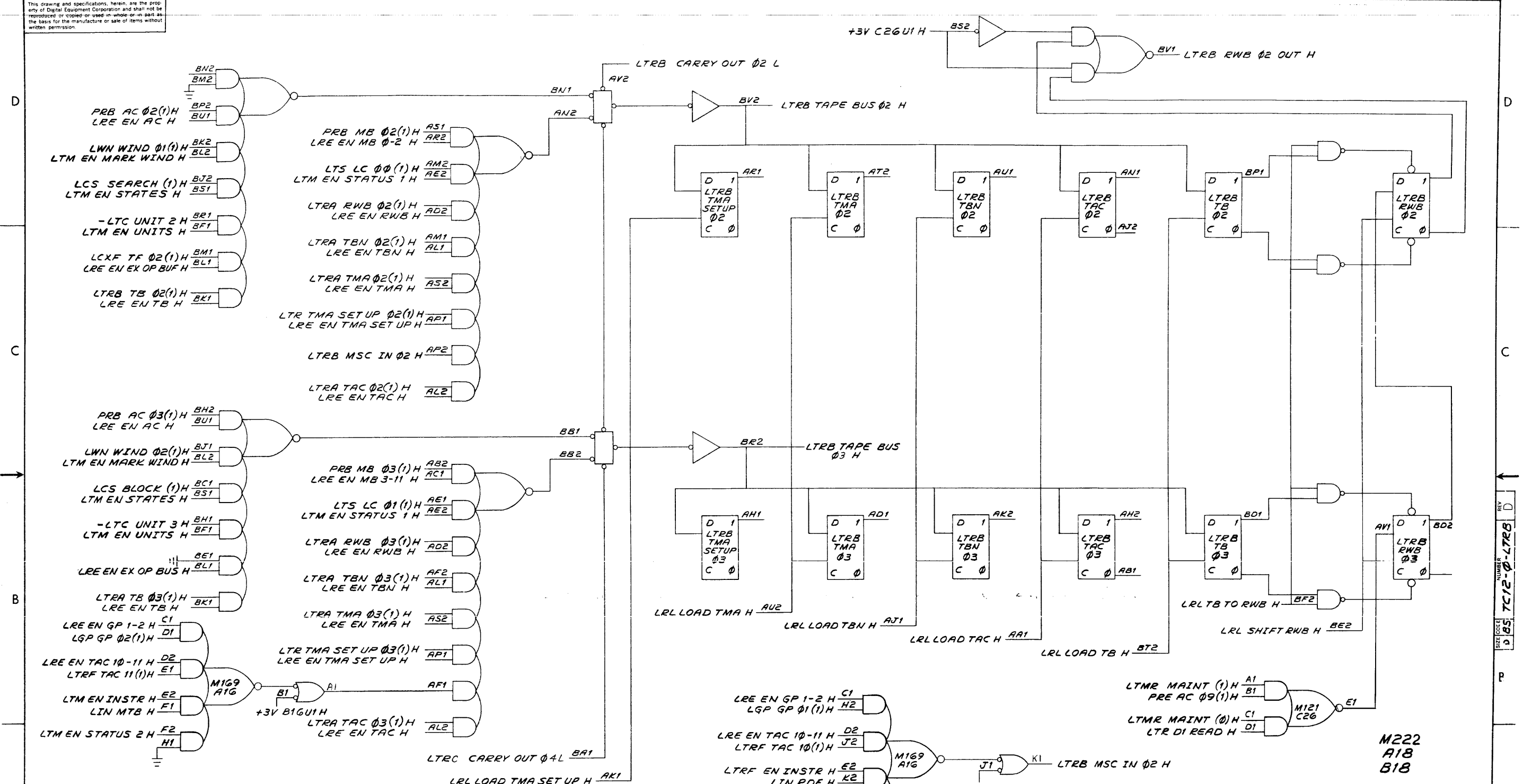


REV	NO	DATE	BY	CHKD
A	1	12-8-68	J. GALE	J. GALE
B	2	2/27/69	J. GALE	J. GALE
C	3	2/28/69	J. GALE	J. GALE
D	4	3/10/69	J. GALE	J. GALE
E	5	3/10/69	J. GALE	J. GALE
F	6	3/10/69	J. GALE	J. GALE
G	7	3/10/69	J. GALE	J. GALE
H	8	3/10/69	J. GALE	J. GALE

SEC FORM NO. 1024
8 7 6 5 4 3 2 1

QTY.	DESCRIPTION	PART NO.	ITEM NO.
	PARTS LIST		
	UNLESS OTHERWISE SPECIFIED		
	DIMENSION IN INCHES		
	TOLERANCES		
	DECIMALS FRACTIONS ANGLES		
	± .005 ± .005 ± .030		
	FINAL SURFACE QUALITY		
	REMOVE BURRS AND BREAK SHARP CORNERS		
	MATERIAL		
	FINISH		
	SCALE		
	SHEET 1 OF 1		
	DISTRIBUTION		
	TITLE		
	LTRA BITS 0 & 1		
	FIRST USED ON		
	TC12		
	DRAWN		
	DATE		
	12-8-68		
	CHECKED		
	DATE		
	2/27/69		
	ENGR.		
	DATE		
	2/28/69		
	PROD. ENGR.		
	DATE		
	2/28/69		
	PROD.		
	DATE		
	2/28/69		
	REVISION		
	NUMBER		
	DISTRIBUTION		
	DIST		

This drawing and specifications, herein, are the property of Digital Equipment Corporation and shall not be reproduced or copied in whole or in part as the basis for the manufacture or sale of items without written permission.



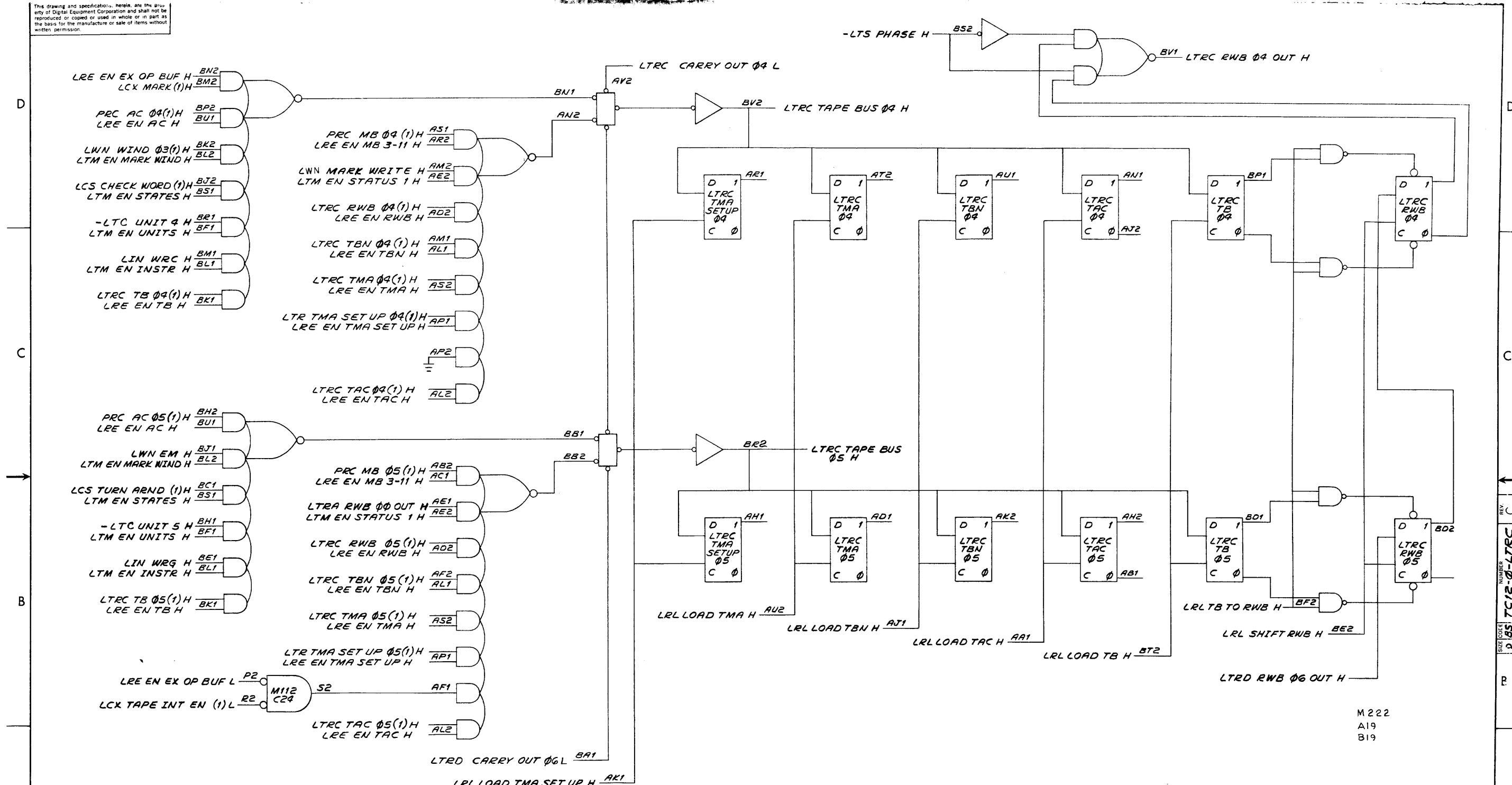
REV.	NO.	DATE	BY	CHKD.
A	00002		J. Quillin	
B	00003		L. Gale	
C	00009		L. Gale	
D	00015		L. Gale	

QTY.	DESCRIPTION	PART NO.	ITEM NO.
PARTS LIST			
UNLESS OTHERWISE SPECIFIED			
DIMENSION IN INCHES			
TOLERANCES			
DECIMALS FRACTIONS ANGLES			
= .005 ±.184 = 0°30'			
FINAL SURFACE QUALITY			
REMOVE BURRS AND BREAK SHARP CORNERS			
MATERIAL			
FINISH			
DRN. DATE 12-8-68		DATE 2/17/69	
CHKD. DATE 2/17/69		DATE 2/18/69	
ENG. DATE 2/18/69		DATE 2/18/69	
PROB. DATE 2/18/69		DATE 2/18/69	
TITLE			
LTRB BITS 2 & 3			
FIRST USED ON		SIZE CODE	
TC12		D B5	
SCALE		NUMBER	
SHEET / OF /		TC12-0-LTRB	
DIST.		REV	
		D	

REV. D
 NUMBER D B5
 TC12-0-LTRB

M222
 A18
 B18

This drawing and specifications, herein, are the property of Digital Equipment Corporation and shall not be reproduced or copied or used in whole or in part as the basis for the manufacture or sale of items without written permission.

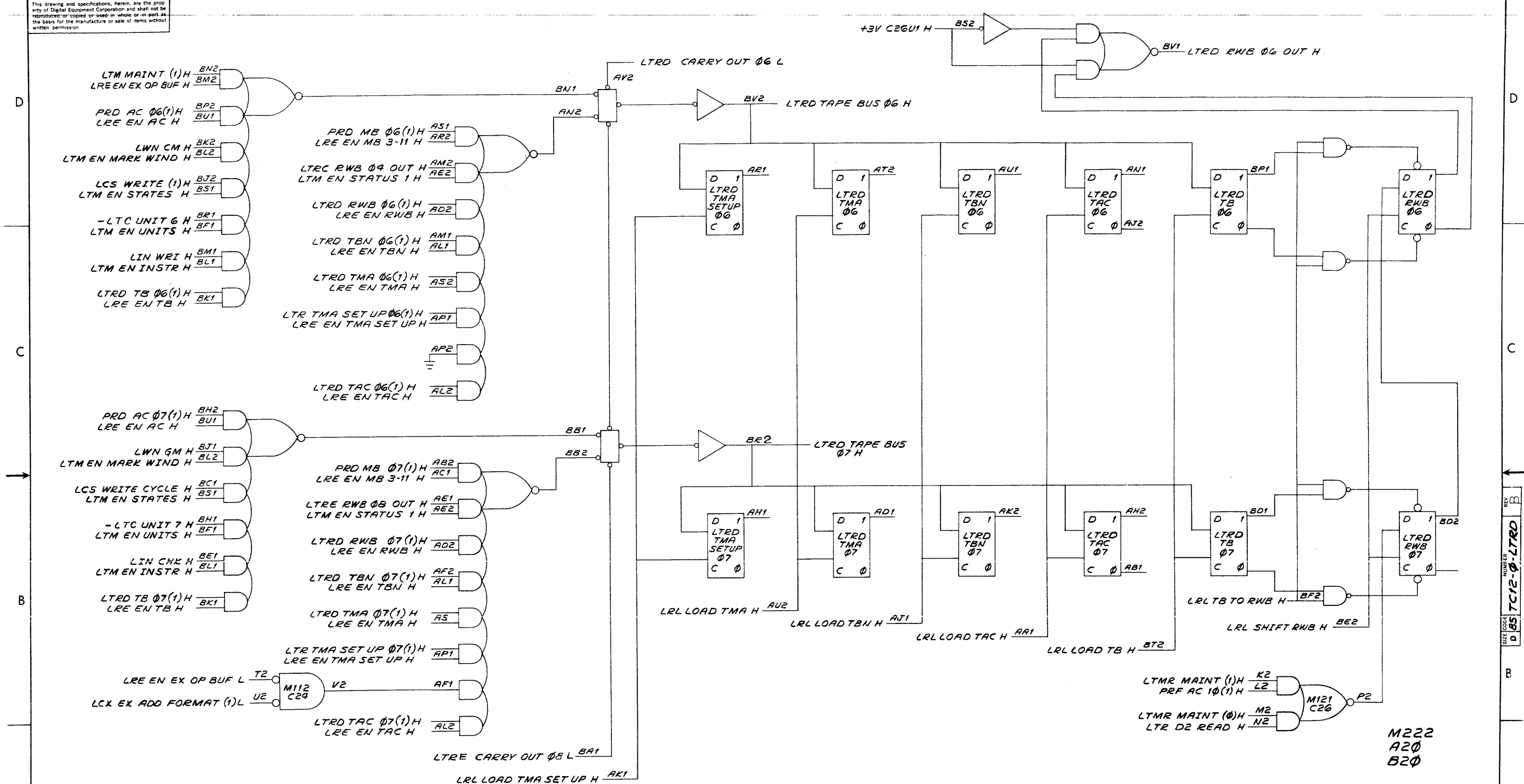


REV	DATE	BY	CHK
A	12-8-68	L. GALE	EM12-00030
B	2-27-69	L. GALE	EM12-00030
C	2-28-69	L. GALE	EM12-00030
D	2-28-69	L. GALE	EM12-00030

DEC FORM NO. DRD 102A

QTY.	DESCRIPTION	PART NO.	ITEM NO.
	PARTS LIST		
	UNLESS OTHERWISE SPECIFIED		
	DIMENSION IN INCHES		
	TOLERANCES		
	DECIMALS FRACTIONS ANGLES		
	± .005 ± 1/64 ± 0°30'		
	FINAL SURFACE QUALITY		
	REMOVE BURRS AND BREAK SHARP CORNERS		
	MATERIAL		
	FINISH		
	UNLESS OTHERWISE SPECIFIED		
	DRN. DATE		
	CHKD. DATE		
	ENGR. DATE		
	PROJ. ENGR. DATE		
	PROD. DATE		
	FIRST USED ON		
	SCALE		
	SHEET / OF /		
	TITLE		
	LTRC BITS 4 & 5		
	SIZE(CODE) NUMBER REV		
	DBS TC12-0-LTRC C		

This drawing and specifications, herein, are the property of Digital Equipment Corporation and shall not be reproduced or copied or used in whole or in part as the basis for the manufacture or sale of items without written permission.



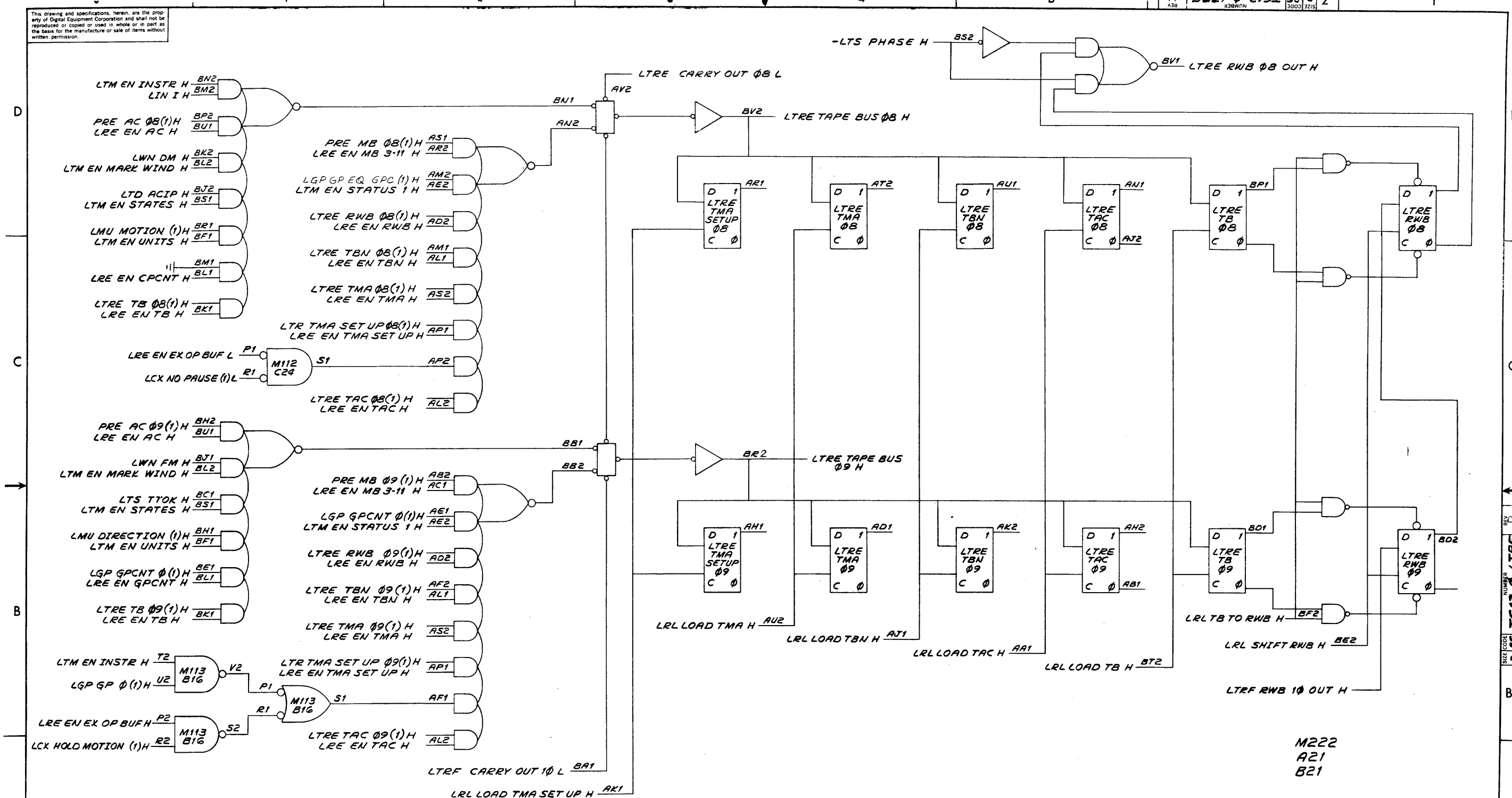
REV	CHANGE NO.	BY	DATE
1	0002	GALE	2-3-69
2	0003	GALE	2-3-69

QTY.	DESCRIPTION	PART NO.	ITEM NO.
PARTS LIST			
UNLESS OTHERWISE SPECIFIED		DRN	DATE
DIMENSION IN INCHES		DATE	DATE
TOLERANCES		DATE	DATE
DECIMALS	FRACTIONS	ANGLES	DATE
± .005	± 1/64	± 0°30'	DATE
FINAL SURFACE QUALITY			
REMOVE BURRS AND BREAK SHARP CORNERS			
MATERIAL		FIRST USED ON	
FINISH		SCALE	
		SHEET	OF
		TITLE	
		LTRD BITS 6 & 7	
		SIZE CODE	NUMBER
		D 85	TC12-0-LTRD
		DIST.	REV
			B

M222
A20
B20

REV B
NUMBER
D 85 TC12-0-LTRD

This drawing and specifications, herein, are the property of Digital Equipment Corporation and shall not be reproduced or copied or used in whole or in part as the basis for the manufacture or sale of items without written permission.



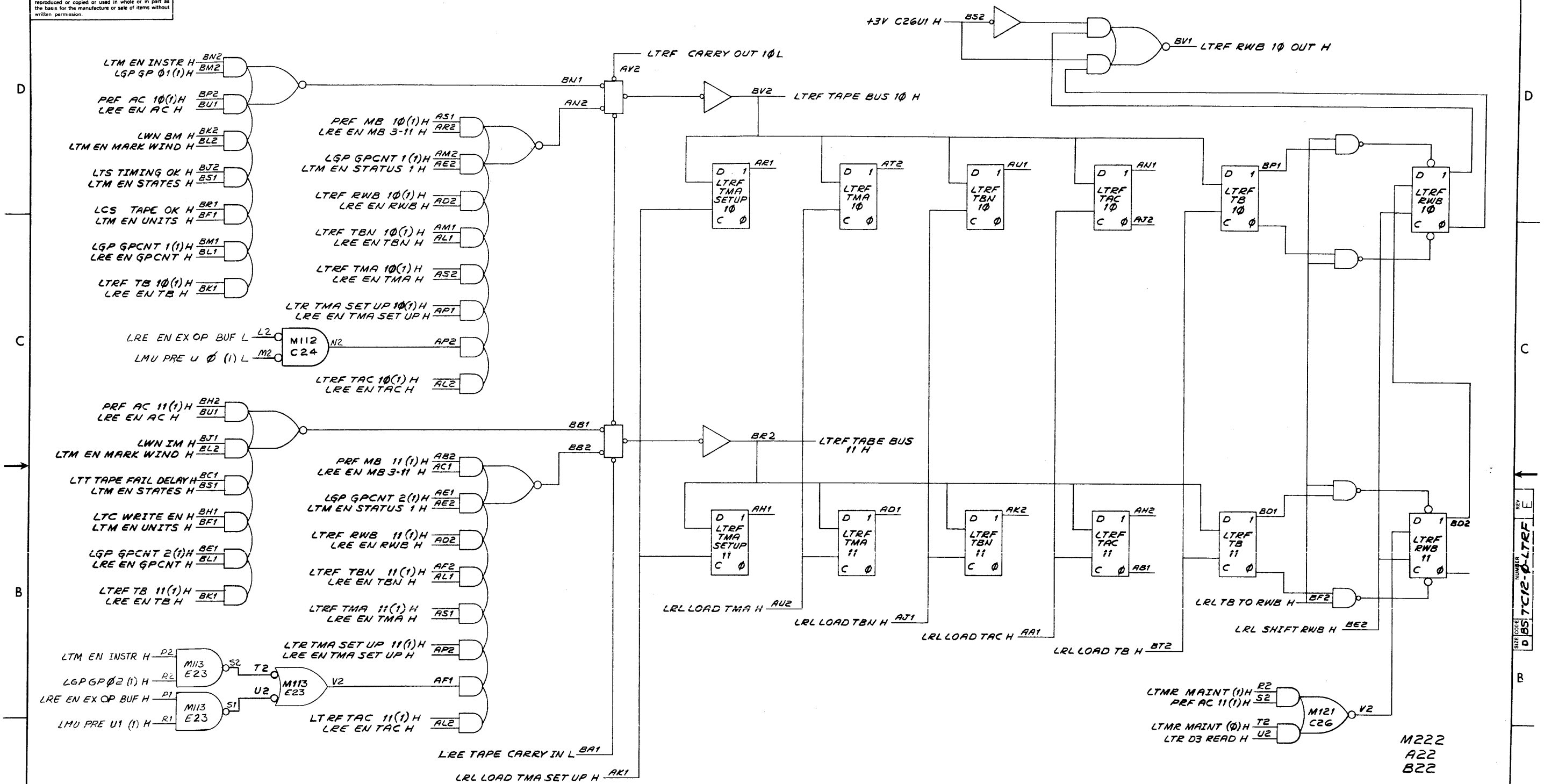
M222
A21
B21

REV.	CHG. NO.	DATE	BY	CHKD.
A	00002	6/18/69	GALE	WILLIAM
B	00007	11-5-65		
C	00008	11-5-65		

QTY.	DESCRIPTION	PART NO.	ITEM NO.
	PARTS LIST		
	UNLESS OTHERWISE SPECIFIED		
	DIMENSION IN INCHES		
	TOLERANCES		
	DECIMALS FRACTIONS ANGLES		
	± .005 ± 1/64 ± 0°30'		
	FINAL SURFACE QUALITY		
	REMOVE BURRS AND BREAK SHARP CORNERS		
	MATERIAL		
	FINISH		
	SCALE		
	SHEET / OF /		
	DISTR.		
	DATE 12-8-68		
	DATE 2/2/69		
	DATE 2-29-69		
	DATE 2-18-69		
	DATE 2/28/69		
	FIRST USED ON TC12		
	TITLE LTRF BITS 8&9		
	DIGITAL EQUIPMENT CORPORATION		
	MAYNARD, MASSACHUSETTS		
	SIZE CODE D85		
	NUMBER TC12-0-LTRF		
	REV. B		

DEC FORM NO. DRD 1024

This drawing and specifications, herein, are the property of Digital Equipment Corporation and shall not be reproduced or copied or used in whole or in part as the basis for the manufacture or sale of items without written permission.



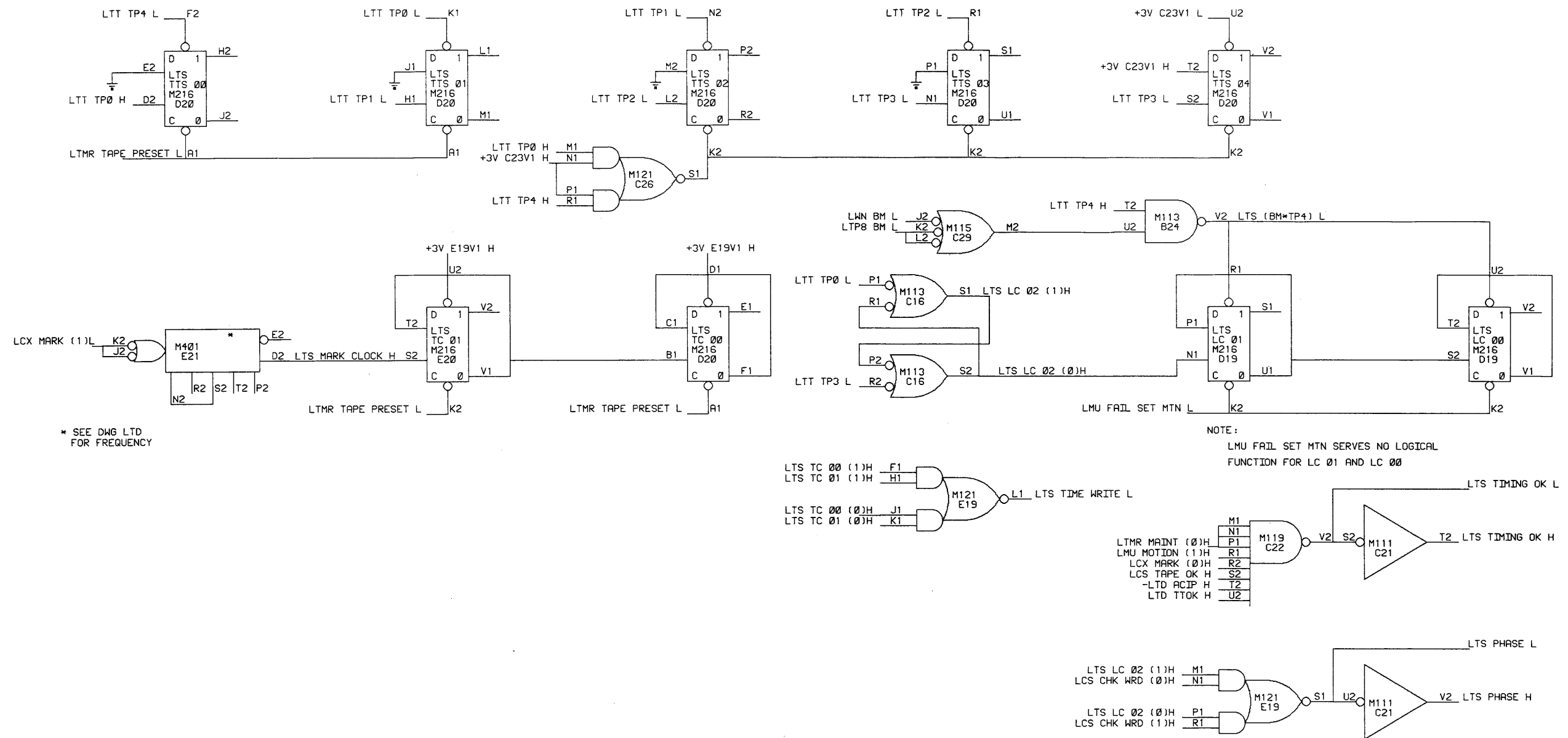
REV.	CHANGE NO.	BY	DATE
A	00002	T. GALE	11-11-69
B	00003	T. GALE	11-11-69
C	00005	T. GALE	11-11-69
D	00007	T. GALE	11-11-69
E	00009	T. GALE	11-11-69

QTY.	DESCRIPTION	PART NO.	ITEM NO.
	PARTS LIST		
	UNLESS OTHERWISE SPECIFIED		
	DIMENSION IN INCHES		
	TOLERANCES		
	DECIMALS FRACTIONS ANGLES		
	= .005 ± 1/64 ± 0°30'		
	FINAL SURFACE QUALITY		
	REMOVE BURRS AND BREAK SHARP CORNERS		
	MATERIAL		
	FINISH		
	UNLESS OTHERWISE SPECIFIED		
	DRN	DATE	12-8-68
	CHK	DATE	2/27/69
	ENG	DATE	2-28-69
	PRO/E	DATE	3-18-69
	PROB	DATE	7/1/69
	FIRST USED ON		
	TC12		
	SCALE		
	SHEET	OF	
	TITLE		
	LTRF BITS 10 & 11		
	SIZE CODE	NUMBER	REV
	D BS	TC12-0-LTRF	E

M222
 A22
 B22

REV. E
 NUMBER 3200 3200
 SIZE CODE D
 TITLE LTRF

This drawing and specifications, herein, are the property of Digital Equipment Corporation and shall not be reproduced or copied or used in whole or in part as the basis for the manufacture or sale of items without written permission.



* SEE DWG LTD FOR FREQUENCY

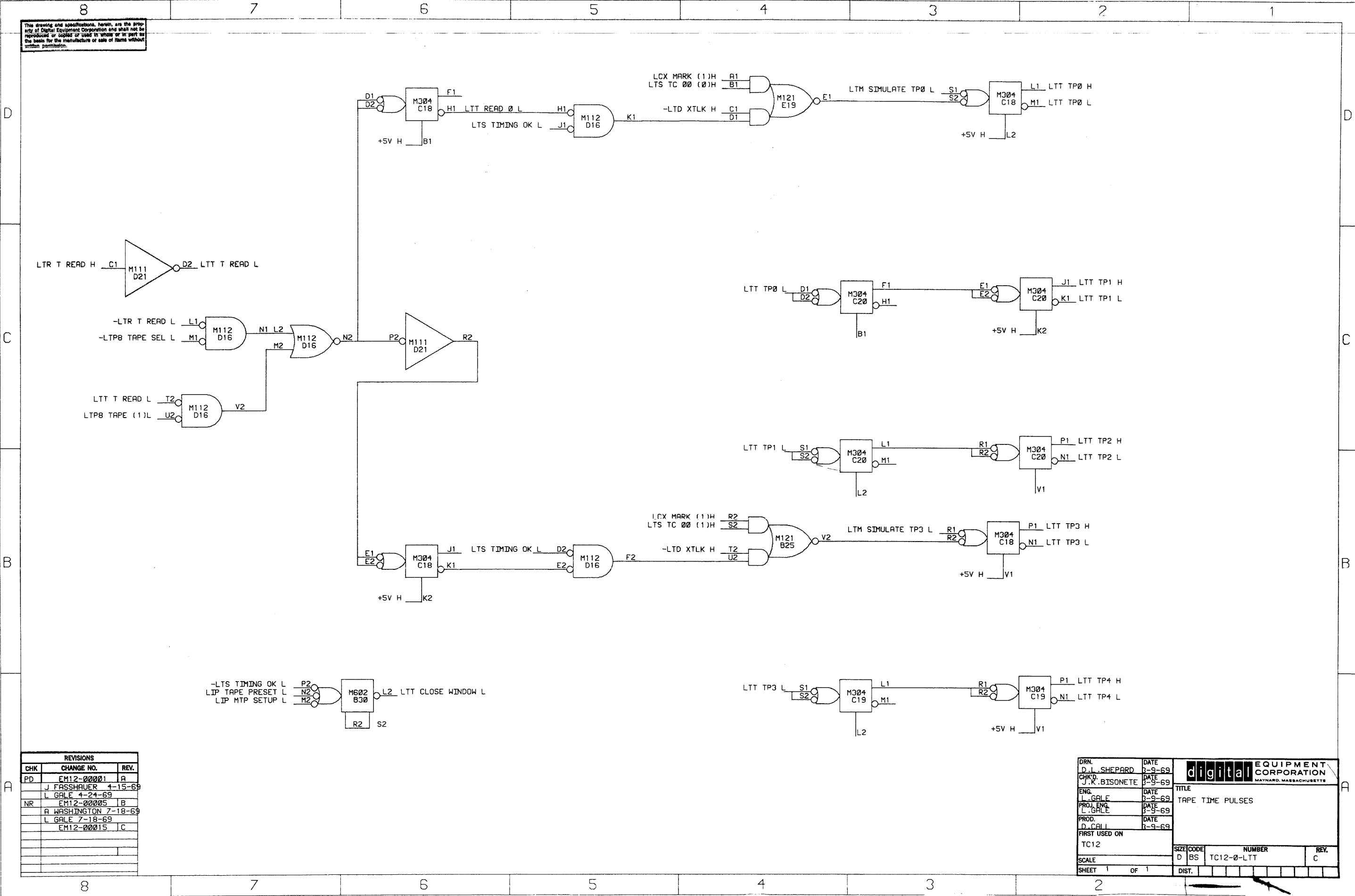
NOTE:
LMU FAIL SET MTN SERVES NO LOGICAL FUNCTION FOR LC 01 AND LC 00

REVISIONS		
CHK	CHANGE NO.	REV.
	EM12-00002	A
J	SCANLAN 6-18-69	
A	WASHINGTON 6-5-69	
NR	EM12-00003	B
A	WASHINGTON 7-69	
J	SCANLAN 7-8-69	
hd	EM12-00015	C
K	80000	
J	SCANLAN	
hd	EM12-00022	D
	Case 112-170	
	Rev. 1-14-70	

DRN.	D. I. SHEPARD	DATE	8-9-69	digital EQUIPMENT CORPORATION MAYNARD, MASSACHUSETTS
CHK'D.	J. K. BISONETE	DATE	8-9-69	
ENG.	L. GALE	DATE	8-9-69	
PROJ. ENG.	L. GALE	DATE	8-9-69	
PROD.	D. CALL	DATE	8-9-69	
FIRST USED ON				TITLE
TC12				TAPE STATES
SCALE	D BS	SIZE CODE	NUMBER	REV.
SHEET 1 OF 1	DIST.		TC12-0-LTS	D

8 7 6 5 4 3 2 1

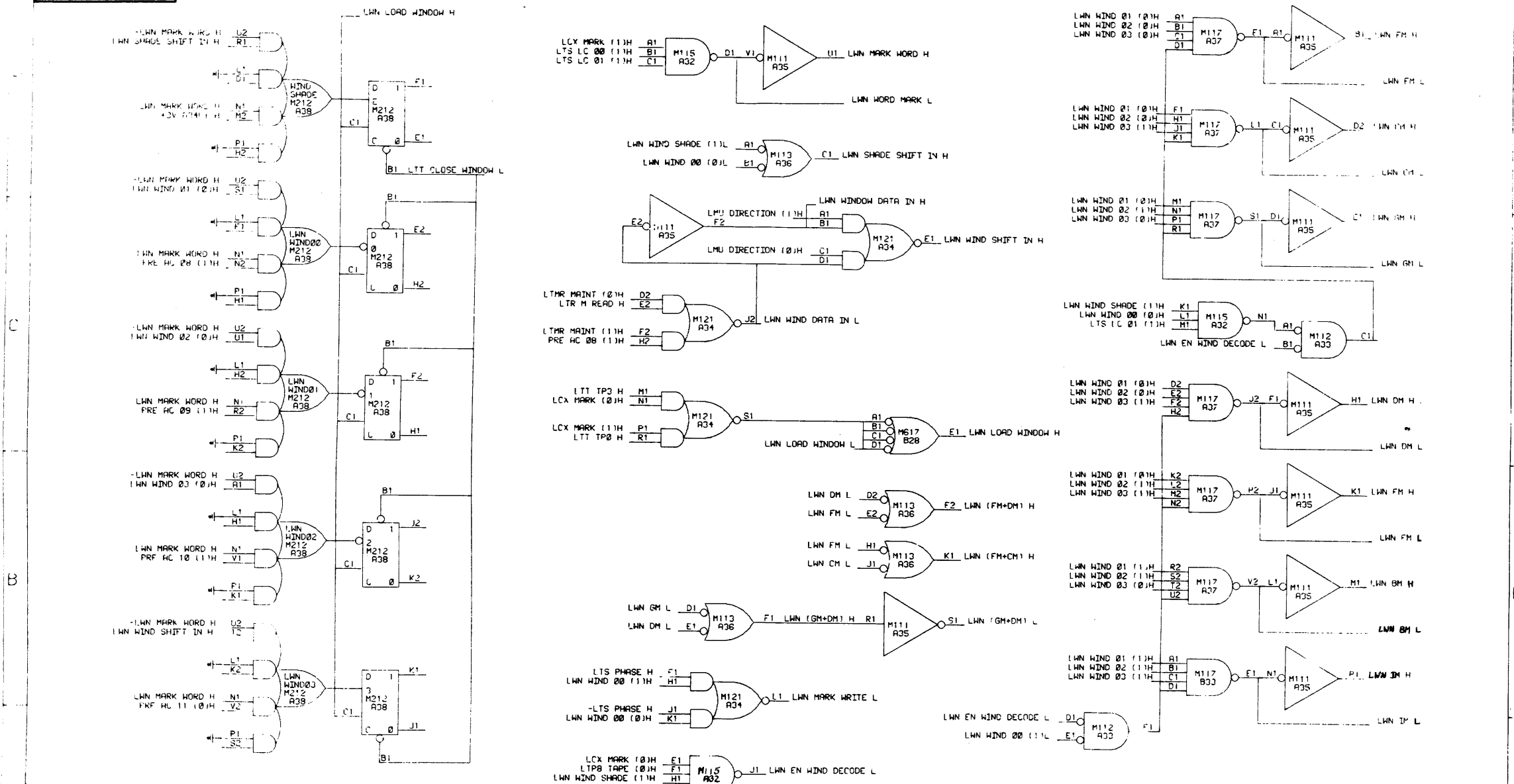
This drawing and specifications, herein, are the property of Digital Equipment Corporation and shall not be reproduced or copied in whole or in part as the basis for the manufacture or sale of items without written permission.



REVISIONS		
CHK	CHANGE NO.	REV.
PD	EM12-00001	A
J	FASSHAWER	4-15-69
L	GALE	4-24-69
NR	EM12-00005	B
A	WASHINGTON	7-18-69
L	GALE	7-18-69
	EM12-00015	C

DRN. D. L. SHEPARD	DATE 2-9-69	 digital EQUIPMENT CORPORATION MAYNARD, MASSACHUSETTS
CHK'D. J. K. BISONETE	DATE 3-9-69	
ENG. L. GALE	DATE 2-9-69	TITLE TAPE TIME PULSES
PROJ. ENG. L. GALE	DATE 1-9-69	
PROD. D. CALL	DATE 3-9-69	
FIRST USED ON TC12		
SCALE D BS	SIZE CODE D BS	NUMBER TC12-0-LTT
SHEET 1 OF 1	DIST.	REV. C

This drawing and specifications, herein, are the property of Digital Equipment Corporation and shall not be reproduced or copied in whole or in part without the written permission of the manufacturer.



REVISIONS		
CHK	CHANGE NO.	REV.
NR	EM12-00005	A
	J. FRASCHLER 4-15-69	
	L. GALE 4-29-69	
	EM12-00015	B
	KEN BOGGS 10-14-69	
	J. SCANLON 10-17-69	
NR	EM12-00022	C
	A. WASHINGTON 12-13-69	
	J. SCANLON 3-16-70	
	EM12-00041	D
	J. SCANLON 4-16-70	

D. SHEPARD	3-9-69	EQUIPMENT CORPORATION MAYNARD, MASSACHUSETTS
B. BISONETE	3-9-69	
L. GALE	3-9-69	
L. GALE	3-9-69	
D. CHILL	3-9-69	
PART USED ON TC12		TITLE TAPE MARK WINDOW
NO. IN STOCK	QUANTITY	REV.
D 05	TC12-B-LWN	D
SHEET 1 OF 1		

BLANK PAGE